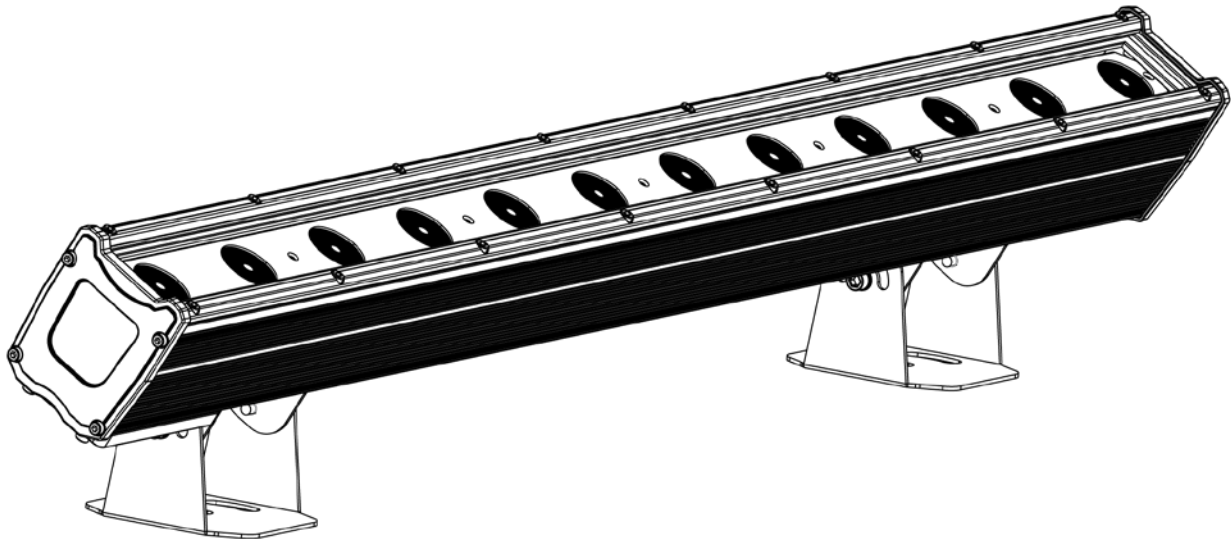


# COLOrband PiX™ IP

## *User Manual*



**CHAUVET®**

---

# TABLE OF CONTENTS

<b>1. Before You Begin</b> .....	<b>3</b>
What Is Included .....	3
Unpacking Instructions.....	3
Claims.....	3
Text Conventions .....	3
Icons.....	3
Disclaimer .....	3
Product at a Glance .....	4
Safety Notes.....	4
<b>2. Introduction</b> .....	<b>5</b>
Product Overview.....	5
Product Dimensions .....	5
<b>3. Setup</b> .....	<b>6</b>
AC Power .....	6
Power Linking.....	6
Mounting .....	7
Orientation .....	7
Rigging.....	7
<b>4. Operation</b> .....	<b>8</b>
Control Panel Operation.....	8
Menu Map .....	8
Configuration (DMX) .....	8
DMX Personalities and Starting Address .....	9
DMX Channel Assignments and Values .....	9
7-CH.....	9
3-CH.....	9
4-CH.....	9
6-CH.....	10
COLORband PiX™ IP Zones for DMX Control (6-CH).....	10
9-CH.....	10
COLORband PiX™ IP Zones for DMX Control (9-CH).....	10
12CH.....	11
COLORband PiX™ IP Zones for DMX Control (12CH).....	11
18CH.....	11
COLORband PiX™ IP Zones for DMX Control (18CH).....	11
36CH.....	12
COLORband PiX™ IP Zones for DMX Control (36CH).....	12
Configuration (Standalone) .....	13
Static Color Mode.....	13
Automatic Mode .....	13
Custom Static Color Mode .....	13
Touch Control Panel Lock.....	13
Master/Slave Mode .....	14
<b>5. Technical Information</b> .....	<b>15</b>
Product Maintenance .....	15
<b>6. Technical Specifications</b> .....	<b>16</b>
Returns.....	17
<b>Contact Us</b> .....	<b>18</b>

# 1. BEFORE YOU BEGIN

## What Is Included

- 1 x COLORband PiX™ IP
- 1 x DMX In Adapter
- 1 x DMX Out Adapter
- 1 x Power Cord
- 1 x Warranty Card
- 1 x Quick Reference Guide

## Unpacking Instructions

Immediately upon receipt, carefully unpack the product and check the container to make sure you have received all the parts indicated above in good condition.

## Claims




If the container or the material inside the container (the product and included accessories) appear damaged from shipping, or show signs of mishandling, upon receipt notify the carrier immediately, not Chauvet. Failure to do so in a timely manner may invalidate your claim with the carrier. In addition, keep the container and all the packing material for inspection.

For other issues such as missing components or parts, damage not related to shipping, or concealed damage, file a claim with Chauvet within 7 days of receiving the merchandise.

## Text Conventions

Convention	Meaning
1–512	A range of values
50/60	A set of values of which only one can be chosen
<b>Settings</b>	A menu option not to be modified
<b>Menu &gt; Settings</b>	A sequence of menu options to be followed
<b>&lt;ENTER&gt;</b>	A key to be pressed on the product's control panel
<b>ON</b>	A value to be entered or selected

## Icons

Icon	Meaning
	Critical installation, configuration, or operation information. Failure to comply with this information may render the product partially or completely inoperative, cause damage to the product, or cause harm to the user.
	Important installation or configuration information. Failure to comply with this information may prevent the product from functioning correctly.
	Useful information.

## Disclaimer

The information and specifications contained in this document are subject to change without notice. Chauvet assumes no responsibility or liability for any errors or omissions that may appear in this manual. Chauvet reserves the right to update the existing document or to create a new document to correct any errors or omissions.

You can download the latest version of this document from [www.chauvetlighting.com](http://www.chauvetlighting.com).

© Copyright 2015 Chauvet. All rights reserved.

Electronically published by Chauvet in the United States of America.

Author	Date	Editor	Date
M. Trouard	05/06/15	R. Isenstadt	5/07/15

## Product at a Glance

Use on Dimmer	X	Auto Programs	P
Outdoor Use	P	Auto-ranging Power Supply	P
Sound Activated	X	Replaceable Fuse	X
DMX	P	User Serviceable	X
Master/Slave	P	Duty Cycle	X

## Safety Notes

Please read the following Safety Notes carefully before working with the product. The Notes include important safety information about installation, usage, and maintenance.



- Always connect the product to a GFI (ground fault interrupter) circuit to avoid the risk of electrocution.
- To eliminate wear and improve its lifespan, during periods of non-use completely disconnect from power via breaker or by unplugging it.
- Always disconnect the product from the power source before cleaning.
- Avoid direct eye exposure to the light source while the product is on.
- Make sure the power cord is not crimped or damaged.
- Never disconnect the product from power cord by pulling or tugging on the cord.
- If mounting the product overhead, always secure to a fastening device using a safety cable.
- Make sure there are no flammable materials close to the product when operating.
- Do not touch the product's housing when operating because it may be very hot.



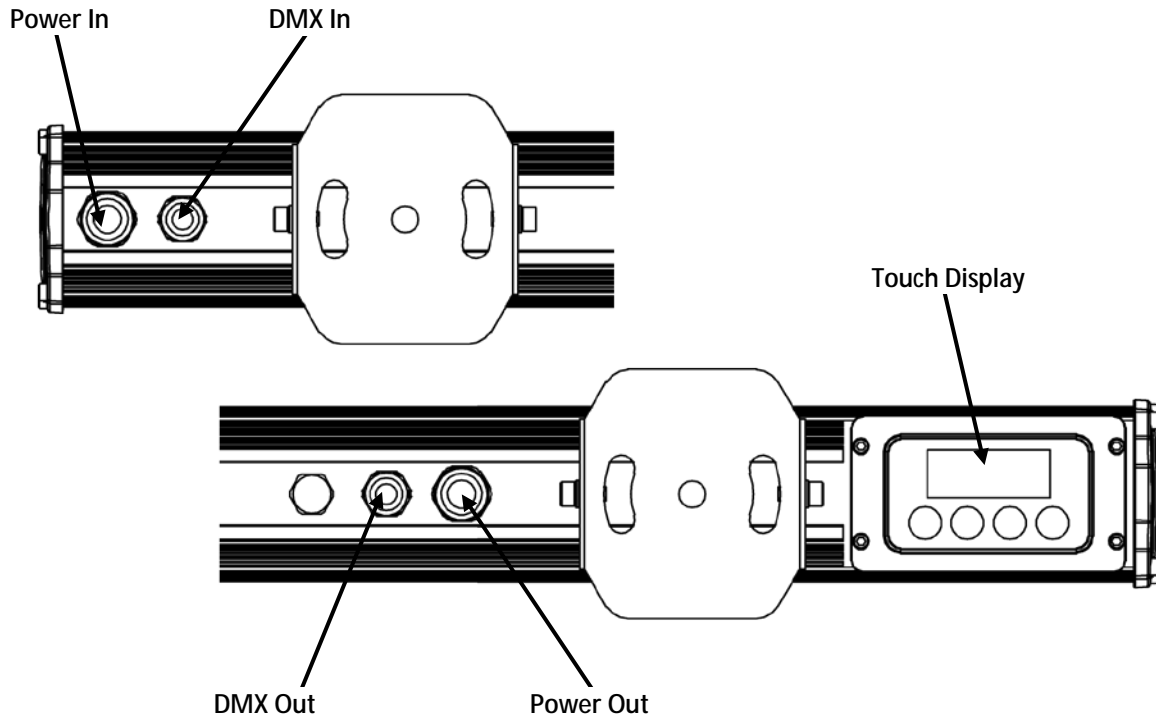
- Always make sure that the voltage of the outlet to which you are connecting the product is within the range stated on the decal or rear panel of the product.
- This product is for indoor or temporary outdoor use (**IP65**). Do not expose to harsh or excessively corrosive environmental conditions (whether indoors or outdoors), including, but not limited to, extreme temperatures, humidity, atmospheric conditions (including salinity or pressure), radiation (UV, infrared or nuclear), shock and conditions which exceed the product's Ingress Protection ("IP") rating. Do not submerge this product.
- Always install the product in a location with adequate ventilation, at least 20 in (50 cm) from adjacent surfaces.
- Be sure that no ventilation slots on the product's housing are blocked.
- Never connect the product to a dimmer.
- Make sure to replace the fuse with another of the same type and rating.
- Never carry the product from the power cord or any moving part. Always use the hanging/mounting bracket or the handles.
- The maximum ambient temperature ( $T_a$ ) is 104 °F (40 °C). Do not operate the product at higher temperatures.
- In the event of a serious operating problem, stop using the product immediately.
- Never try to repair the product. Repairs carried out by unskilled people can lead to damage or malfunction. Please contact the nearest authorized technical assistance center.



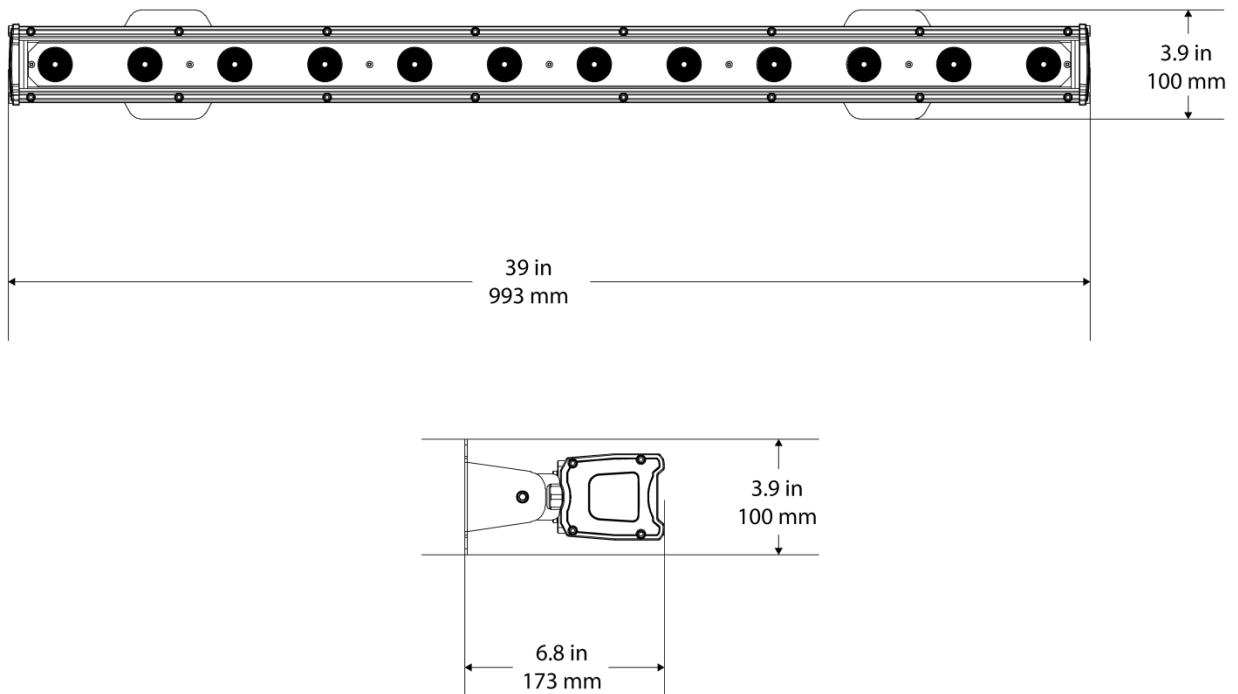
Keep this User Manual for future consultation. If you sell the product to another user, be sure that they also receive this document.

## 2. INTRODUCTION

### Product Overview



### Product Dimensions



---

## 3. SETUP

**AC Power** The COLORband PiX™ IP has an auto-ranging power supply and it can work with an input voltage range of 100–240 VAC, 50/60 Hz.

To determine the product's power requirements (circuit breaker, power outlet, and wiring), use the current value listed on the label affixed to the product's back panel, or refer to the product's specifications chart. The listed current rating indicates the product's average current draw under normal conditions.



- **Always connect the product to a GFI protected circuit (circuit breaker or fuse). Make sure the product has an appropriate electrical ground to avoid the risk of electrocution or fire.**
- **To eliminate wear and improve its lifespan, during periods of non-use completely disconnect from power via breaker or by unplugging it.**



**Never connect the product to a rheostat (variable resistor) or dimmer circuit, even if the rheostat or dimmer channel serves only as a 0 to 100% switch.**

**Power Linking** The product provides a power linking option via the pigtailed located on the back of the unit.

**You can daisy chain up to 9 units on 120 VAC or up to 17 units on 230 VAC.**

If you choose not to use the power linking feature, be sure to use the included screw on cap to prevent any water from getting into the power cords.



**The power linking information above corresponds to the North American version of the product ONLY! If using the product in other markets, you must consult with the local Chauvet distributor as power linking connectors and requirements may differ in your country or region.**

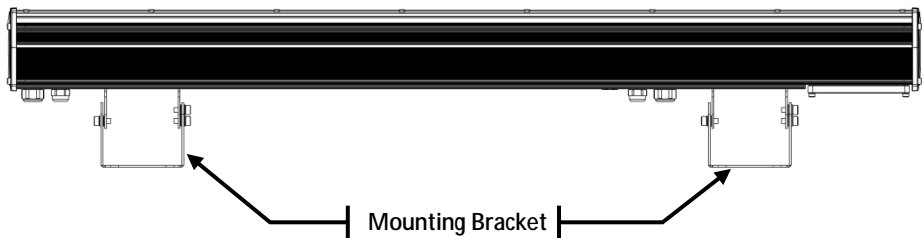
---

**Mounting** Before mounting the product, read and follow the safety recommendations indicated in the [Safety Notes](#).

**Orientation** The COLORband PiX™ IP may be mounted in any position; however, make sure adequate ventilation is provided around the product.

- Rigging**
- Before deciding on a location for the product, always make sure there is easy access to the product for maintenance and programming purposes.
  - Make sure that the structure onto which you are mounting the product can support the product's weight. Please see the [Technical Specifications](#) section of this manual for weight information.
  - When mounting the product overhead, always use a safety cable. Mount the product securely to a rigging point, whether an elevated platform or a truss.
  - When rigging the product onto a truss, you should use a mounting clamp of appropriate weight capacity. The bracket has a 13 mm hole, which is appropriate for this purpose.
  - When power linking multiple products, you must always consider the length of the power linking cable and mount the products close enough for the cable to reach.
  - This product is for indoor or outdoor use (IP65). Do not expose to harsh or excessively corrosive environmental conditions (whether indoors or outdoors), including, but not limited to, extreme temperatures, humidity, atmospheric conditions (including salinity or pressure), radiation (UV, infrared or nuclear), shock and conditions which exceed the product's Ingress Protection ("IP") rating. Do not submerge this product.

Mounting Diagram



## 4. OPERATION

### Control Panel Operation

To access the control panel functions, use the four buttons located underneath the display. Please refer to the [Product Overview](#) to see the button locations on the control panel.

Button	Function
<MENU>	Press to find an operation mode or to back out of the current menu option
<UP>	Press to scroll up the list of options or to find a higher value
<DOWN>	Press to scroll down the list of options or to find a lower value
<ENTER>	Press to activate a menu option or a selected value

### Menu Map

Mode	Programming Steps	Description	
Static Colors	C--	C1	Red
		C2	Green
		C3	Blue
		C4	Cyan
		C5	Magenta
		C6	Yellow
		C7	White
Auto Programs	P--	P1	7 Color Switching
		P2	7 Color Fading
		P3	3 Color Switching
		P4	3 Color Fading
		P5	Chase Program 1
		P6	Chase Program 2
Program Speed	S--	S001-S100	Selects auto program speed
Slave Mode	SLA	A_ 1-A126	Sets Slave Mode
Custom Color Mixing	U--	r--	Red
		g--	Green
		b--	Blue
Touch Control Panel Lock	PASS	ON	Locks touch control panel
		OFF	Passcode is UP,DOWN,UP,DOWN,ENTER
DMX Personalities and Starting Address	d001-d512	3-CH	Selects DMX personality and starting address
		4-CH	
		6-CH	
		7-CH	
		9-CH	
		12CH	
		18CH	
		36CH	

### Configuration (DMX)

Set the product in DMX mode to control with a DMX controller.

1. Connect the product to a suitable power outlet.
2. Turn the product on.
3. Connect a DMX cable from the DMX output of the DMX controller to the DMX input socket on the product.



## DMX Personalities and Starting Address

The COLORband PiX™ IP has two DMX personalities, a 3-channel mode for basic control and a 36-channel mode with more advanced control over the lights.

The COLORband PiX™ IP uses up to 36 DMX channels in its 36-channel DMX mode, which defines the highest configurable address to **477**.

When selecting a starting DMX address, always consider the number of DMX channels the selected DMX mode uses. If you choose a starting address that is too high, you could restrict the access to some of the product's channels.

If you are not familiar with the DMX protocol, you may refer to the DMX Primer at [www.chauvetlighting.com](http://www.chauvetlighting.com).

To select the DMX personality, do the following:

1. Press **<MENU>** repeatedly until **3-CH**, **4-CH**, **6-CH**, **7CH**, **9-CH**, **12CH**, **18CH** or **36CH** shows on the display.
2. Press **<ENTER>** to choose your DMX personality when it appears on the display.

To then choose your starting address:

1. The display should show **d001** once you've selected your DMX personality using the steps above.
2. Use **<UP>** or **<DOWN>** to select the starting address.
3. Press **<ENTER>**.

## DMX Channel Assignments and Values

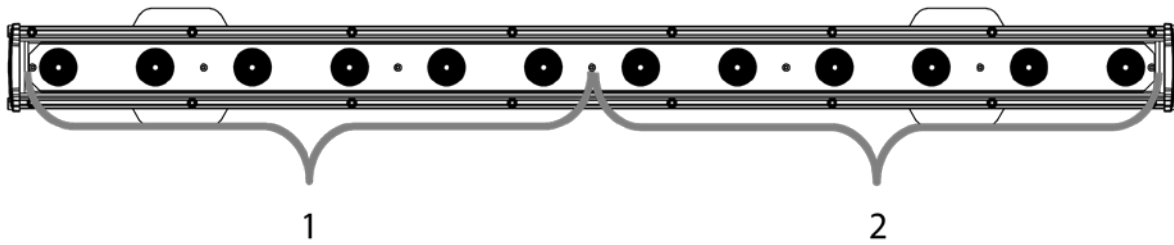
7-CH	Channel	Function	Value	Setting
	1	Red	000 ◊ 255	0–100%
	2	Green	000 ◊ 255	0–100%
	3	Blue	000 ◊ 255	0–100%
	4	Color Macros	000 ◊ 015	No function
			016 ◊ 255	Color Macros
	5	Speed	000 ◊ 255	Speed (slow to fast) (when Ch. 6 is between 032-233)
		Strobe (Ch. 1-Ch. 4 only)	000 ◊ 015	No function
			016 ◊ 255	0-30 Hz
	6	RGB Mode	000 ◊ 031	No function
			032 ◊ 063	Pulse effect 0–100%
			064 ◊ 095	Pulse effect 100%-0
			096 ◊ 114	Pulse effect 100%-0-100%
			115 ◊ 127	Chase program
			128 ◊ 159	Auto fade transition
			160 ◊ 191	Auto snap transition (3 colors)
			192 ◊ 223	Auto snap transition (7 colors)
	224 ◊ 255	Auto programs		
	7	Dimmer	000 ◊ 255	0–100%

3-CH	Channel	Function	Value	Setting
	1	Red	000 ◊ 255	0–100%
	2	Green	000 ◊ 255	0–100%
	3	Blue	000 ◊ 255	0–100%

4-CH	Channel	Function	Value	Setting
	1	Red	000 ◊ 255	0–100%
	2	Green	000 ◊ 255	0–100%
	3	Blue	000 ◊ 255	0–100%
	4	Dimmer	000 ◊ 255	0–100%

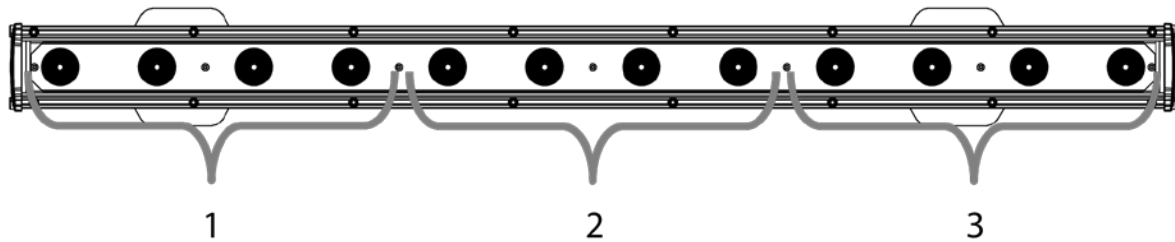
6-CH	Channel	Function	Value	Setting	Section
	1	Red	000 ◊ 255	0-100%	1
	2	Green	000 ◊ 255	0-100%	
	3	Blue	000 ◊ 255	0-100%	
	4	Red	000 ◊ 255	0-100%	2
	5	Green	000 ◊ 255	0-100%	
	6	Blue	000 ◊ 255	0-100%	

**COLORband PiX™ IP Zones for DMX Control (6-CH)**



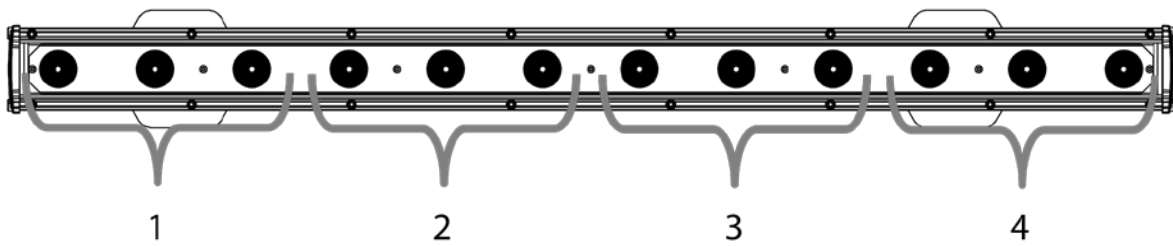
9-CH	Channel	Function	Value	Setting	Section
	1	Red	000 ◊ 255	0-100%	1
	2	Green	000 ◊ 255	0-100%	
	3	Blue	000 ◊ 255	0-100%	
	4	Red	000 ◊ 255	0-100%	2
	5	Green	000 ◊ 255	0-100%	
	6	Blue	000 ◊ 255	0-100%	
	7	Red	000 ◊ 255	0-100%	3
	8	Green	000 ◊ 255	0-100%	
	9	Blue	000 ◊ 255	0-100%	

**COLORband PiX™ IP Zones for DMX Control (9-CH)**



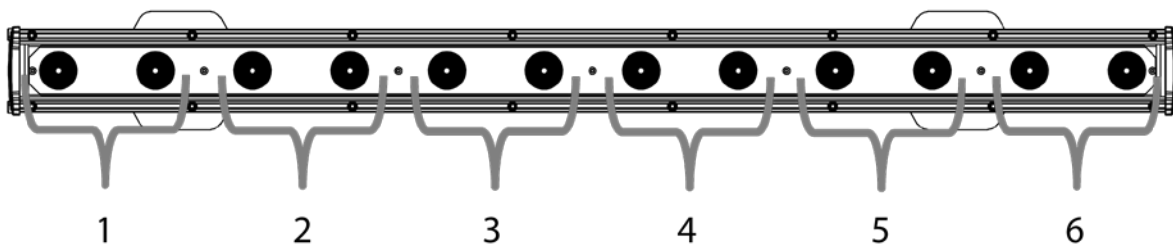
12CH	Channel	Function	Value	Setting	Section
	1	Red	000 ◊ 255	0-100%	1
	2	Green	000 ◊ 255	0-100%	
	3	Blue	000 ◊ 255	0-100%	
	4	Red	000 ◊ 255	0-100%	2
	5	Green	000 ◊ 255	0-100%	
	6	Blue	000 ◊ 255	0-100%	
	7	Red	000 ◊ 255	0-100%	3
	8	Green	000 ◊ 255	0-100%	
	9	Blue	000 ◊ 255	0-100%	
	10	Red	000 ◊ 255	0-100%	4
	11	Green	000 ◊ 255	0-100%	
	12	Blue	000 ◊ 255	0-100%	

**COLORband PiX™ IP Zones for DMX Control (12CH)**



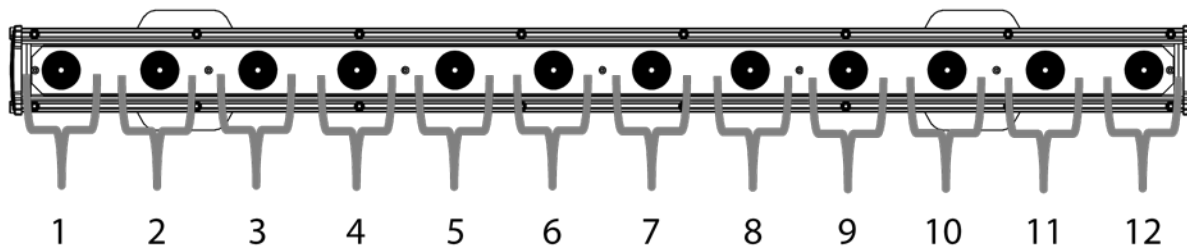
18CH	Channel	Function	Value	Setting	Section
	1	Red	000 ◊ 255	0-100%	1
	2	Green	000 ◊ 255	0-100%	
	3	Blue	000 ◊ 255	0-100%	
	4	Red	000 ◊ 255	0-100%	2
	5	Green	000 ◊ 255	0-100%	
	6	Blue	000 ◊ 255	0-100%	
	7	Red	000 ◊ 255	0-100%	3
	8	Green	000 ◊ 255	0-100%	
	9	Blue	000 ◊ 255	0-100%	
	10	Red	000 ◊ 255	0-100%	4
	11	Green	000 ◊ 255	0-100%	
	12	Blue	000 ◊ 255	0-100%	
	13	Red	000 ◊ 255	0-100%	5
	14	Green	000 ◊ 255	0-100%	
	15	Blue	000 ◊ 255	0-100%	
	16	Red	000 ◊ 255	0-100%	6
	17	Green	000 ◊ 255	0-100%	
	18	Blue	000 ◊ 255	0-100%	

**COLORband PiX™ IP Zones for DMX Control (18CH)**



36CH	Channel	Function	Value	Setting	Section
	1	Red	000 ó 255	0–100%	1
	2	Green	000 ó 255	0–100%	
	3	Blue	000 ó 255	0–100%	
	4	Red	000 ó 255	0–100%	2
	5	Green	000 ó 255	0–100%	
	6	Blue	000 ó 255	0–100%	
	7	Red	000 ó 255	0–100%	3
	8	Green	000 ó 255	0–100%	
	9	Blue	000 ó 255	0–100%	
	10	Red	000 ó 255	0–100%	4
	11	Green	000 ó 255	0–100%	
	12	Blue	000 ó 255	0–100%	
	13	Red	000 ó 255	0–100%	5
	14	Green	000 ó 255	0–100%	
	15	Blue	000 ó 255	0–100%	
	16	Red	000 ó 255	0–100%	6
	17	Green	000 ó 255	0–100%	
	18	Blue	000 ó 255	0–100%	
	19	Red	000 ó 255	0–100%	7
	20	Green	000 ó 255	0–100%	
	21	Blue	000 ó 255	0–100%	
	22	Red	000 ó 255	0–100%	8
	23	Green	000 ó 255	0–100%	
	24	Blue	000 ó 255	0–100%	
	25	Red	000 ó 255	0–100%	9
	26	Green	000 ó 255	0–100%	
	27	Blue	000 ó 255	0–100%	
	28	Red	000 ó 255	0–100%	10
	29	Green	000 ó 255	0–100%	
	30	Blue	000 ó 255	0–100%	
	31	Red	000 ó 255	0–100%	11
	32	Green	000 ó 255	0–100%	
	33	Blue	000 ó 255	0–100%	
	34	Red	000 ó 255	0–100%	12
	35	Green	000 ó 255	0–100%	
	36	Blue	000 ó 255	0–100%	

**COLORband PiX™ IP Zones for DMX Control (36CH)**



---

## Configuration (Standalone)

Set the product in one of the standalone modes to control without a DMX controller.

1. Connect the product to a suitable power outlet.
2. Turn the product on.



**Never connect a product that is operating in any standalone mode to a DMX string connected to a DMX controller. Products in standalone mode may transmit DMX signals that could interfere with the DMX signals from the controller.**

### Static Color Mode

To enable the Static Color Mode, do the following:

1. Press **<MENU>** repeatedly until **C--** shows on the display.
2. Press **<ENTER>**.
3. Use **<UP>** or **<DOWN>** to choose a color (**C1-C7**).
4. Press **<ENTER>**.

### Automatic Mode

To enable the Automatic Mode, follow the instructions below:

1. Press **<MENU>** repeatedly until **P--** shows on the display.
2. Press **<ENTER>**.
3. Use **<UP>** or **<DOWN>** to choose your auto program (**P1-P6**).
4. Press **<ENTER>**.

You can adjust the speed of the automatic program as well.

1. Press **<MENU>** repeatedly until **S--** shows on the display.
2. Press **<ENTER>**.
3. Use **<UP>** or **<DOWN>** to adjust the duration of each step of the automatic program from **S001** (slow) to **S100** (fast).
4. Press **<ENTER>**.

### Custom Static Color Mode

To enable the Custom Static Color Mode, follow the instructions below:

1. Press **<MENU>** repeatedly until **U--** shows on the display.
2. Press **<ENTER>** to choose between colors (**r--**, **g--**, **b--**).
3. Press **<UP>** or **<DOWN>** to choose the intensity of the color (**r000-100**).
4. Repeat the steps to mix additional colors to create the color you need.
5. Press **<ENTER>**.

### Touch Control Panel Lock

To enable the touch panel lock, follow the instructions below:

1. Press **<MENU>** repeatedly until **PASS** shows on the display.
2. Press **<ENTER>**.
3. Press **<UP>** or **<DOWN>** until **ON** shows on the display to enable the touch panel lock.

To disable the touch panel lock so you can resume functionality, follow the steps below:

1. Press **<UP>**, **<DOWN>**, **<UP>**, **<DOWN>**, **<ENTER>** to disable the touch panel lock.
2. Press **<MENU>** to move through the menus as normal.



**In situations where water may flow onto the touch display, use the Touch Panel Control Lock so that the water does not reset the product's settings.**

---

## Master/Slave Mode

The Master/Slave mode allows a single COLORband PiX™ IP unit (the “master”) to control the actions of one or more COLORband PiX™ IP units (the “slaves”) without the need of a DMX controller. The master unit will be set to operate in a standalone mode while the slave units will be set to operate in Slave Mode. Once set and connected, the slave units will operate in unison with the master unit.

Configure the units as indicated below.

### Slave units:

1. Press **<MENU>** repeatedly until **SLA** shows on the display.
2. Press **<ENTER>** to accept.
3. Set the DMX address to **001**.
4. Connect the DMX input of the first slave unit to the DMX output of the master unit.
5. Connect the DMX input of the subsequent slave units to the DMX output of the previous slave unit.
6. Finish setting and connecting all the slave units.

### Master unit:

1. Set the master unit to operate in a standalone mode.
2. Make the master unit the first unit in the daisy chain.

- **Configure all the slave units before connecting the master unit to the daisy chain.**
- **Never connect a DMX controller to a DMX string configured for Master/Slave operation because the controller may interfere with the signals from the master unit.**
- **Do not connect more than 31 slave units to the master unit.**



---

## 5. TECHNICAL INFORMATION

### **Product Maintenance**

Dust build up reduces light output performance and can cause overheating. This can lead to reduction of the light source's life. To maintain optimum performance and minimize wear, you should clean your lighting products at least twice a month. However, be aware that usage and environmental conditions could be contributing factors to increase the cleaning frequency.

To clean the product, follow the instructions below:

1. Unplug the product from power.
2. Wait until the product is at room temperature.
3. Use a vacuum (or dry compressed air) and a soft brush to remove dust collected on the external surface/vents.
4. Clean all external optics and glass/transparent surfaces with a mild soap solution, ammonia-free glass cleaner, or isopropyl alcohol.
5. Apply the solution directly to a soft, lint free cotton cloth or a lens cleaning tissue.
6. Softly drag any dirt or grime to the outside of the external optics or glass/transparent surface.
7. Gently polish the external optics and glass/transparent surfaces until they are free of haze and lint.



**Always dry the external optics and glass/transparent surfaces carefully after cleaning them.**

## 6. TECHNICAL SPECIFICATIONS

<b>Dimensions and Weight</b>	<b>Length</b>	<b>Width</b>	<b>Height</b>	<b>Weight</b>
	39 in (993 mm)	3.9 in (100 mm)	6.8 in (173 mm)	13.5 lbs (6.1 kg)
<b>Note:</b> Dimensions in inches rounded to the nearest decimal digit.				
<b>Power</b>	<b>Power Supply Type</b>	<b>Range</b>	<b>Voltage Selection</b>	
	Switching (internal)	100–240 V, 50/60 Hz	Auto-ranging	
	<b>Parameter</b>	<b>120 V, 60 Hz</b>	<b>230 V, 50 Hz</b>	
	Consumption	98 W	103 W	
	Operating	0.7 A	0.4 A	
	Power linking current (units)	8 A (9 units)	8 A (17 units)	
<b>Light Source</b>	<b>Power I/O</b>	<b>US/Worldwide</b>	<b>UK/Europe</b>	
	Power input connector	Proprietary	Proprietary	
	Power output connector	Proprietary	Proprietary	
	Power Cord plug	Edison (US)	Local plug	
<b>Photometrics</b>	<b>Type</b>	<b>Power</b>	<b>Lifespan</b>	
	LED	3 W	50,000 hours	
	<b>Color</b>	<b>Quantity</b>	<b>Current</b>	
	Tri-color RGB	12	350 mA (x3)	
<b>Thermal</b>	<b>Parameter</b>			
	Illuminance @ 2 m	2,325 lux		
	Beam angle	20°		
	Field angle	34°		
	Strobe rate	0–30 Hz		
<b>DMX</b>	<b>Maximum External Temp.</b>	<b>Minimum Startup Temp.</b>	<b>Cooling System</b>	
	113° F (45° C)	-4° F (-20° C)	Convection	
<b>Ordering</b>	<b>I/O Connectors</b>	<b>Connector Type</b>	<b>Channel Range</b>	
	3-pin XLR	Proprietary	3, 4, 6, 7, 9, 12, 18 or 36	
<b>Ordering</b>	<b>Product Name</b>	<b>Item Code</b>	<b>Item Number</b>	
	COLORband PiX™ IP	03030543	781462208912	





---

In case you need to get support or return a product:

- If you are located in the U.S., contact Chauvet World Headquarters.
- If you are located in the UK or Ireland, contact Chauvet Europe Ltd.
- If you are located in Mexico, contact Chauvet Mexico.
- If you are located in Benelux, contact Chauvet Europe BVBA.

If you are located in any other country, DO NOT contact Chauvet. Instead, contact your local distributor. See [www.chauvetlighting.com](http://www.chauvetlighting.com) for distributors outside the U.S., UK, Ireland, Mexico, or Benelux.



**If you are located outside the U.S., UK, Ireland, Mexico, or Benelux, contact your distributor of record and follow their instructions on how to return Chauvet products to them. Visit our website [www.chauvetlighting.com](http://www.chauvetlighting.com) for contact details.**

## Returns

Call the corresponding Chauvet Tech Support office and request a Return Merchandise Authorization (RMA) number before shipping the product. Be prepared to provide the model number, serial number, and a brief description of the cause for the return.

You must send the merchandise prepaid, in its original box, and with its original packing and accessories. Chauvet will not issue call tags.

Clearly label the package with the RMA number. Chauvet will refuse any product returned without an RMA number.



**Write the RMA number on a properly affixed label. DO NOT write the RMA number directly on the box.**

Before sending the product, clearly write the following information on a piece of paper and place it inside the box:

- Your name
- Your address
- Your phone number
- The RMA number
- A brief description of the problem

Be sure to pack the product properly. Any shipping damage resulting from inadequate packaging will be your responsibility. As a suggestion, proper UPS packing or double-boxing is always a safe method to use.



**Chauvet reserves the right to use its own discretion to repair or replace returned product(s).**

---

# CONTACT US

## WORLD HEADQUARTERS - Chauvet

### General Information

Address: 5200 NW 108<sup>th</sup> Avenue  
Sunrise, FL 33351  
Voice: (954) 577-4455  
Fax: (954) 929-5560  
Toll free: (800) 762-1084

### Technical Support

Voice: (954) 577-4455 (Press 4)  
Fax: (954) 756-8015  
Email: [tech@chauvetlighting.com](mailto:tech@chauvetlighting.com)

World Wide Web [www.chauvetlighting.com](http://www.chauvetlighting.com)

## UNITED KINGDOM AND IRELAND - Chauvet Europe Ltd.

### General Information

Address: Unit 1C  
Brookhill Road Industrial Estate  
Pinxton, Nottingham, UK  
NG16 6NT  
Voice: +44 (0)1773 511115  
Fax: +44 (0)1773 511110

### Technical Support

Email: [uktech@chauvetlighting.com](mailto:uktech@chauvetlighting.com)

World Wide Web  
[www.chauvetlighting.co.uk](http://www.chauvetlighting.co.uk)

## MEXICO - Chauvet Mexico

### General Information

Address: Av. Santa Ana 30  
Parque Industrial Lerma  
Lerma, Mexico C.P. 52000  
Voice: +52 (728) 285-5000

### Technical Support

Email: [servicio@chauvet.com.mx](mailto:servicio@chauvet.com.mx)

World Wide Web [www.chauvet.com.mx](http://www.chauvet.com.mx)

## CHAUVET EUROPE - Chauvet Europe BVBA

### General Information

Address: Stokstraat 18  
9770 Kruishoutem  
Belgium  
Voice: +32 9 388 93 97

### Technical Support

Email: [Eutech@chauvetlighting.eu](mailto:Eutech@chauvetlighting.eu)

World Wide Web [www.chauvetlighting.eu](http://www.chauvetlighting.eu)

Outside the U.S., United Kingdom, Ireland, Mexico, or Benelux contact your dealer. Follow their instructions to request support or to return a product. Visit our website for contact details.