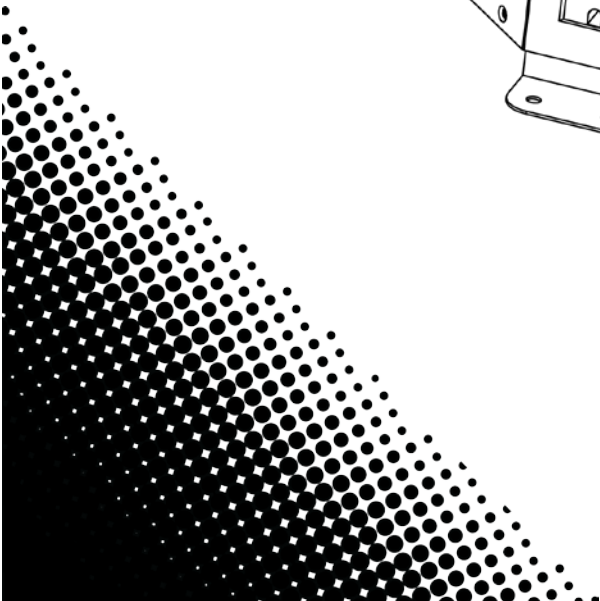
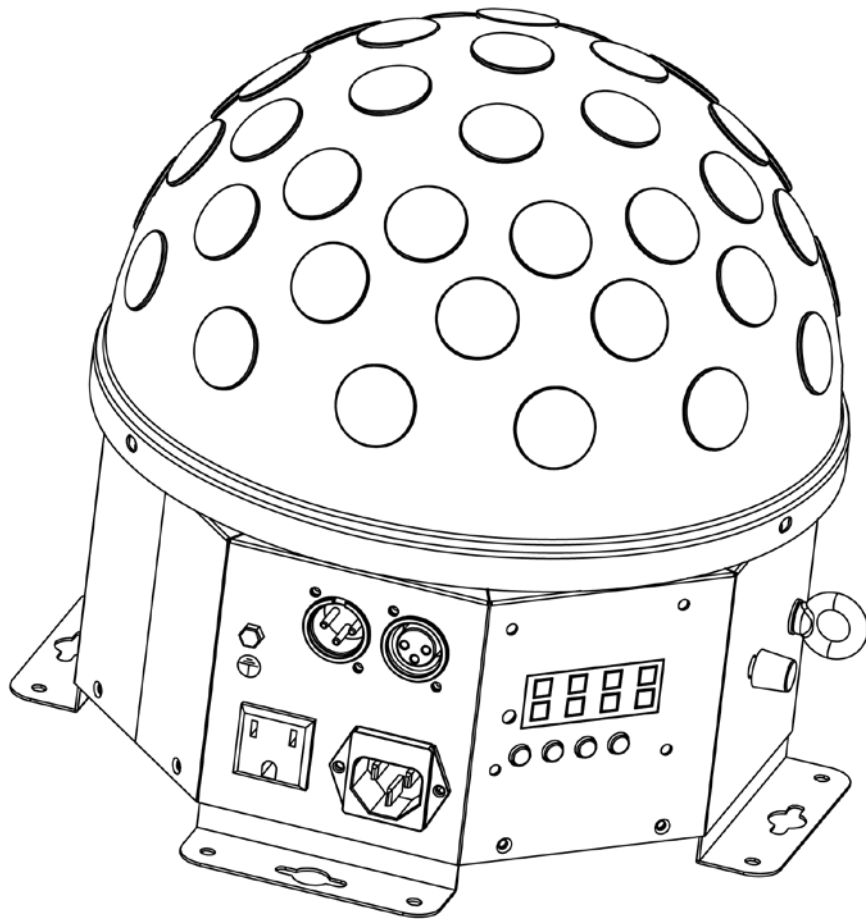


# HEMISPHERE™ 5.1

User Manual



**CHAUVET**<sup>®</sup>  
It's Green Thinking.<sup>™</sup>

---

# TABLE OF CONTENTS

<b>1. Before You Begin.....</b>	<b>3</b>
What Is Included .....	3
Unpacking Instructions .....	3
Claims .....	3
Text Conventions .....	3
Icons .....	3
Disclaimer .....	3
Product at a Glance.....	4
Safety Notes .....	4
<b>2. Introduction.....</b>	<b>5</b>
Product Overview .....	5
Product Dimensions .....	6
<b>3. Setup .....</b>	<b>7</b>
AC Power .....	7
Fuse Replacement.....	7
Power Linking .....	8
Mounting .....	9
Orientation .....	9
Rigging .....	9
<b>4. Operation .....</b>	<b>10</b>
Control Panel Operation .....	10
Menu Map .....	10
Configuration (DMX).....	11
Starting Address .....	11
DMX Values .....	11
5-CH.....	11
Configuration (Standalone).....	12
Sound-Active Mode.....	12
Automatic Mode .....	12
Master/Slave Mode .....	12
<b>5. Technical Information .....</b>	<b>13</b>
Product Maintenance .....	13
<b>6. Technical Specifications .....</b>	<b>14</b>
Returns .....	15
Contact Us .....	15

# 1. BEFORE YOU BEGIN

## What Is Included

- Hemisphere™ 5.1
- Power cord
- Warranty card
- Quick Reference Guide

## Unpacking Instructions

Immediately upon receipt, carefully unpack the product and check the container to make sure you have received all the parts indicated above in good condition.

## Claims




If the box or the contents (the product and included accessories) appear damaged from shipping, or show signs of mishandling, notify the carrier immediately, not CHAUVET®. Failure to do so in a timely manner may invalidate your claim with the carrier. In addition, keep the box and contents for inspection.

For other issues such as missing components or parts, damage not related to shipping, or concealed damage, file a claim with CHAUVET® within 7 days of delivery.

## Text Conventions

Convention	Meaning
1 to 512	A range of values
50/60	A set of values of which only one can be chosen
<b>Settings</b>	A menu option not to be modified
<b>Menu &gt; Settings</b>	A sequence of menu options to be followed
<b>&lt;ENTER&gt;</b>	A key to be pressed on the product's control panel
<b>ON</b>	A value to be entered or selected

## Icons

Icon	Meaning
	Critical installation, configuration, or operation information. Failure to comply may render the product partially or completely inoperative, cause damage to the product, or cause harm to the operator.
	Important installation or configuration information. The product may not function correctly if this information is not used.
	Useful information.

## Disclaimer

The information and specifications contained in this document are subject to change without notice. CHAUVET® assumes no responsibility or liability for any errors or omissions that may appear in this manual, and reserves the right to revise or recreate this manual at any time.

Download the latest version of this document from [www.chauvetlighting.com](http://www.chauvetlighting.com).

© Copyright 2013 CHAUVET®. All rights reserved.

Printed in P.R.C.

Electronically published by CHAUVET® in the United States of America.

Author	Date	Editor	Date
A. Leon	07/24/13	T. Yeago	07/24/13

## Product at a Glance

Use on Dimmer	X	Auto Programs	P
Outdoor Use	X	Auto-ranging Power Supply	P
Sound Activated	P	Replaceable Fuse	P
DMX	P	User-Serviceable	X
Master/Slave	P	Duty Cycle	X

## Safety Notes

The Safety Notes include important safety information about the mounting, usage, and maintenance of this product. Read the Safety Notes before using the product.



- Always connect the product to a grounded circuit to avoid the risk of electrocution.
- Always disconnect the product from the power source before cleaning or replacing the fuse.
- Avoid direct eye exposure to the light source while the product is on.
- Make sure the power cord is not crimped or damaged.
- Never disconnect the product from power by pulling or tugging on the cord.
- If mounting the product overhead, always use a safety cable.
- Make sure there are no flammable materials close to the product when operating.
- Do not touch the product's housing when operating because it may be very hot.



- Always make sure that the voltage of the outlet to which you are connecting the product is within the range stated on the decal or rear panel of the product.
- The product is for indoor use only! (IP20) To prevent risk of fire or shock, do not expose the product to rain or moisture.
- Always install the product in a location with adequate ventilation, at least 20 in (50 cm) from adjacent surfaces.
- Be sure that no ventilation slots on the product's housing are blocked.
- Never connect the product to a dimmer.
- Make sure to replace the fuse with another of the same type and rating.
- Never carry the product by the power cord or the moving head. Always use the hanging/mounting brackets.
- The maximum ambient temperature (Ta) is 104 °F (40 °C). Do not operate the product at higher temperatures.
- In the event of a serious operating problem, stop using the product immediately.
- Never try to repair the product. Repairs carried out by unskilled persons can lead to damage or malfunction. Contact the nearest authorized technical assistance center.
- This product is not intended for permanent installation.



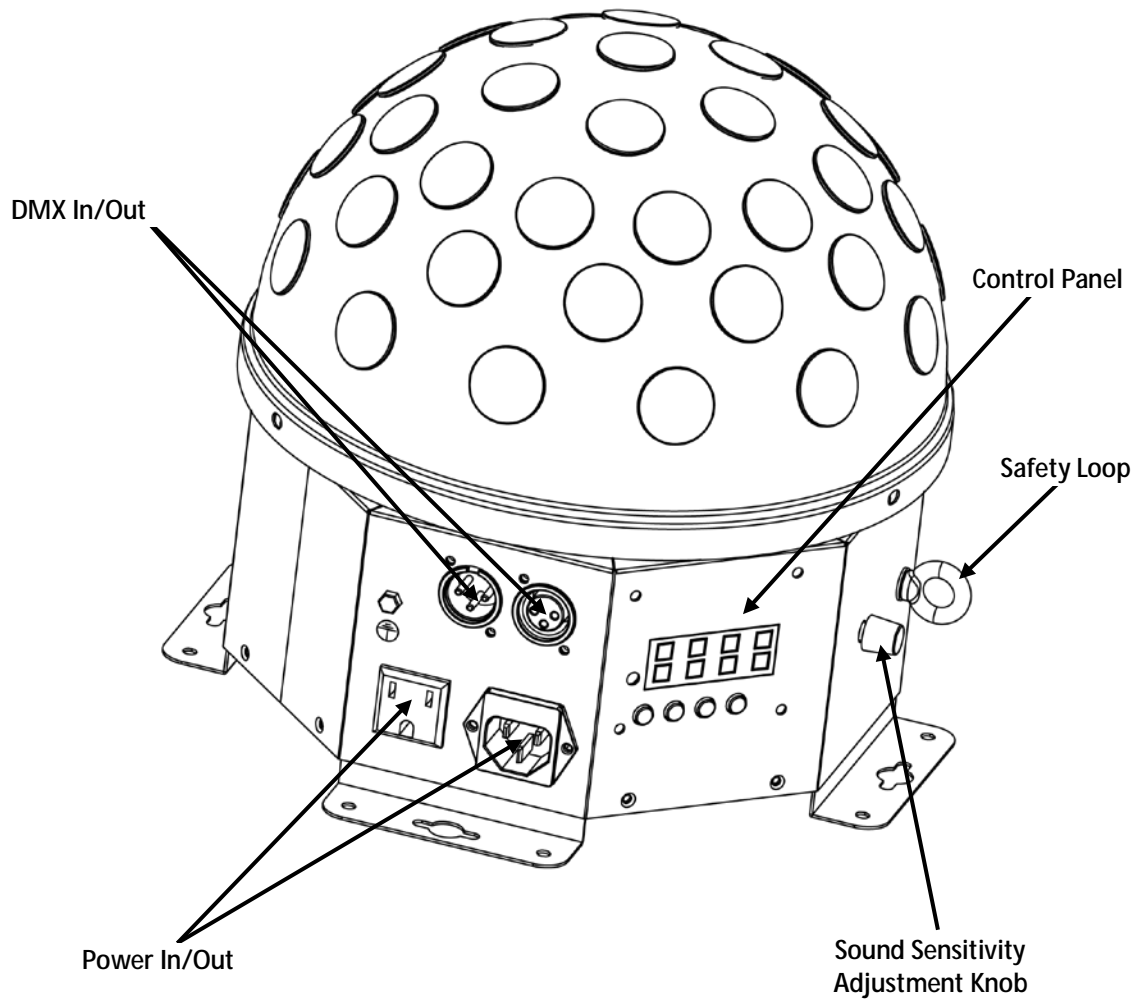
- Keep this User Manual for future consultation. If you sell the product to another user, be sure that they also receive this document.

---

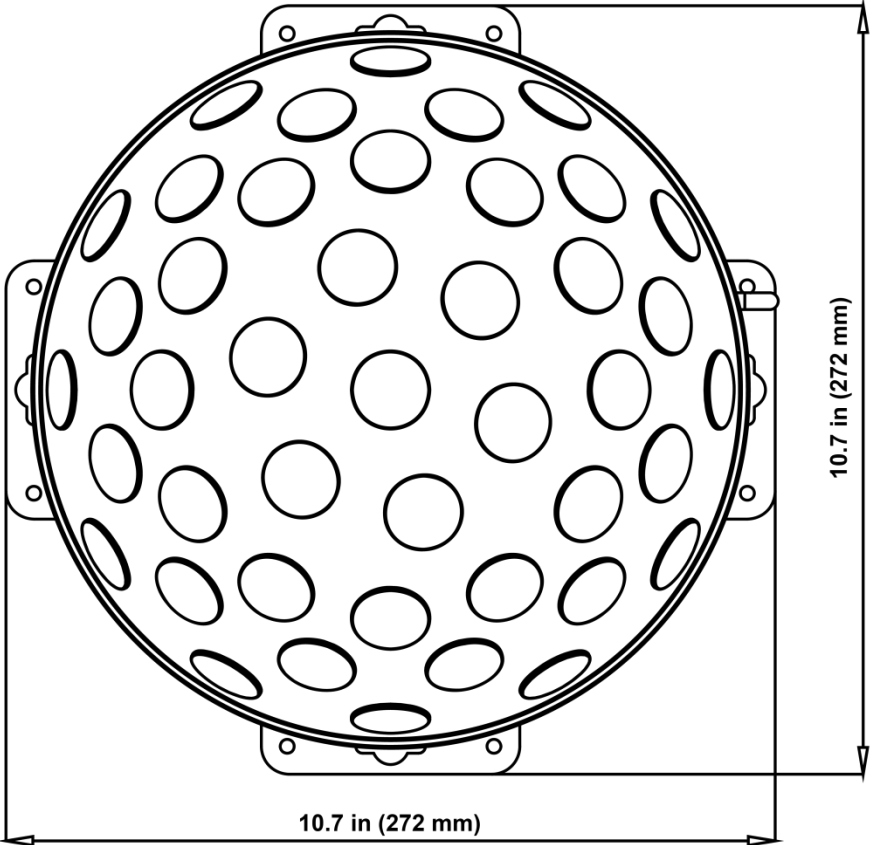
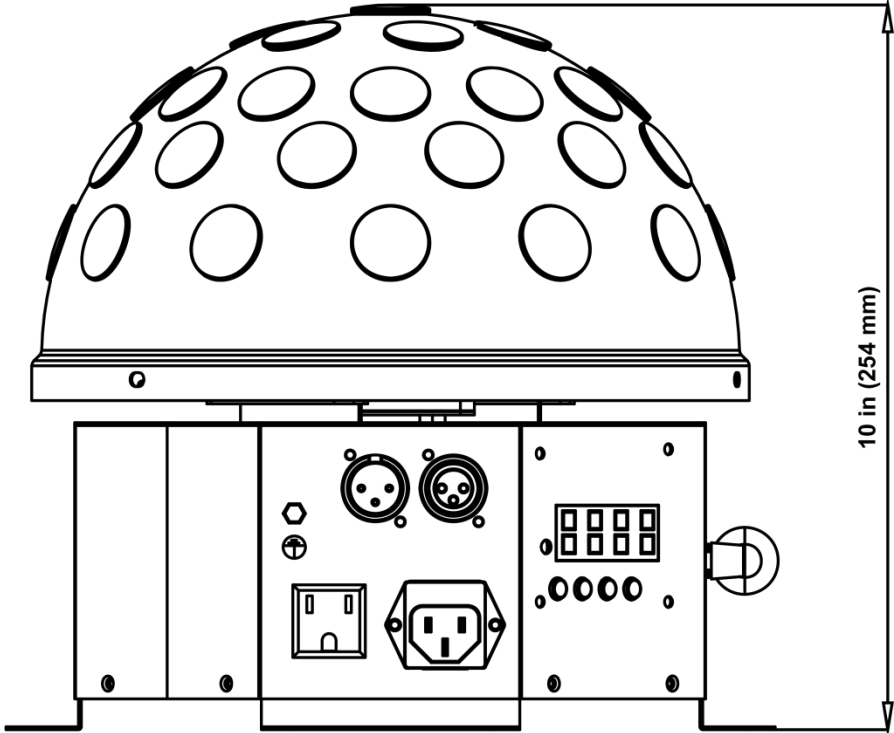
## 2. INTRODUCTION

### Product Overview

The Hemisphere™ 5.1 is a rotating, multi-colored centerpiece light. The product contains red, green, blue, white, and amber LEDs for effects similar to a mirror ball. The moving head spins in both directions and at variable speeds to create an ever-changing star field. Sound-activated programs change the lights to the beat of the music. Standalone modes allow customized looks without a DMX controller.



**Product Dimensions**



## 3. SETUP

**AC Power** The Hemisphere™ 5.1 has an auto-ranging power supply and it can work with an input voltage range of 100–240 VAC, 50/60 Hz.

To determine the product's power requirements (circuit breaker, power outlet, and wiring), use the current value listed on the label affixed to the product's back panel, or refer to the product's specifications chart. The listed current rating indicates the product's average current draw under normal conditions.



**Always connect the product to a protected circuit (circuit breaker or fuse). Make sure the product has an appropriate electrical ground to avoid the risk of electrocution or fire.**



**Never connect the product to a rheostat (variable resistor) or dimmer circuit, even if the rheostat or dimmer channel serves only as a 0 to 100% switch.**

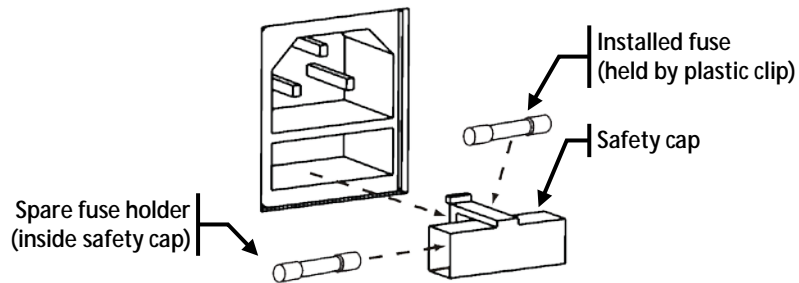
### Fuse Replacement

Follow the instructions below to change the fuse, if necessary.



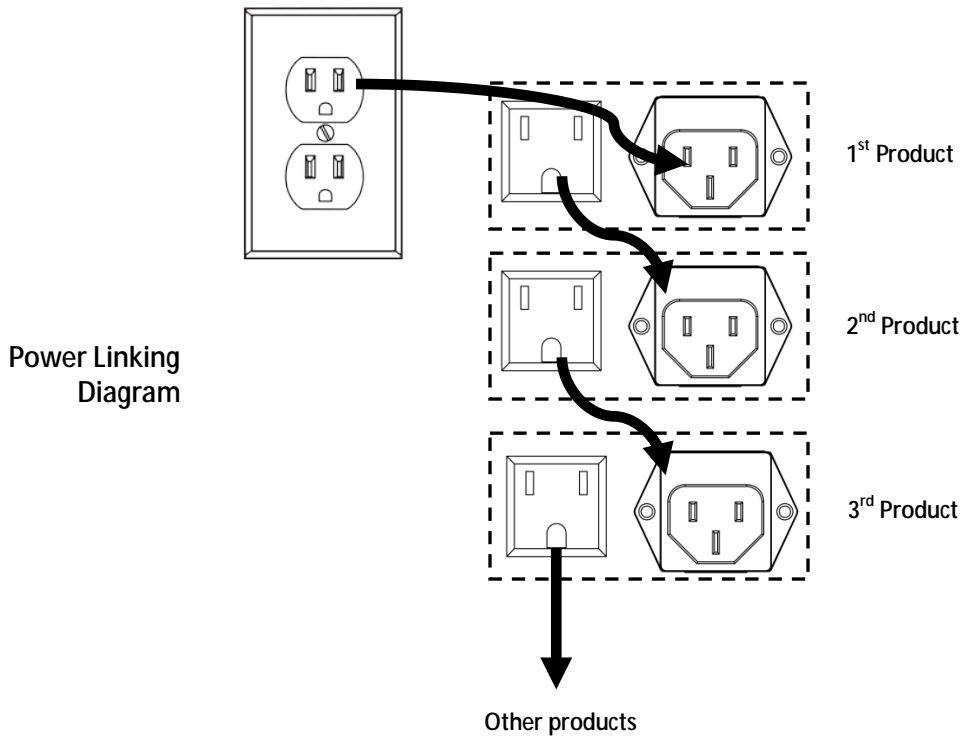
**Disconnect the product from power before replacing the fuse.**

1. Wedge the tip of a flat-head screwdriver into the slot of the fuse holder.
2. Pry the fuse holder out of the housing.
3. Remove the blown fuse from the holder and replace with a fuse of the exact same type and rating.
4. Insert the fuse holder back into place and reconnect power.




**The product does not ship with a spare fuse; however, the safety cap has room for a spare.**

**Power Linking** The product provides power linking via the IEC outlet located in the back of the unit. Please see the diagram below for further explanation.



 You can power link up to 25 Hemisphere™ 5.1 products on 120 VAC or up to 45 Hemisphere™ 5.1 products on 230 VAC.

 The power linking diagram shown above corresponds to the North American version of the product ONLY! If using the product in other markets, you must consult with the local CHAUVET® distributor as power linking connectors and requirements may differ in your country or region.



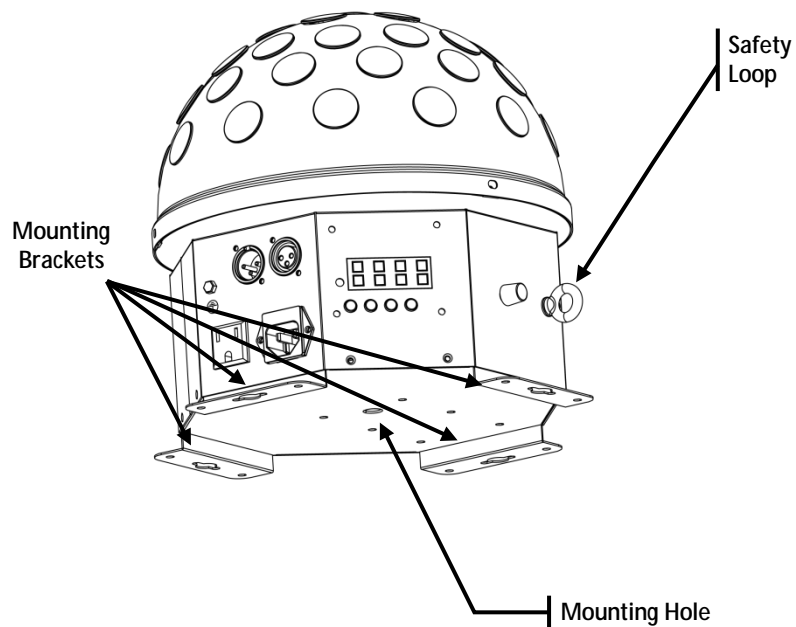
---

**Mounting** Before mounting the product, read and follow the safety recommendations indicated in the Safety Notes.

**Orientation** The Hemisphere™ 5.1 may be mounted in any position; however, make sure adequate ventilation is provided around the product.

- Rigging**
- Before deciding on a location for the product, always make sure there is easy access to the product for maintenance and programming purposes.
  - Make sure that the structure or surface onto which you are mounting the product can support the product's weight (see the [Technical Specifications](#)).
  - When mounting the product overhead, always use a safety cable. Mount the product securely to a rigging point, such as an elevated platform or a truss.
  - When rigging the product onto a truss, you should use a mounting clamp of appropriate weight capacity.
  - When power linking multiple products, you must always consider the length of the power linking cable and mount the products close enough for the cable to reach.
  - This product has 4 mounting brackets. The mounting brackets also serve as floor supports and allow for surface mounting. When mounting the product on the floor, make sure that the product and cables are away from people and vehicles.

Mounting Diagram



# 4. OPERATION

## Control Panel Operation

To access the control panel functions, use the four buttons located underneath the display. Please refer to the [Introduction](#) section for button locations on the control panel.

Button	Function
<MENU>	Press to find an operation mode or to back out of the current menu option
<ENTER>	Press to activate a menu option or a selected value
<UP>	Press to scroll up the list of options or to find a higher value
<DOWN>	Press to scroll down the list of options or to find a lower value

## Menu Map

Main Level	Programming Levels		Description
Auto Program Selection	Pr.XX	Pr.01~Pr.14	Selects Auto Program manually
Auto Program Sequence	AUTO		Runs Auto Programs automatically
DMX Address	d.XXX	d.001~d.512	Selects DMX starting address
Slave Mode	SLAV		Sets Slave mode
Sound-Active Mode	SOUN		Sets Sound-Active mode
Static Colors	C.L.XX	C.L.r-	Static color Red
		C.L.g-	Static color Green
		C.L.b-	Static color Blue
		C.L.u-	Static color White
		C.L.Y-	Static color Amber
		C.L.rg	Static color Red & Green
		C.L.rb	Static color Red & Blue
		C.L.ru	Static color Red & White
		C.L.rY	Static color Red & Amber
		C.L.gb	Static color Green & Blue
		C.L.gu	Static color Green & White
		C.L.gY	Static color Green & Amber
		C.L.bu	Static color Blue & White
		C.L.bY	Static color Blue & Amber
		C.L.uY	Static color White & Amber
		rgb-	Static color Red, Green & Blue
		rgbu	Static color Red, Green, Blue & White
rgbY	Static color Red, Green, Blue & Amber		
C.L.FL	Static color All		

## Configuration (DMX)

Set the product in DMX mode to control with a DMX controller.

1. Connect the product to a suitable power outlet.
2. Turn the product on.
3. Connect a DMX cable from the DMX output of the DMX controller to the DMX input socket on the product.

## Starting Address

When selecting a starting DMX address, always consider the number of DMX channels the selected DMX mode uses. If you choose a starting address that is too high, you could restrict the access to some of the product's channels.

The Hemisphere™ 5.1 uses up to 512 DMX channels in DMX mode, which defines the highest configurable address to **508**.

If unfamiliar with DMX, download the DMX Primer from the CHAUVET® website.

To select the starting address, do the following:

1. Press **<MENU>** repeatedly until **5ch** shows on the display. If DMX address already displays, go to step 3.
2. Press **<ENTER>** to display DMX address.
3. Use **<UP>** or **<DOWN>** to select the starting address.
4. Press **<ENTER>**.



If you are unfamiliar with DMX, download the DMX Primer from [www.chauvetlighting.com](http://www.chauvetlighting.com).

## DMX Values

5-CH	Channel	Function	Value	Setting
1	Auto Programs	000 ∘ 009	Blackout	
		010 ∘ 019	Red	
		020 ∘ 029	Green	
		030 ∘ 039	Blue	
		040 ∘ 049	White	
		050 ∘ 059	Amber	
		060 ∘ 069	Red/Green	
		070 ∘ 079	Red/Blue	
		080 ∘ 089	Red/White	
		090 ∘ 099	Red/Amber	
		100 ∘ 109	Green/Blue	
		110 ∘ 119	Green/White	
		120 ∘ 129	Green/Amber	
		130 ∘ 139	Blue/White	
		140 ∘ 149	Blue/Amber	
		150 ∘ 159	White/Amber	
		160 ∘ 169	Red/Green/Blue	
170 ∘ 179	Red/Green/Blue/White			
180 ∘ 189	Red/Green/Blue/Amber			
190 ∘ 199	Red/Green/Blue/White/Amber			
200 ∘ 229	Auto Program			
230 ∘ 255	Sound-Active mode			
2	Strobe	000 ∘ 009	No Function	
		010 ∘ 255	Strobe (0~13 Hz)	
3	Auto Program Speed	000 ∘ 255	0~100% (Ch. 1: 200~229)	
4	Rotation	000 ∘ 009	Stop	
		010 ∘ 119	Rotate left (slow to fast)	
		120 ∘ 129	Stop	
		130 ∘ 255	Rotate right (slow to fast)	
5	Dimmer	000 ∘ 255	0~100%	

---

## Configuration (Standalone)

To control the product without a DMX controller, connect the product to a suitable power outlet and set the product in one of the three standalone modes below.



**Never connect a product that is operating in any standalone mode (Sound-Active, Automatic, or Master/Slave) to a DMX string connected to a DMX controller. Products in standalone mode may transmit DMX signals that could interfere with the DMX signals from the controller.**

### Sound-Active Mode

To enable the Sound-Active mode, follow the instructions below:

1. Press **<MENU>** repeatedly until **SoUn** shows on the display.
2. Press **<ENTER>**.
3. Turn the music on and adjust the microphone sensitivity knob until the product starts responding to the beat of the music.



**The product will only respond to low frequencies of music (bass and drums).**

### Automatic Mode

To enable an Automatic mode, follow the instructions below.

#### Manually selecting an Auto program:

1. Press **<MENU>** repeatedly until **Pr.XX** shows on the display.
2. Press **<ENTER>**.
3. Use **<UP>** or **<DOWN>** to select the automatic program from **Pr.01** to **Pr.14**.
4. Press **<ENTER>**.

#### Automatically running an Auto program:

1. Press **<MENU>** repeatedly until **AUTO** shows on the display.
2. Press **<ENTER>**.

### Master/Slave Mode

The Master/Slave mode allows a single Hemisphere™ 5.1 product (the “master”) to control the actions of one or more Hemisphere™ 5.1 product (the “slaves”) without the need of a DMX controller. The master unit will be set to operate in either Automatic or Sound-Active mode, while the slave units will be set to operate in Slave mode. Once set and connected, the slave units will operate in unison with the master unit.

Configure the units as indicated below.

#### Slave units:

1. Press **<MENU>** repeatedly until **SLAU** shows on the display.
2. Press **<ENTER>** to accept.
3. Set the DMX address to **d.001**.
4. Connect the DMX input of the first slave unit to the DMX output of the master unit.
5. Connect the DMX input of the subsequent slave units to the DMX output of the previous slave unit.
6. Finish setting and connecting all the slave units.

#### Master unit:

1. Set the master unit to operate in either Automatic or Sound-Active mode.
2. Make the master unit is the first unit within the DMX daisy chain.

• **Configure all the slave units before connecting the master unit to the DMX daisy chain.**



• **Never connect a DMX controller to a DMX string configured for Master/Slave operation because the controller may interfere with the signals from the master unit.**

• **Do not connect more than 31 slave units to the master unit.**

---

## 5. TECHNICAL INFORMATION

### **Product Maintenance**

Dust build-up reduces light output performance and can cause overheating. This can lead to reduction of the light source's life and mechanical wear. To maintain optimum performance and minimize wear, you should clean your lighting products at least twice a month. However, be aware that usage and environmental conditions could be contributing factors to increase the cleaning frequency.

To clean the product, follow the instructions below.

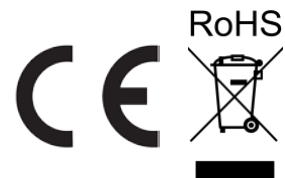
- Unplug the product from power.
- Wait until the product is at room temperature.
- Use a vacuum (or dry compressed air) and a soft brush to remove dust collected on the external surface.
- Clean all external optics and transparent surfaces with a mild soap solution, ammonia-free glass cleaner, or isopropyl alcohol.
- Apply the solution directly to a soft, lint-free cotton cloth or a lens cleaning tissue.
- Softly drag any dirt or grime off the transparent surfaces.
- Gently polish the transparent surfaces until they are free of haze and lint.



**Always dry the external transparent surfaces carefully after cleaning them.**

## 6. TECHNICAL SPECIFICATIONS

<b>Dimensions and Weight</b>	<b>Length</b>	<b>Width</b>	<b>Height</b>	<b>Weight</b>
	10.7 in (272 mm)	10.7 in (272 mm)	10 in (254 mm)	6.4 lb (2.9 kg)
<b>Note:</b> Dimensions in inches rounded to the nearest decimal digit.				
<b>Power</b>	<b>Power Supply Type</b>	<b>Range</b>	<b>Voltage Selection</b>	
	Switching (internal)	100~240 VAC, 50/60 Hz	Auto-ranging	
	<b>Parameter</b>	<b>120 V, 60 Hz</b>	<b>230 V, 50 Hz</b>	
	Consumption	38 W	43 W	
	Operating current	0.4 A	0.2 A	
<b>Power I/O</b>	<b>Power I/O</b>	<b>US/Worldwide</b>	<b>UK/Europe</b>	
	Power input connector	IEC	IEC	
	Power output connector	Edison	IEC	
	Power Cord plug	Edison (US)	Local plug	
<b>Light Source</b>	<b>Type</b>	<b>Power</b>	<b>Lifespan</b>	
	LED	3 W	50,000 hours	
<b>Photo Optic</b>	<b>Color</b>	<b>Quantity</b>	<b>Current</b>	
	Red	1	730 mA	
	Green	1	730 mA	
	Blue	1	730 mA	
	White	1	730 mA	
	Amber	1	730 mA	
<b>Thermal</b>	<b>Parameter</b>	<b>Value</b>		
	Coverage Angle	360°		
<b>DMX</b>	<b>Maximum External Temp.</b>	<b>Cooling System</b>		
	104 °F (40 °C)	Convection		
<b>Ordering</b>	<b>I/O Connectors</b>	<b>Connector Type</b>	<b>Channel Range</b>	
	3-pin XLR	Sockets	5	
<b>Ordering</b>	<b>Product Name</b>	<b>Item Code</b>	<b>Item Number</b>	
	Hemisphere 5.1	03050164	HEMISPHERE5.1	



---

## Returns

In case you need to return a product or request support, follow the procedure below:

- If you live in the U.S., contact CHAUVET® World Headquarters (see below).
- If you live in the UK or Ireland, contact CHAUVET® Europe Ltd. (see below).
- If you live in any other country, DO NOT contact CHAUVET®. Instead, contact your distributor of record. See [www.chauvetlighting.com](http://www.chauvetlighting.com) for distributors outside the U.S., United Kingdom, or Ireland.



**If you live outside the U.S., United Kingdom, or Ireland, contact your distributor of record and follow their instructions on how to return CHAUVET® products to them. Visit our website for contact details.**

Call the corresponding CHAUVET® Tech Support office and request a Return Merchandise Authorization (RMA) number before shipping the product. Be prepared to provide the model number, serial number, and a brief description of the cause for the return.

You must send the merchandise prepaid, in its original box, and with its original packing and accessories. CHAUVET® will not issue call tags.

Clearly mark the package with the RMA number on the label. CHAUVET® will refuse any product returned without an RMA number.



**Write the RMA number on a properly affixed label. DO NOT write the RMA number directly on the box.**

Before sending the product, clearly write the following information on a piece of paper and place it inside the box:

- Your name
- Your address
- Your phone number
- RMA number
- A brief description of the problem

Be sure to pack the product properly. Any shipping damage resulting from inadequate packaging will be your responsibility. FedEx packing or double-boxing is recommended.



**CHAUVET® reserves the right to use its own discretion to repair or replace returned product(s).**

## Contact Us

### World Headquarters

CHAUVET®

#### General Information

Address: 5200 NW 108th Avenue  
Sunrise, FL 33351  
Voice: (954) 577-4455  
Fax: (954) 929-5560  
Toll free: (800) 762-1084

#### Technical Support

Voice: (954) 577-4455 (Press 4)  
Fax: (954) 756-8015  
Email: [tech@chauvetlighting.com](mailto:tech@chauvetlighting.com)

#### World Wide Web

[www.chauvetlighting.com](http://www.chauvetlighting.com)

### United Kingdom & Ireland

CHAUVET® Europe Ltd.

#### General Information

Address: Unit 1C  
Brookhill Road Industrial Estate  
Pinxton, Nottingham, UK  
NG16 6NT  
Voice: +44 (0)1773 511115  
Fax: +44 (0)1773 511110

#### Technical Support

Email: [uktech@chauvetlighting.com](mailto:uktech@chauvetlighting.com)

#### World Wide Web

[www.chauvetlighting.co.uk](http://www.chauvetlighting.co.uk)