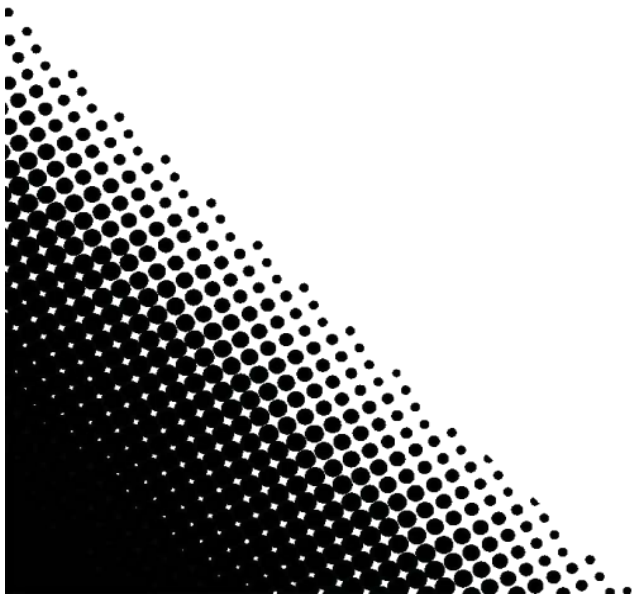
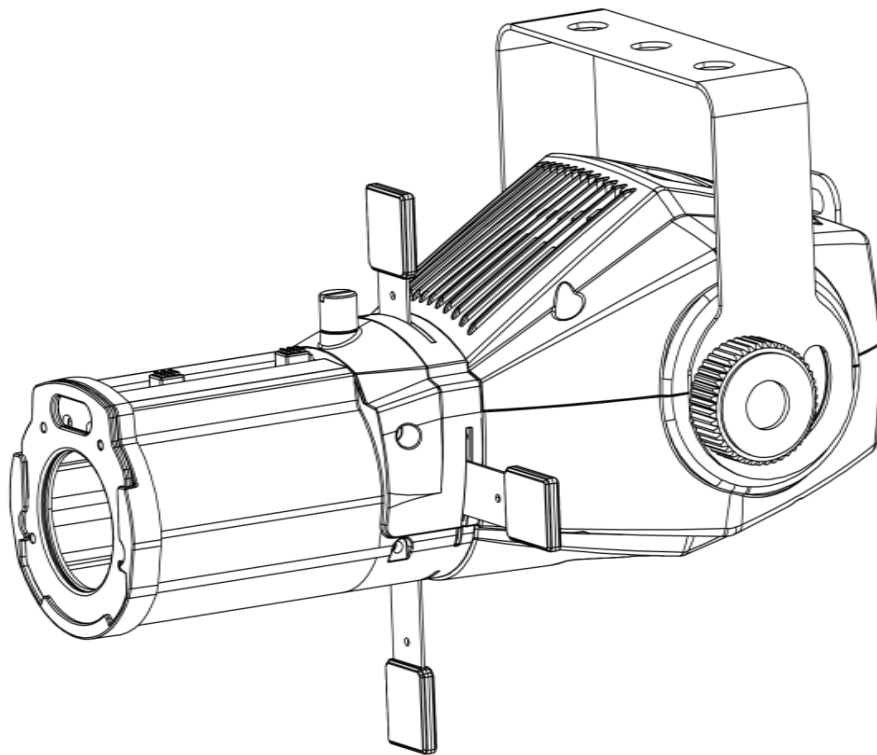


LFS-5D

User Manual




CHAUVET[®]
It's
Green Thinking.

TABLE OF CONTENTS

Before You Begin.....	3
What Is Included.....	3
Unpacking Instructions.....	3
Claims	3
Manual Conventions.....	3
Symbols.....	3
Disclaimer.....	3
Product at a Glance.....	4
Safety Notes.....	4
Introduction.....	5
Product Description	5
Overview	5
Dimensions.....	6
Setup	7
AC Power	7
Fuse Replacement	7
Dimming	7
Power Linking.....	8
Power Linking Diagram	8
Mounting.....	8
Mounting Diagram.....	8
Operation.....	9
Gobos.....	9
Included Gobos	9
Changing Gobos	9
Gobo Access Diagram	9
Gel Frame	10
Gel Frame Diagram.....	10
Powering On And Dimming.....	10
Technical Information.....	11
Product Maintenance	11
Technical Specifications	12
Dimensions and Weight	12
Power	12
Light Source	12
Photometrics	12
Accessories.....	12
Ordering	12
Returns.....	13
Contact Us.....	14

BEFORE YOU BEGIN

- What Is Included**
- LFS-5D
 - Power cord
 - 4 Framing shutters
 - 4 Metal gobos
 - Warranty Card
 - Quick Reference Guide

Unpacking Instructions Carefully unpack the LFS-5D and check that all the parts are in the package, and are in good condition.




Claims If the box, or any of the contents, appear damaged from shipping, save all the packaging and file a claim with the carrier immediately. Failure to report damage to the carrier immediately, or failure to save all the packaging, can invalidate a claim.

For other issues, such as missing components or parts, damage not related to shipping, or concealed damage, file a claim with Chauvet within 7 days of delivery. See [Contact Us](#).

Manual Conventions

Convention	Meaning
1–512	A range of values
50/60	A set of values
Settings	A menu option
Menu > Settings	A sequence of menu options
<ENTER>	A button

Symbols

Convention	Meaning
	Critical information. Ignoring it can cause malfunction, damage the product, or harm the operator.
	Important information. Ignoring it can cause the product to malfunction.
	Useful information.

Disclaimer The information and specifications contained in this User Manual are subject to change without notice. Chauvet assumes no responsibility or liability for any errors or omissions, and reserves the right to revise or recreate this manual at any time. The latest version of this manual can be downloaded from <http://www.chauvetlighting.com/product-manuals-literature/>.

© Copyright 2015 Chauvet. All rights reserved.

Printed in the P.R.C.

Electronically published by Chauvet in the United States of America.

Author	Date	Editor	Date
M. Trouard	12/03/2014	A. Leon	01/14/15

Product at a Glance	Use on Dimmer	X	Auto Program	X
	Outdoor Use	X	Auto-Ranging Power Supply	X
	Sound-Activated	X	Replaceable Fuse	P
	DMX	X	User-Serviceable	X
	Master/Slave	X		

Safety Notes These notes include important information about the mounting, use, and maintenance of this product. Read these notes before using the product.



- Always connect the product to a grounded circuit.
- Make sure the power cord is not crimped or damaged.
- Always disconnect the product from the power source before cleaning it or replacing the fuse.
- Never disconnect the product from the power source by pulling or tugging on the cord.
- Always secure the product with a safety cable when mounting it overhead.
- Keep the product away from flammable materials.
- Avoid direct eye exposure to the light source while the product is on.
- Do not touch the housing when the product is operating.



- The product is not intended for permanent installation.
- Use the product indoors only.
- Do not expose the product to rain or moisture.
- Make sure that the power source voltage is within the range stated on the label or on the rear panel of the product.
- Always replace the fuse with another fuse of the same type and rating.
- Always install the product in a location with adequate ventilation, and leave at least 20 in (50 cm) between the product and adjacent surfaces.
- Do not block the ventilations slots on the product housing.
- Do not operate the product in an ambient temperature higher than 104 °F (40 °C).
- Always carry the product by the hanging or mounting bracket.
- In the event of a serious operating problem, stop using the product immediately.
- Never try to repair the product. Repairs carried out by untrained people can lead to damage or malfunction.
- If repairs are required, contact the nearest authorized technical assistance center.
- To eliminate unnecessary wear and improve its lifespan, during periods of non-use completely disconnect the product from power via breaker or by unplugging it.



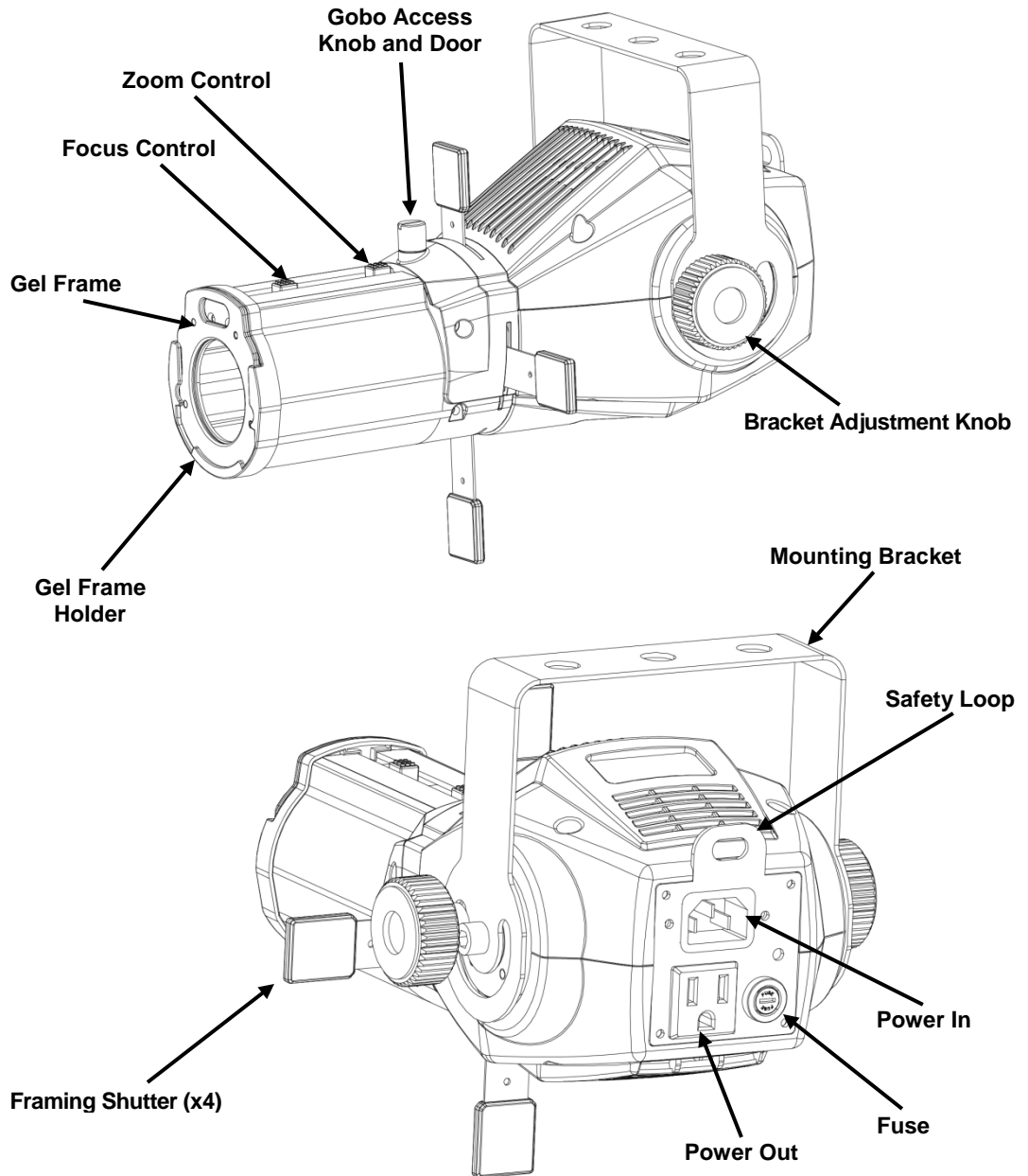
- Keep this User Manual for future reference. If you sell the product to another user, be sure to give this manual to the next owner.

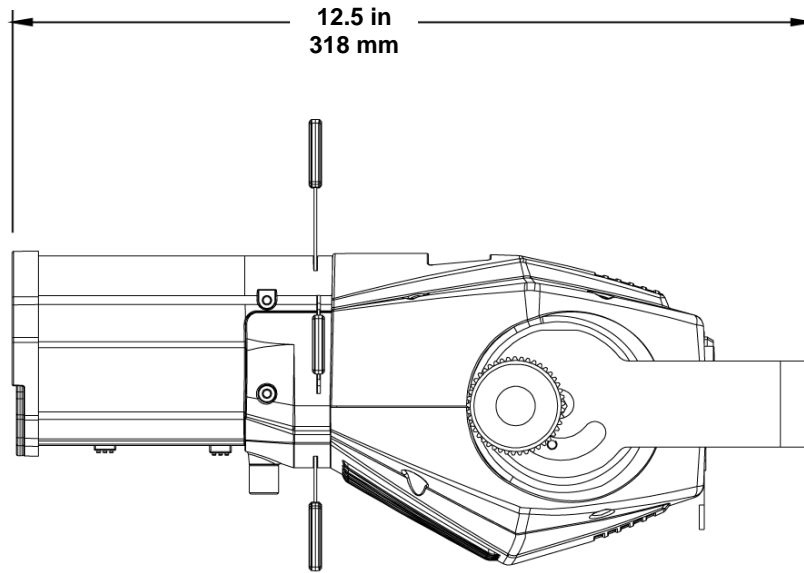
INTRODUCTION

Product Description

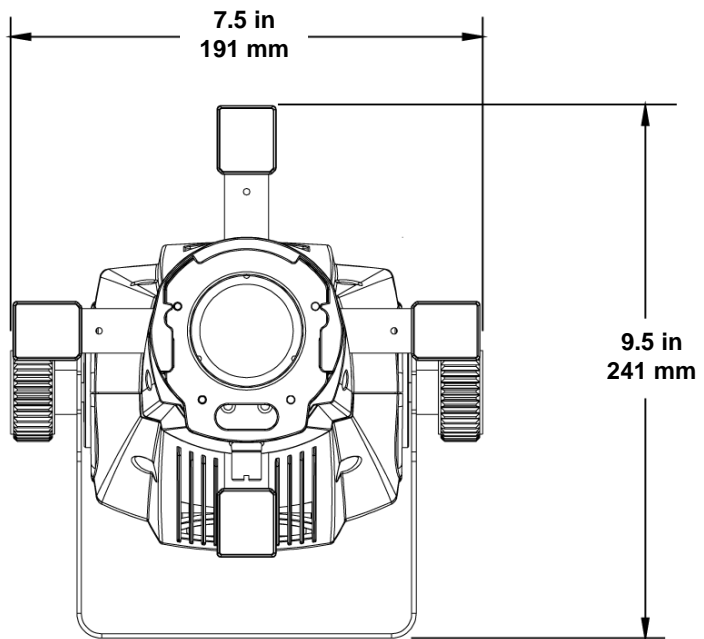
The LFS-5D is a compact, dimmable LED spot light with framing shutters and a zoom range of 16° to 24°. The LFS-5D comes with 4 metal gobos, and can be used with custom-made gobos of transparent material for colorful projections.

Overview





Dimensions



SETUP

AC Power The LFS-5D has an internal auto-ranging power supply and it can work with an input voltage range of 100 to 240 VAC, 50/60 Hz.

To determine the product's power requirements (circuit breaker, power outlet, and wiring), use the current value listed on the label affixed to the product's back panel, or refer to [Technical Specifications](#) in this manual. The listed current rating indicates the product's average current draw under normal conditions.

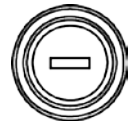
For more information, you may download Sizing Circuit Breakers from the Chauvet website: www.chauvetlighting.com/download/.



· **Always connect the product to a protected circuit and make sure the product has an electrical ground.**

Fuse Replacement

1. Disconnect the product from power.
2. Use a flathead screwdriver to unscrew the fuse holder cap from the housing.
3. Remove the blown fuse.
4. Insert a new fuse of the exact same type and rating.
5. Use a flathead screwdriver to screw the fuse holder cap into the housing.
6. Reconnect the product to power.



Always replace a blown fuse with another of the same type and rating.



A spare fuse is not included; however, the safety cap has room for a spare.

Dimming

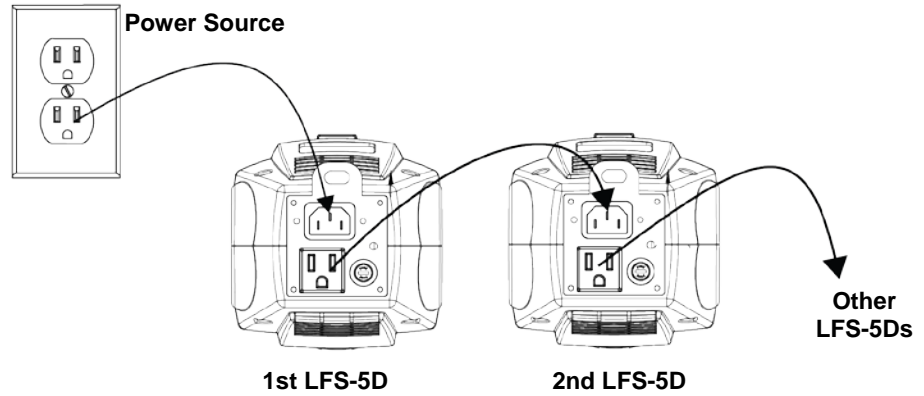
The LFS-5D can be used with any type of dimmer. Using a dimmer controls the intensity of the light allowing fades up and down.

Power Linking Power linking is daisy chaining products together through their Power In and Power Out sockets allowing many products to be powered from one outlet.

Up to 23 LFS-5D products can be power linked at 120 V or up to 45 LFS-5D products can be power linked at 230 V.

The diagram below illustrates power-linking.

Power Linking Diagram



- Do not power link more than 23 LFS-5D at 120 V.
- Do not power link more than 45 LFS-5D at 230 V.
- The power linking diagram above shows the North American version. When using the LFS-5D anywhere other than North America, consult with the local Chauvet distributor for information on local requirements.

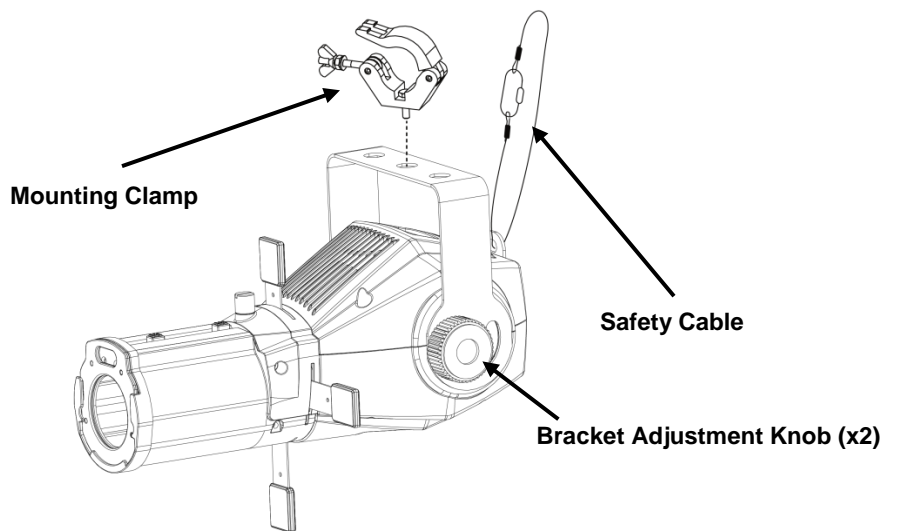
Mounting Before mounting the product, read and follow the recommendations in [Safety Notes](#).

Mount the LFS-5D on, or from, a structure or surface that can support its weight. For the product's weight, see [Technical Specifications](#).

When mounting the LFS-5D overhead secure it to a pipe or truss, using a mounting clamp and safety cable, such as the CHAUVET® CLP-15 clamp and CH-05 safety cable.

Use the bracket adjustment knobs to aim the LFS-5D as desired, but loosen or tighten the bracket knobs manually because using tools can damage the knobs.

Mounting Diagram



OPERATION

Gobos Gobos make patterns in the light and can be customized for special events. The LFS-5D uses V size gobos, which are gobos that have a 25.4 mm outside measurement, a 19 mm image size and a 1 mm maximum thickness.

The following gobos are included, but any gobo of the correct size can be used.

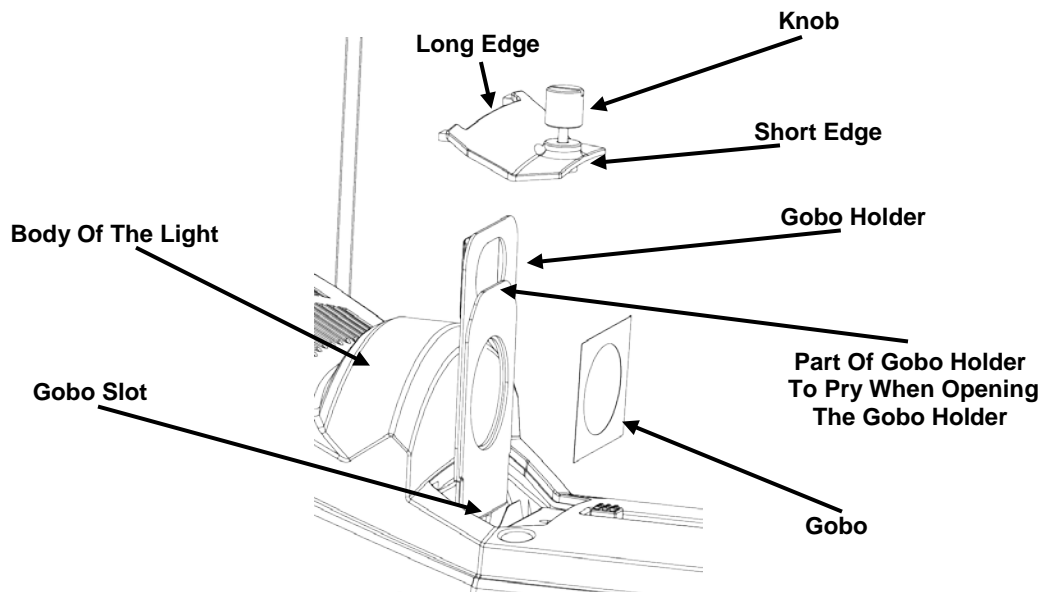
Included Gobos



Changing Gobos To change the gobos in the LFS-5D, do the following:

1. Turn off and disconnect the product from power.
2. Place the product on a flat, level surface.
3. Loosen the gobo access door knob.
4. Remove the gobo access door by pressing the knob towards the body of the light and gently popping the short edge of the door up.
5. Pull the gobo holder out of the gobo slot.
6. Gently pry the gobo holder open so the gobo falls out.
7. Keep the gobo holder pried open and insert a different gobo making sure that the gobo sits in the center of the gobo holder.
8. Slide the gobo holder back into the gobo slot.
9. Replace the gobo access door by putting the wider edge in place and then using the knob to press the narrow edge down until the door clicks into place.
10. Tighten the gobo access door knob.

Gobo Access Diagram

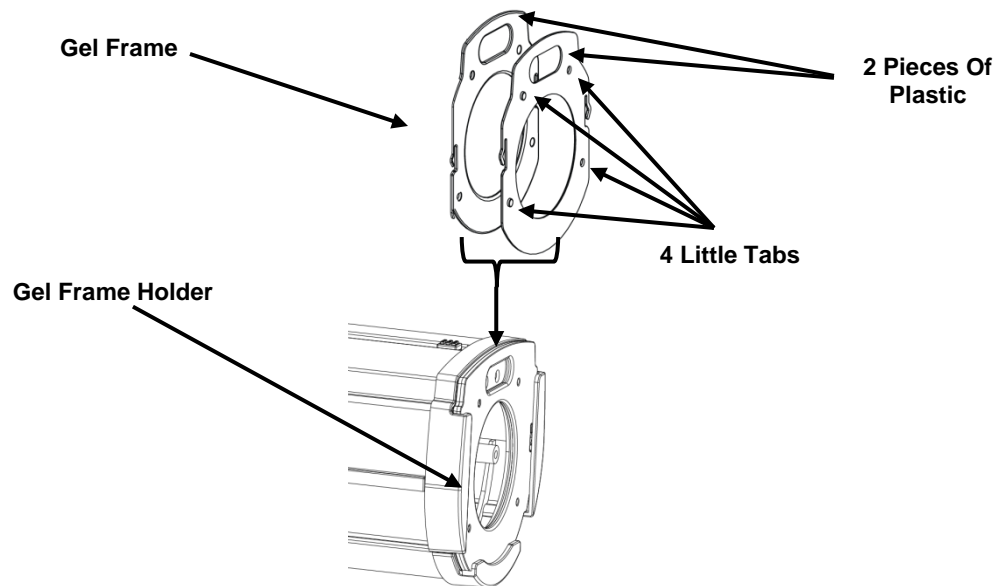


Gel Frame The LFS-5D has a gel frame so that gel can be used to color the light. The gel frame is 2 flat pieces of plastic with 4 little tabs that snap the pieces of plastic together. The gel goes in between these 2 flat pieces of plastic and the gel frame sits in the gel frame holder at the front end of the light.

To place gel into the gel frame, do the following

1. Pull the gel frame out of the gel frame holder.
2. Pry the gel frame apart.
3. Place the gel in between the two flat pieces of plastic.
4. Press the gel frame together.
5. Push the gel frame back into the gel frame holder.

Gel Frame Diagram



Powering On And Dimming The LFS-5D comes on when plugged into power because it does not have a power switch. However the LFS-5D can be connected to any type of dimmer or an in-line switch for remote control.

TECHNICAL INFORMATION

Product Maintenance Dust build-up reduces light output performance and can cause overheating. To maintain optimum performance, clean the product at least twice a month. However, usage and environmental conditions contribute to increasing the cleaning frequency.

To clean the product, follow the instructions below:

1. Unplug the product from power.
2. Wait until the product is at room temperature.
3. Use a vacuum (or dry compressed air) and a soft brush to remove dust collected on the external and internal surfaces.

The LFS-5D cannot be taken apart for cleaning, so carefully blow dust out of the unit from the front where the lenses are located and the back where the ventilation fans are located.



Do not spin the cooling fans using compressed air because you could damage them.

TECHNICAL SPECIFICATIONS

Dimensions and Weight	Length	Width	Height	Weight
	12.5 in (318 mm)	7.5 in (191 mm)	9.5 in (241 mm)	3.2 lb (1.5 kg)
Note: Dimensions in inches rounded to the nearest decimal digit.				
Power	Input Voltage	Range	Voltage Selection	
	Voltage Specific	120 V, 60 Hz or 230 V, 50 Hz	Fixed	
	Parameter	120 VAC, 60 Hz	230 VAC, 50 Hz	
	Consumption	52 W	56 W	
	Operating current	0.4 A	0.2 A	
	Power linking current (units)	10.4 A (23 units)	10.4 A (45 units)	
	Fuse	F 2 A, 250 V	F 2 A, 250 V	
	Power I/O	US/Canada	Worldwide	
Power input connector	IEC	IEC		
Light Source	Type	Power	Lifespan	
	LED	23 W	50,000 hours	
	Color	Quantity	Current	
	White	1	15.3 A	
Photometrics	Parameter	Value		
	Zoom Angle	16° to 24°		
	Illuminance @ 2 m (16°)	2,300 lux		
	Illuminance @ 2 m (24°)	1,050 lux		
Accessories	Item	Specifications		
	Gobos	25.4 mm outside, 19 mm image 1 mm max thickness (size V)		Plastic or Metal
Ordering	Item Name	Item Code	UPC Code	
	LFS-5D	08030653 (120 V)	781462210014 (120 V)	
		08030663 (230 V)	781462210113 (230 V)	



RETURNS

To return a product or request support:

- In the U.S., contact Chauvet World Headquarters. See [Contact Us](#).
- In the UK or Ireland, contact Chauvet Europe Ltd. See [Contact Us](#).
- In Mexico, contact Chauvet Mexico. See [Contact Us](#).
- In any other country, DO NOT contact Chauvet. Contact your distributor. See www.chauvetlighting.com for distributors outside the U.S., United Kingdom, Ireland, or Mexico.



If you live outside the U.S., United Kingdom, Ireland, or Mexico, contact your distributor of record and follow their instructions on how to return CHAUVET® products to them. Visit our website for contact details.

Call the corresponding Chauvet Technical Support office and request a Return Merchandise Authorization (RMA) number before shipping the product. Be prepared to provide the model number, serial number, and a brief description of the cause for the return.

You must send the merchandise prepaid, in its original box, and with its original packing and accessories. Chauvet will not issue call tags.

Clearly label the package with the RMA number. Chauvet will refuse any product returned without an RMA number.



Write the RMA number on a properly affixed label. DO NOT write the RMA number directly on the box.

Before sending the product, clearly write the following information on a piece of paper and place it inside the box:

- Your name
- Your address
- Your phone number
- RMA number
- A brief description of the problem

Be sure to pack the product properly. Any shipping damage resulting from inadequate packaging will be your responsibility. FedEx packing or double-boxing is recommended.



Chauvet reserves the right to use its own discretion to repair or replace returned product(s).

CONTACT Us

WORLD HEADQUARTERS - Chauvet

General Information

Address: 5200 NW 108th Avenue
Sunrise, FL 33351
Voice: (954) 577-4455
Fax: (954) 929-5560
Toll free:

Technical Support

Voice: (954) 577-4455 (Press 4)
Fax: (954) 756-8015
Email: tech@chauvetlighting.com

World Wide Web www.chauvetlighting.com

UNITED KINGDOM AND IRELAND - Chauvet Europe Ltd.

General Information

Address: Unit 1C
Brookhill Road Industrial Estate
Pinxton, Nottingham, UK
NG16 6NT
Voice: +44 (0)1773 511115
Fax: +44 (0)1773 511110

Technical Support

Email: uktech@chauvetlighting.com

World Wide Web www.chauvetlighting.co.uk

MEXICO - Chauvet Mexico

General Information

Address: Av. Santa Ana 30
Parque Industrial Lerma
Lerma, Mexico C.P. 52000
Voice: +52 (728) 285-5000

Technical Support

Email: servicio@chauvet.com.mx

World Wide Web www.chauvet.com.mx

Outside the U.S., United Kingdom, Ireland, or Mexico, contact your dealer. Follow their instructions to request support or to return a product. Visit our website for contact details.