

Slim**PAR™ PRO** RGBA

User Manual

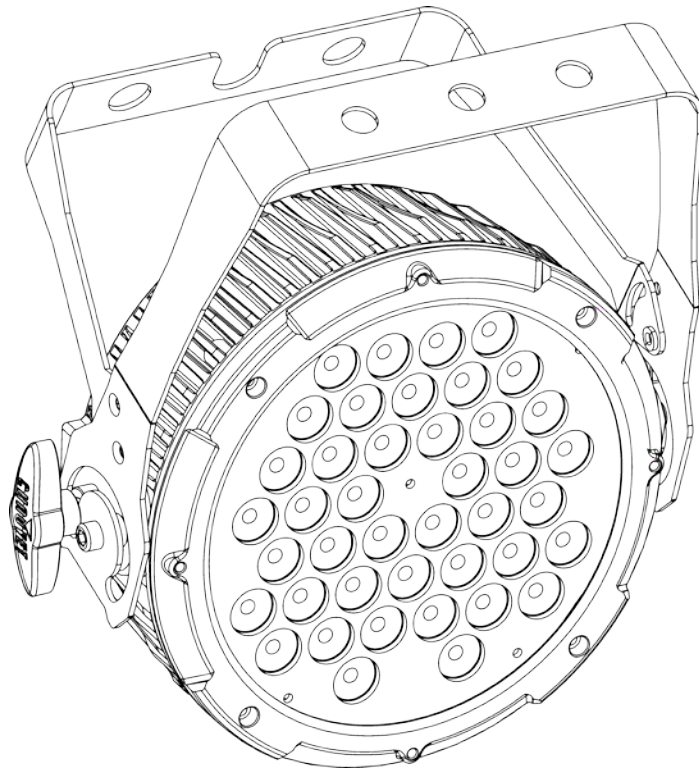


TABLE OF CONTENTS

1. BEFORE YOU BEGIN	3
WHAT IS INCLUDED.....	3
UNPACKING INSTRUCTIONS.....	3
MANUAL CONVENTIONS.....	3
ICONS.....	3
SAFETY NOTES.....	4
2. INTRODUCTION	5
PRODUCT OVERVIEW.....	6
3. SETUP	7
AC POWER.....	7
<i>Power Linking</i>	7
MOUNTING.....	8
<i>Orientation</i>	8
<i>Rigging</i>	8
LENS ASSEMBLY REPLACEMENT.....	9
4. OPERATING INSTRUCTIONS	10
CONFIGURING THE STARTING ADDRESS.....	10
CONTROL PANEL FUNCTIONS.....	10
MENU MAP.....	10
DMX OPERATION.....	11
MASTER/SLAVE MODE.....	11
STANDALONE.....	11
<i>Automatic</i>	11
<i>Static Color</i>	11
<i>Custom Static Color</i>	11
DMX CHANNEL VALUES.....	12
5. APPENDIX	13
MAINTENANCE.....	13
RETURNS.....	13
CLAIMS.....	13
TECHNICAL SPECIFICATIONS	14
CONTACT US	15

1. BEFORE YOU BEGIN

What is Included

- SlimPAR™ Pro RGBA
- Hanging Bracket with Mounting Hardware
- Gel Holder
- Power Cord
- Warranty Card
- Quick Reference Guide

Unpacking Instructions

Immediately upon receiving a fixture, carefully unpack the carton, check the contents to ensure that all parts are present, and have been received in good condition. Notify the shipper immediately and retain packing material for inspection if any parts appear damaged from shipping or the carton itself shows signs of mishandling. Save the carton and all packing materials. In the event that a fixture must be returned to the factory, it is important that the fixture be returned in the original factory box and packing.




Manual Conventions

CHAUVET® manuals use the following conventions to differentiate certain types of information from the regular text.

CONVENTION	MEANING
[10]	A DIP switch to be configured
<Menu>	A key to be pressed on the fixture's control panel
1—512	A range of values
50/60	A set of values of which only one can be chosen
Settings	A menu option not to be modified (for example, showing the operating mode/current status)
MENU > Settings	A sequence of menu options to be followed
ON	A value to be entered or selected

Icons

This manual uses the following icons to indicate information that requires special attention on the part of the user.

ICONS	MEANING
	This paragraph contains critical installation, configuration or operation information. Failure to comply with this information may render the fixture partially or completely inoperative, cause damage to the fixture or cause harm to the user.
	This paragraph contains important installation or configuration information. Failure to comply with this information may prevent the fixture from functioning correctly.
	This paragraph reminds you of useful, although not critical, information.

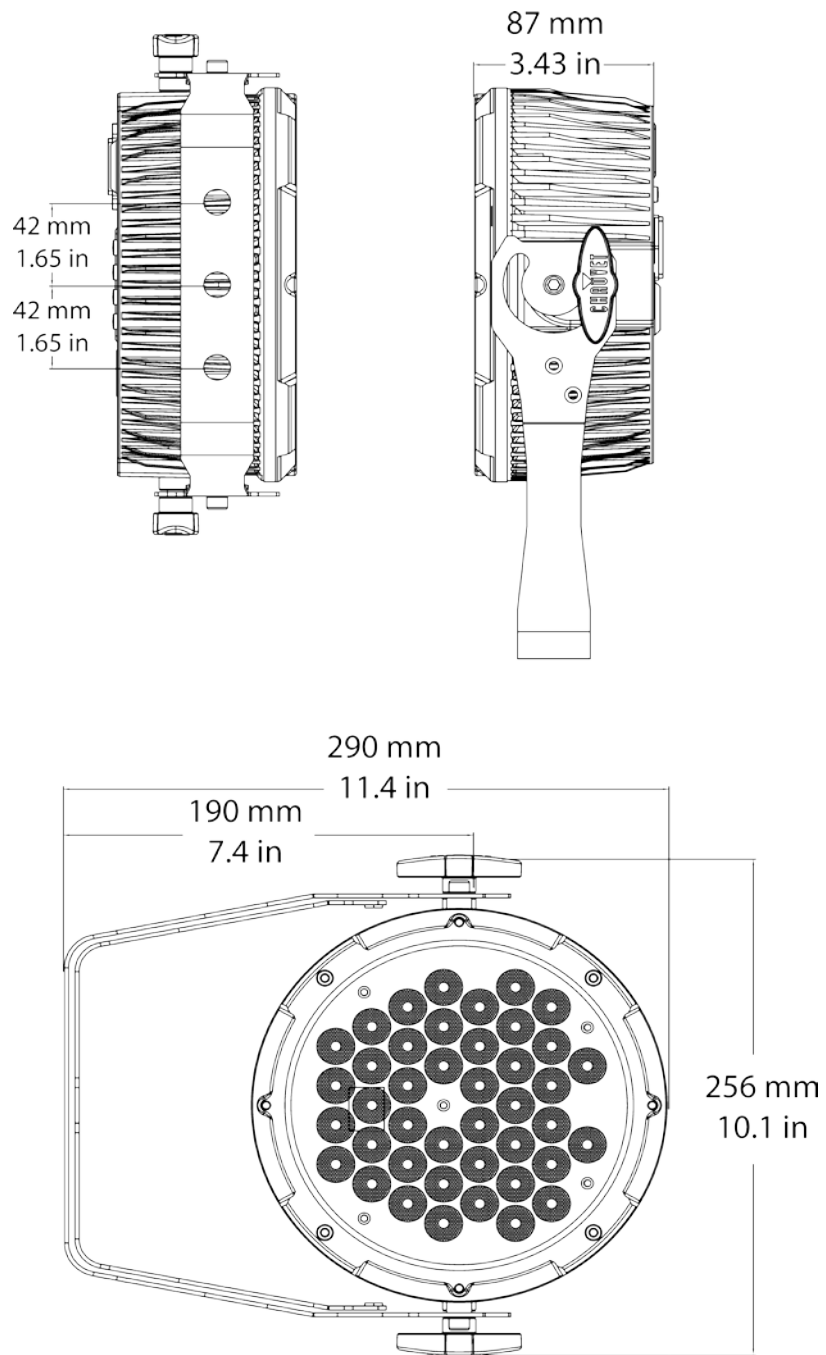
Safety Notes



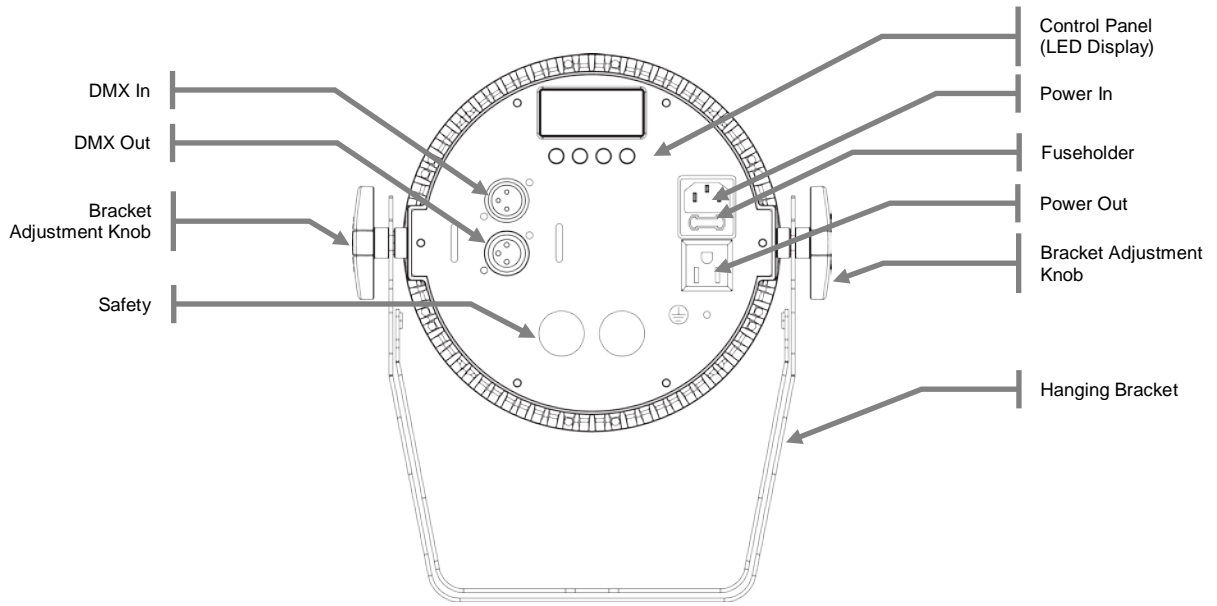
Please read these instructions carefully. It includes important information about the installation, usage and maintenance of this product.

- Please keep this User Manual for future consultation. If you sell the unit to another user, be sure that they also receive this instruction booklet.
- Always make sure that you are connecting to the proper voltage, and that the line voltage you are connecting to is not higher than that stated on the decal or rear panel of the fixture.
- This product is intended for indoor use only! To prevent risk of fire or shock, do not expose fixture to rain or moisture.
- Make sure there are no flammable materials close to the unit while operating.
- The unit must be installed in a location with adequate ventilation, at least 20 in (50 cm) from adjacent surfaces. Be sure that no ventilation slots are blocked.
- Always disconnect from power source before servicing or replacing fuse and be sure to replace with same fuse source.
- Secure fixture to fastening device using a safety chain.
- Maximum ambient temperature (Ta) is 104° F (40° C). Do not operate fixture at temperatures higher than this.
- In the event of a serious operating problem, stop using the unit immediately. Never try to repair the unit by yourself. Repairs carried out by unskilled people can lead to damage or malfunction. Please contact the nearest authorized technical assistance center.
- Never connect the device to a dimmer pack.
- Make sure the power cord is never crimped or damaged.
- Never disconnect the power cord by pulling or tugging on the cord.
- Never carry the fixture directly from the cord. Always use the hanging/mounting bracket.
- Avoid direct eye exposure to the light source while it is on.

2. INTRODUCTION



Product Overview



3. SETUP

AC Power

This fixture is auto-ranging and runs on 100~240 VAC, 50/60 Hz power.

To determine the power requirements for a particular fixture, see the label affixed to the back plate of the fixture or refer to the fixture's specifications chart. A fixture's listed current rating indicates its average current draw under normal conditions.



Always connect the fixture to a switched circuit. Never connect the fixture to a rheostat (variable resistor) or dimmer circuit, even if the rheostat or dimmer channel is used only as a 0 to 100% switch.



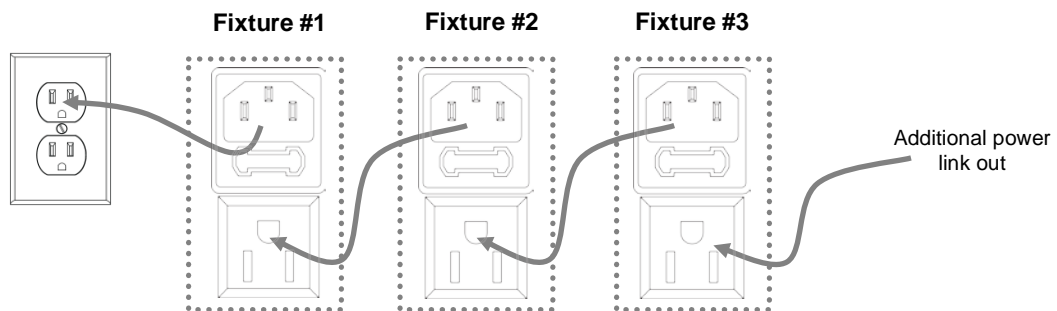
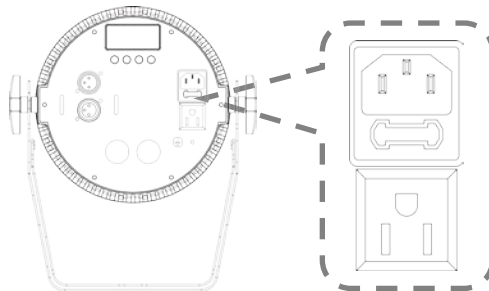
Always connect the fixture to a circuit with a suitable electrical ground.

Power Linking

This fixture contains power linking via the Edison outlet located in front of the power input cable. Please see the diagram below for further explanation.



The maximum quantity of SlimPAR™ Pro RGBA that may be linked is 19.



The power linking shown in this document is for the CHAUVET® North American version ONLY! Therefore, it is the customer's responsibility to check with the Dealer/Distributor regarding power linking on the local version of the product. Connections and availability may change, depending on the power requirements and/or regulations of each country/region.

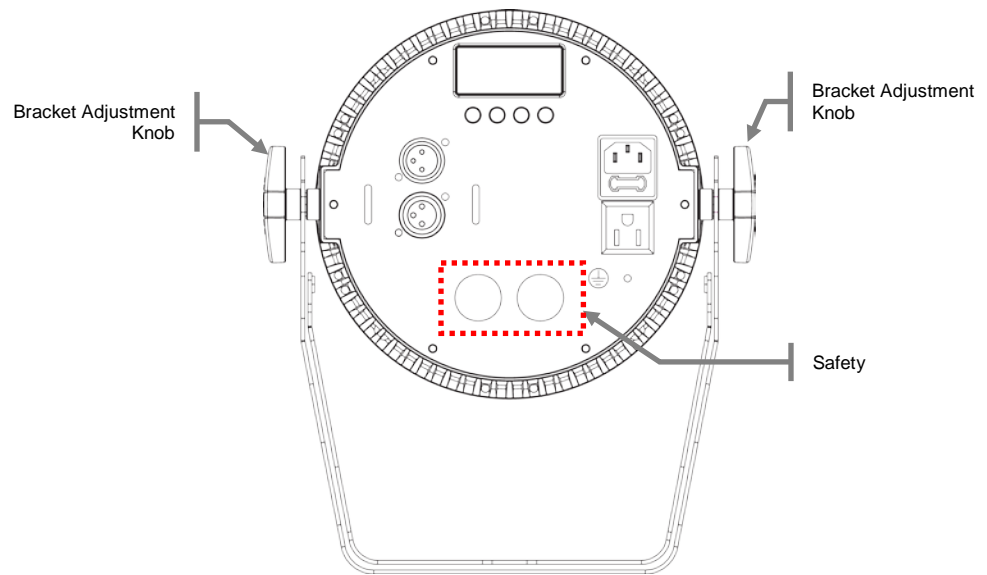
Mounting Orientation

The SlimPAR™ Pro RGBA may be mounted in any position provided there is adequate room for ventilation.

Rigging

Be sure that the structure can support the weight of the fixture. Please see the “Technical Specifications” section of this manual for a detailed weight listing. Mount the fixture securely. This may be done with a screw, nut and bolt, or a hanging clamp. The hole in each bracket is 13 mm in size. When rigging, consider routine maintenance and control panel access. Please see the following notes on installation.

- If the power link out is intended to be used with multiple fixture, take into account the length of each power cable, and mount the fixtures close enough to one another to accommodate for this.
- When aiming the fixtures, you may use the bracket adjustment knob(s). Loosen the knob(s), adjust to the desired angle, and then tighten the knob(s) by turning clockwise. Do not use tools for this step, as it may cause damage.
- Use the rubber feet to support the fixture in a sitting position.
- Safety cables must always be used.

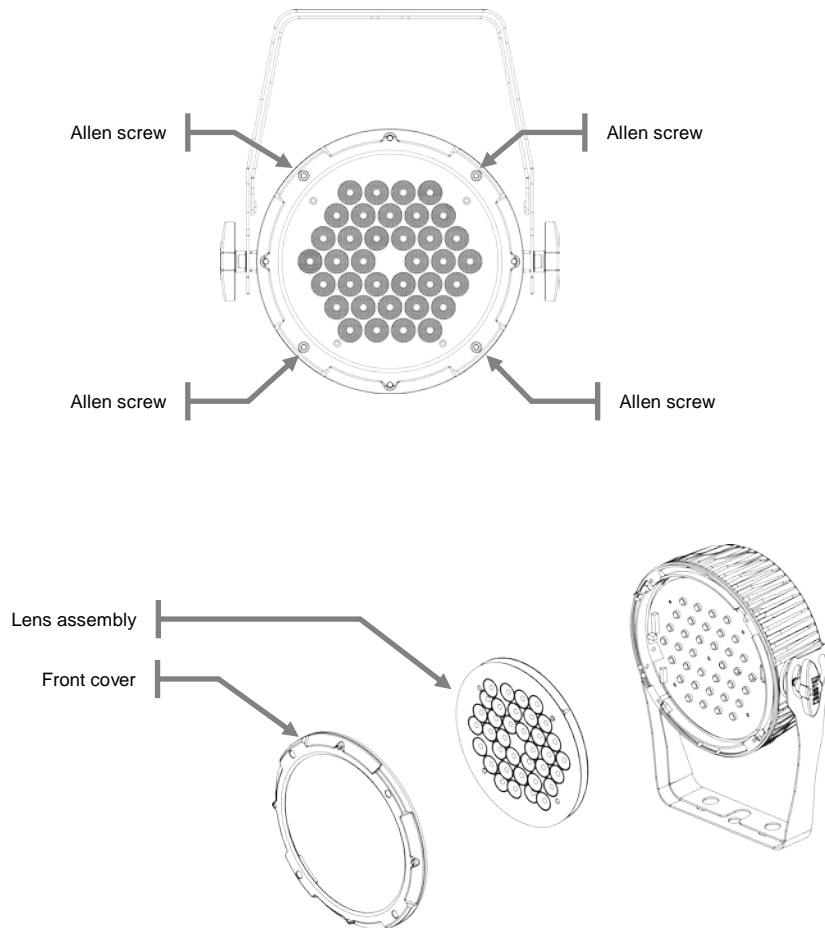


Lens Assembly Replacement

The SlimPAR™ Pro RGBA has an option available to replace the secondary LED optics, or lens assembly. This will alter the beam and field angles of the fixture. The wide-angle lens assembly is installed at the factory. The narrow lens (15°) assembly is available as an optional accessory (item number SPPRGBALENS15).

To replace the lens assembly in the SlimPAR™ Pro RGBA:

1. Remove the four Allen screws from the front trim ring with a #3 metric Allen wrench.
2. Remove the front cover (with glass still attached to the ring).
3. You now have access to the lens assembly. Use a Philips-head screwdriver to remove the five screws that hold it in place.
4. Carefully remove the lens assembly. The LEDs and board will now be exposed. Use caution to prevent damage.
5. Place the new lens assembly in the fixture and reinstall the five Philips screws. Tighten screws as simultaneously as possible to the same tension. Do not over-tighten the screws as this could cause damage.
6. Put the front cover in place and reinstall the five Allen screws.



4. OPERATING INSTRUCTIONS

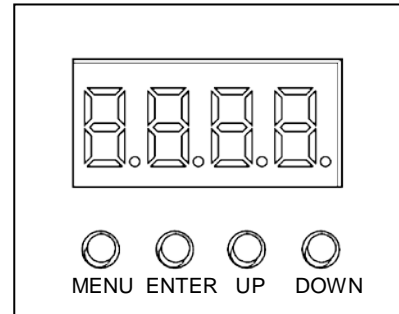
Configuring the Starting Address

The SlimPAR™ Pro RGBA fixture uses **10** DMX channels in its maximum setting. In this DMX configuration/personality, the highest channel that the fixture may be set to in order to function properly is **503**. Any address higher than this will prevent access to all of the channels, while in this mode; however, if you desire to use one of the other DMX channels configurations (personalities), please consider the total DMX channels when selecting a DMX address.

Control Panel Functions

Access control panel functions using the four buttons located directly underneath the LED display on the included wired remote.

BUTTON	FUNCTION
<MENU>	Used to scroll through the current operating mode, as well as back out of the current menu option
<ENTER>	Used to select a move to the right in the menu map and select a value and store it to memory
<UP>	Used to select increasing advancement in the value
<DOWN>	Used to select decreasing advancement in the value



The Control Panel shows the current state of the unit. It is used to select the operating mode, as well as the sub-features. For a detailed layout of the control panel functions, please see the “menu map” section.

Menu Map

MAIN FUNCTION	SELECTION	SUB-SELECTION	DESCRIPTION
DMX Address	AddR	d001~d512	DMX starting address selection
Personality	PERS	10CH	10-channel operating mode
		5 CH	5-channel operating mode: RGBA color mixing with dimmer
		4 CH	4-channel operating mode: RGBA color mixing
Dimming Curve	dIM	OFF	Dimming curve: off
		dIM1	Dimming curve: dim 1
		dIM2	Dimming curve: dim 2
		dIM3	Dimming curve: dim 3
Static Color	C--	C-01	Red
		C-02	Green
		C-03	Blue
		C-04	Amber
		C-05	Cyan
		C-06	Magenta
		C-07	Yellow
		C-08	White
		C-09	Red/Amber
		C-10	Green/Amber
		C-11	Blue/Amber
Custom Static Color	U--	R000~R255	Combine red, green, blue, and amber to create a custom, static color
		G000~G255	
		b000~b255	
		A000~A255	
		S000~S020	Strobe speed (000=no strobe)
Auto Program	P--	P--1~P--5	Program selection
		S000~S100	Run speed



There is no strobing in the following modes: C-- and P--. For full function control, use 10-Channel DMX mode.

DMX Operation

This is the operating mode which will allow for control with an external DMX controller. You must set the starting address for this mode.

1. Plug a DMX controller into the fixture in a daisy chain configuration.
2. Press **<MENU>** until the following appears on the LED screen: PeRS.
3. Press **<ENTER>**.
4. Using **<UP>** & **<DOWN>**, select the desired personality (10-CH, 5 -CH, 4 -CH).
5. Press **<ENTER>**.
6. Press **<MENU>** until AddR appears on the LED screen.
7. Press **<ENTER>**.
8. Using **<UP>** & **<DOWN>**, select the desired DMX starting address (d001-d512).
9. Press **<ENTER>**.



Only connect 32 fixtures to a single DMX daisy chain!

Master/Slave Mode

This mode allows a single unit, the master, to operate in one of the standalone modes, while one or more fixtures, slaves, synchronize their responses to the master. Master: The master fixture may be set in any of the STANDALONE modes listed in this user manual. Slave: Set the slave fixture(s) to DMX mode at starting address 001.



Only connect 31 slave fixtures when operating in this mode!

Standalone

This fixture has several options for operating without a DMX controller. Access these options via the control panel on the back of the fixture.

Automatic

1. Remove any DMX controller from the fixture.
2. Press **<MENU>** to select Auto Program (P--).
3. Press **<ENTER>**.
4. Using **<UP>** & **<DOWN>**, select one of the five programs.
5. Press **<ENTER>**.
6. Press **<MENU>** until S000~S100 appears on the LED screen.
7. Press **<ENTER>**.
8. Using **<UP>** & **<DOWN>**, select the desired run speed (slow-fast)
9. Press **<ENTER>**.

Static Color

This fixture has preprogrammed, static looks that may be triggered without a controller. Access these chases via the control panel on the back of the fixture.

1. Remove any DMX controller from the fixture.
2. Press **<MENU>** to select Static Color mode (C--).
3. Press **<ENTER>**.
4. Using **<UP>** & **<DOWN>**, select one of the 11 presets.
5. Press **<ENTER>**.

Custom Static Color

This fixture has the ability to accept custom static color settings. Access this via the control panel.

1. Press **<MENU>** until U-- appears on the LED screen.
2. Press **<ENTER>**.
3. Using **<UP>** and **<DOWN>**, select the desired color.
4. Press **<ENTER>**.
5. Using **<UP>** and **<DOWN>**, select the desired color value (000-100). By selecting 000, the color will remain off.
6. Press **<ENTER>** to continue to the next color (**R, G, b, A**).
7. Using **<UP>** and **<DOWN>**, select the desired color value (000-100).
8. Continue until the desired mix is obtained. The order of colors is red, green, blue, and amber.
9. Press **<ENTER>** to continue to the strobe setting.
10. Using **<UP>** and **<DOWN>**, select the desired strobe value (000-100). By selecting 000, the strobe function will remain off.
11. Press **<ENTER>** to save the final color setting. This will move the selection to the following color. However, this is necessary to save the modification.

DMX Channel Values

4-CH Mode

CHANNEL	VALUE	FUNCTION
1	000 ◊ 255	Red 0~100%
2	000 ◊ 255	Green 0~100%
3	000 ◊ 255	Blue 0~100%
4	000 ◊ 255	Amber 0~100%

5-CH Mode

CHANNEL	VALUE	FUNCTION
1	000 ◊ 255	Master Dimmer 0~100%
2	000 ◊ 255	Red 0~100%
3	000 ◊ 255	Green 0~100%
4	000 ◊ 255	Blue 0~100%
5	000 ◊ 255	Amber 0~100%

10-CH Mode

CHANNEL	VALUE	FUNCTION
1	000 ◊ 255	Master Dimmer 0~100%
2	000 ◊ 255	Red 0~100%
3	000 ◊ 255	Green 0~100%
4	000 ◊ 255	Blue 0~100%
5	000 ◊ 255	Amber 0~100%
6 Color Macro	000 ◊ 010	No function
	011 ◊ 030	Red 100%, Green (0~100%), Blue 0%
	031 ◊ 050	Red (100~0%), Green 100%, Blue 0%
	051 ◊ 070	Red 0%, Green 100%, Blue (0~100%)
	071 ◊ 090	Red 0%, Green (100~0%), Blue 100%
	091 ◊ 110	Red 0~100%, Green 0%, Blue 100%
	111 ◊ 130	Red 100%, Green 0%, Blue (100~0%)
	131 ◊ 150	Red 100%, Green (100~0%), Blue (0~100%)
	151 ◊ 170	Red (100~0%), Green (100~0%), Blue 100%
	171 ◊ 200	Red 100%, Green 100%, Blue 100%, Amber 100%
	201 ◊ 205	White 1: 3,200 K
	206 ◊ 210	White 2: 3,400 K
	211 ◊ 215	White 3: 4,200 K
	216 ◊ 220	White 4: 4,900 K
	221 ◊ 225	White 5: 5,600 K
226 ◊ 230	White 6: 5,900 K	
231 ◊ 235	White 7: 6,500 K	
236 ◊ 240	White 8: 7,200 K	
241 ◊ 245	White 9: 8,000 K	
246 ◊ 250	White 10: 8,500 K	
251 ◊ 255	White 11: 10,000 K	
7 Strobe	000 ◊ 009	No function
	010 ◊ 255	1~20 Hz (slow~fast)
8 Auto Program	000 ◊ 051	No Function
	052 ◊ 101	Auto 1
	102 ◊ 152	Auto 2
	153 ◊ 203	Auto 3
	204 ◊ 254	Auto 4
	255 ◊ 255	Auto 5
9	000 ◊ 255	Auto Program Speed (only when CH.7 is between 052~255) 0%~100% (slow~fast)
10 Dimmer Speed	000 ◊ 051	Default dimmer speed
	052 ◊ 101	Linear dimmer
	102 ◊ 152	Non-linear dimmer 1
	153 ◊ 203	Non-linear dimmer 2
	204 ◊ 255	Non-linear dimmer 3

5. APPENDIX

Maintenance

To maintain optimum performance and minimize wear, fixtures should be cleaned frequently. Usage and environment are contributing factors in determining frequency. As a general rule, fixtures should be cleaned at least twice a month. Dust build up reduces light output performance and can cause overheating. This can lead to reduced lamp life and increased mechanical wear. Be sure to power off fixture before conducting maintenance.

- Unplug fixture from power.
- Use a vacuum or air compressor and a soft brush to remove dust collected on external vents.
- Clean all lenses when the fixture is cool with a mild solution of glass cleaner or Isopropyl Alcohol and a soft lint free cotton cloth or lens tissue.
- Apply solution to the cloth or tissue and drag dirt and grime to the outside of the lens.
- Gently polish optical surfaces until they are free of haze and lint.

The cleaning of external optical lenses and/or mirrors must be carried out periodically to optimize light output. Cleaning frequency depends on the environment in which the fixture operates. Damp, smoky or particularly dirty surroundings can cause greater accumulation of dirt on the unit's optics. Clean with soft cloth using normal glass cleaning fluid. Clean the external optics at least every 20 days. Clean the fixture at least every 30/60 days.



Always dry the parts carefully after cleaning them.

Never spin a fan using compressed air.

Returns

Returned merchandise must be sent prepaid and in the original packing; call tags will not be issued. Package must be clearly labeled with a Return Merchandize Authorization Number (RMA #). Products returned without the RMA # will be refused. Call CHAUVET® and request an RMA # prior to shipping the fixture. Be prepared to provide the model number, serial number and a brief description of the cause for the return. Be sure to pack fixture properly; any shipping damage resulting from inadequate packaging is the customer's responsibility. As a suggestion, proper UPS packing or double-boxing is always a safe method to use. CHAUVET® reserves the right to use its own discretion to repair or replace product(s).



If you are given an RMA #, please include the following information on a piece of paper inside the box:

- 1) ***Your name***
- 2) ***Your address***
- 3) ***Your phone number***
- 4) ***The RMA #***
- 5) ***A brief description of the symptoms***

Claims

Damage incurred in shipping is the responsibility of the shipper; therefore, the damage must be reported to the carrier upon receipt of merchandise. It is the customer's responsibility to notify and submit claims with the shipper in the event that a fixture is damaged due to shipping. Any other claim for items such as missing component/part, damage not related to shipping, and concealed damage, must be made within seven (7) days of receiving merchandise.

TECHNICAL SPECIFICATIONS

WEIGHT & DIMENSIONS

Length.....3.4 in (87 mm)
 Width.....10.1 in (256 mm)
 Height.....11.4 in (290 mm)
 Weight.....6.3 lbs (2.8 kg)

POWER

Auto-ranging.....100~240 VAC, 50/60 Hz
 Power consumption @ 120 V.....86 W (0.7 A) max, 0.3 A inrush
 Power consumption @ 230 V.....90 W (0.4 A) max, 0.4 A inrush
 Power output.....8 A (9 units @ 120 V)(16 units @ 230 V)
 Fuse.....F 2 A, 250 V

LIGHT SOURCE

Type.....high-powered LED
 Quantity.....42 (12 red, 12 green, 12 blue, 6 amber)
 Rating.....1 W (350 mA), 50,000 hrs

PHOTO OPTIC (WIDE) (INSTALLED)

Lux.....2,830 @ 2 m
 Beam angle.....21°
 Field angle.....42°

PHOTO OPTIC (NARROW) (OPTIONAL)

Lux.....20,000 @ 1 m
 Beam angle.....15°
 Field angle.....28°

INDOOR/OUTDOOR

Rating.....For indoor use only

THERMAL

Maximum ambient temperature.....104° F (40° C)

CONTROL & PROGRAMMING

DMX input.....3-pin XLR
 DMX output.....3-pin XLR
 Data pin configuration.....pin 1 shield, pin 2 (-), pin 3 (+)
 Protocols.....DMX-512 USITT
 DMX Channels (user-configurable).....4, 5, 10

ORDERING INFORMATION

SlimPAR™ Pro RGBA.....SPPRGBA
 Optional 15° (Narrow) Lens.....SPPRGBALENS15

WARRANTY INFORMATION

Warranty.....2-year limited warranty



CONTACT US

World Wide

General Information

CHAUVET®
5200 NW 108th Ave
Sunrise, FL 33351
voice: 954-577-4455
fax: 954-929-5560
toll free: 800-762-1084

Technical Support

CHAUVET®
5200 NW 108th Ave
Sunrise, FL 33351
voice: 954-577-4455 (**Press 4**)
fax: 954-929-5560 (**Attention: Service**)

World Wide Web

www.chauvetlighting.com