

INTIMIDATOR

BEAM Q60

User Manual

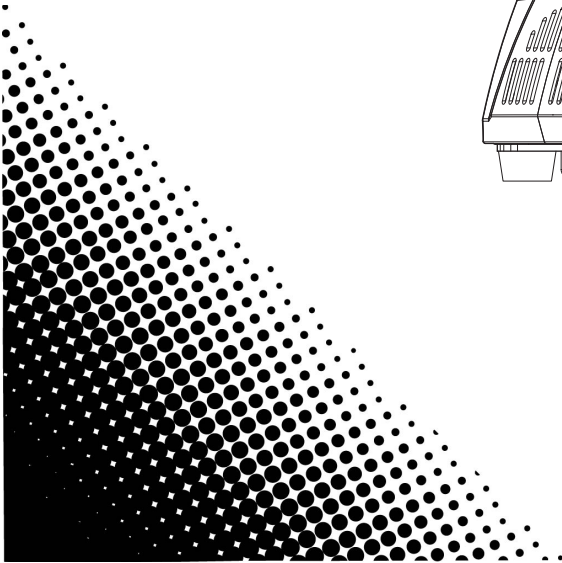
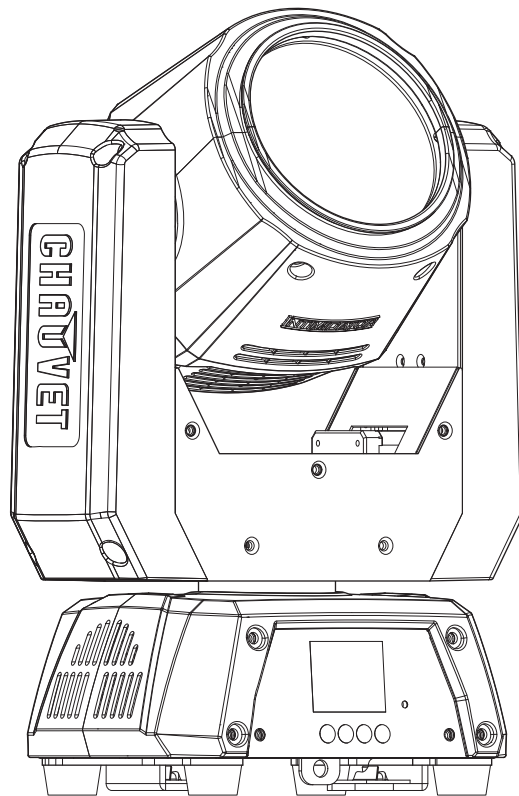


TABLE OF CONTENTS

1. Before You Begin	1
What Is Included	1
Unpacking Instructions.....	1
Claims	1
Text Conventions	1
Symbols	1
Disclaimer	1
Intellectual Property	1
Safety Notes.....	2
2. Introduction	3
Product Overview.....	3
Product Dimensions	3
3. Setup	4
AC Power	4
Fuse Replacement.....	4
Power Linking.....	4
Mounting	5
Orientation.....	5
Rigging	5
4. Operation	6
Control Panel Operation.....	6
Menu Map	6
Configuration (DMX)	7
Starting Address.....	7
DMX Personalities.....	7
DMX Channel Assignments and Values	8
16CH	8
12CH	10
Configuration (Standalone)	12
Automatic Programs.....	12
Sound-Active Mode.....	12
Sound Sensitivity.....	12
Manual Mode.....	12
Configuration (Settings)	13
Pan Reverse.....	13
Tilt Reverse	13
Screen Reverse.....	13
Pan Angle.....	13
Tilt Angle	13
Totem Mode	13
USB Set.....	14
Reset.....	14
Factory Reset.....	14
System Information	14
Master/Slave Mode	14
Zero Adjust Mode.....	15
5. Maintenance.....	16
Product Maintenance	16
6. Technical Specifications	17
Returns.....	18
Contact Us	19

1. Before You Begin

What Is Included

- Intimidator Beam Q60
- Omega bracket
- Power cord
- Quick Reference Guide

Unpacking Instructions

Carefully unpack the product immediately and check the container to make sure all the parts are in the package and are in good condition.

Claims





If the box or the contents (the product and included accessories) appear damaged from shipping, or show signs of mishandling, notify the carrier immediately, not Chauvet. Failure to report damage to the carrier immediately may invalidate your claim. In addition, keep the box and contents for inspection.

For other issues, such as missing components or parts, damage not related to shipping, or concealed damage, file a claim with Chauvet within 7 days of delivery.

Text Conventions

Convention	Meaning
1–512	A range of values
50/60	A set of values of which only one can be chosen
Settings	A menu option not to be modified
<ENTER>	A key to be pressed on the product's control panel
ON	A value to be entered or selected

Symbols

Symbol	Meaning
	Electrical warning. Not following these instructions may cause electrical damage to the product, accessories, or the user.
	Critical installation, configuration, or operation information. Not following these instructions may make the product not work, cause damage to the product, or cause harm to the operator.
	Important installation or configuration information. The product may not function correctly if this information is not used.
	Useful information.

Disclaimer

Chauvet believes that the information contained in this manual is accurate in all respects. However, Chauvet assumes no responsibility and specifically disclaims any and all liability to any party for any loss, damage or disruption caused by any errors or omissions in this document, whether such errors or omissions result from negligence, accident or any other cause. Chauvet reserves the right to revise the content of this document without any obligation to notify any person or company of such revision, however, Chauvet has no obligation to make, and does not commit to make, any such revisions. Download the latest version from www.chauvetdj.com.

Intellectual Property

The works of authorship contained in this manual, including, but not limited to, all design, text and images are owned by Chauvet.

© Copyright 2020 Chauvet & Sons, LLC. All rights reserved.

Electronically published by Chauvet in the United States of America.

CHAUVET, the Chauvet logo, and Intimidator Beam Q60 are registered trademarks or trademarks of Chauvet & Sons LLC (d/b/a Chauvet and Chauvet Lighting) in the United States and other countries. Other company and product names and logos referred to herein may be trademarks of their respective companies.

Safety Notes



- This product is not intended for permanent installation.
- Always connect the product to a grounded circuit to avoid the risk of electrocution.
- Always disconnect the product from the power source before cleaning or replacing the fuse.
- Avoid direct eye exposure to the light source while the product is on.
- Make sure the power cord is not crimped or damaged.
- Never disconnect the product from power by pulling or tugging on the cord.
- If mounting the product overhead, always secure to a fastening device using a safety cable.
- Make sure there are no flammable materials close to the product when operating.
- Do not touch the product's housing when operating because it may be very hot.



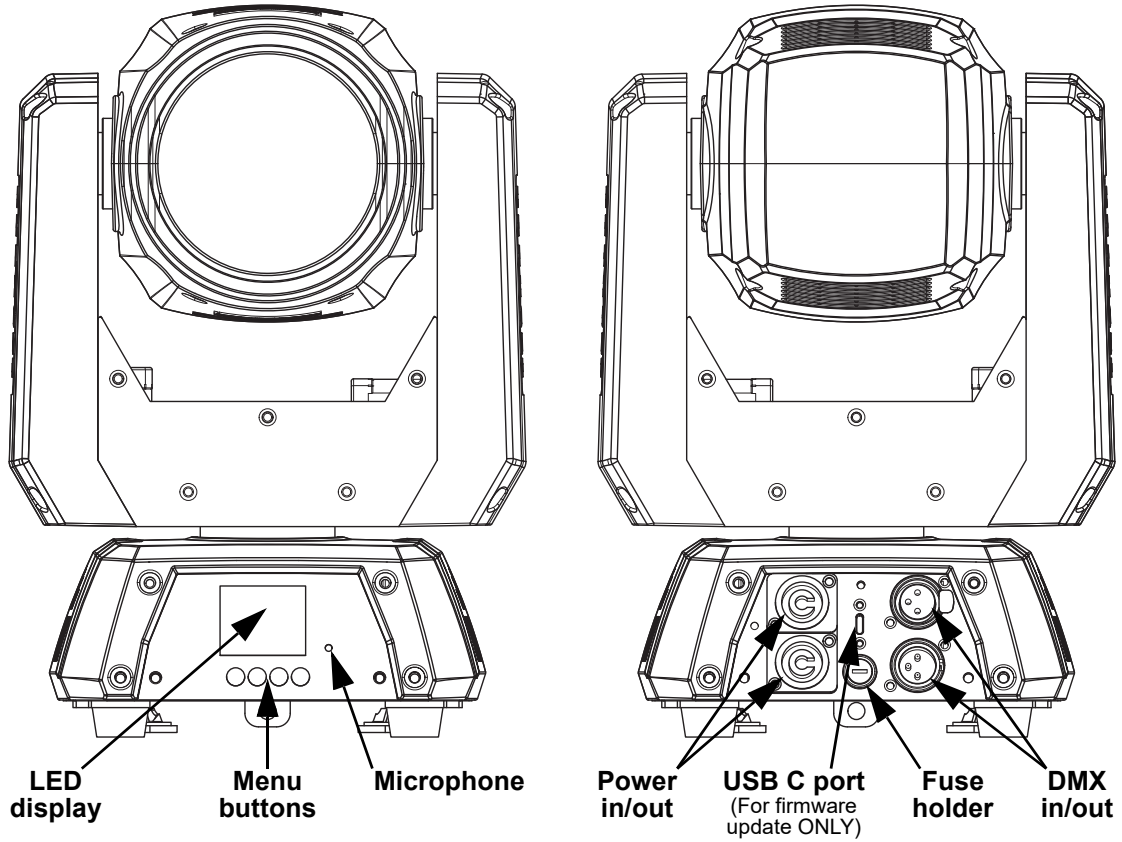
- The voltage of the outlet to which you are connecting this product must be within the range stated on the decal or rear panel of the product.
- The product is for indoor use only! (IP20) To prevent risk of fire or shock, do not expose the product to rain or moisture.
- Always install the product in a location with adequate ventilation, at least 20 in (50 cm) from adjacent surfaces.
- Be sure that no ventilation slots on the product's housing are blocked.
- Never connect the product to a dimmer or rheostat.
- Make sure to replace the fuse with another of the same type and rating.
- Never carry the product from the power cord or any moving part. Always use the handles.
- The maximum ambient temperature is 104 °F (40 °C). Do not operate this product at higher temperatures.
- In the event of a serious operating problem, stop using the product immediately.
- Do not open this product. It contains no user-serviceable parts.
- To eliminate unnecessary wear and improve its lifespan, during periods of non-use completely disconnect the product from power via breaker or by unplugging it.



Keep this User Manual for future use. If the product is sold to someone else, be sure that they also receive this document.

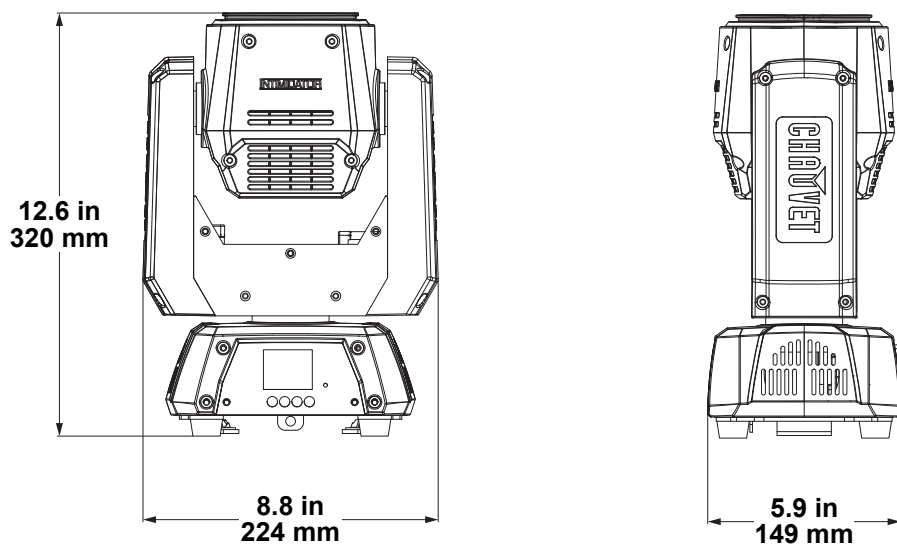
2. Introduction

Product Overview



WARNING! DO NOT plug anything other than a data connection into the USB C port. Doing so may cause damage to the product.

Product Dimensions



3. Setup

AC Power

The Intimidator Beam Q60 has an auto-ranging power supply and it can work with an input voltage range of 100 to 240 VAC, 50/60 Hz.

To determine the product's power requirements (circuit breaker, power outlet, and wiring), use the current value listed on the label affixed to the product's back panel, or refer to the product's specifications chart. The listed current rating indicates the product's average current draw under normal conditions.



- **Always connect the product to a protected circuit (a circuit breaker or fuse). Make sure the product has an appropriate electrical ground to avoid the risk of electrocution or fire.**
- **To eliminate unnecessary wear and improve its lifespan, during periods of non-use completely disconnect the product from power via breaker or by unplugging it.**



Never connect the product to a rheostat (variable resistor) or dimmer circuit, even if the rheostat or dimmer channel serves only as a 0 to 100% switch.

Fuse Replacement

1. Disconnect the product from power.
2. Using a flat-head screwdriver, unscrew the fuse holder cap from the housing.
3. Remove the blown fuse.
4. Replace with a fuse of the same type and rating.
5. Screw the fuse holder cap back in place and reconnect power.

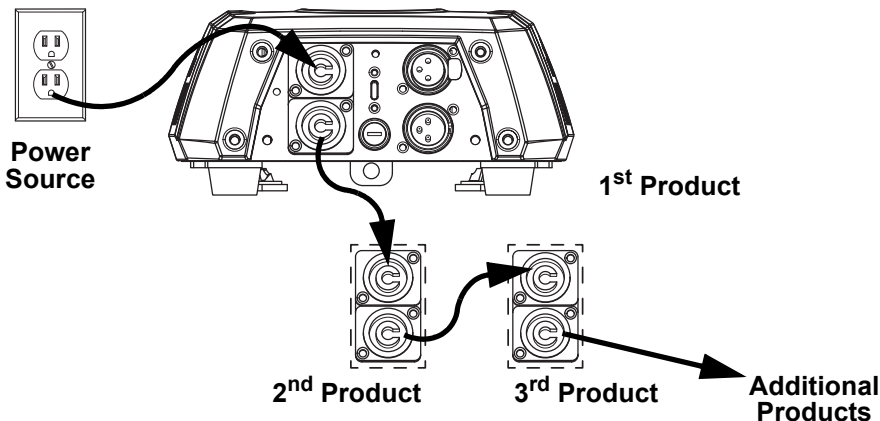


Disconnect the product from the power outlet before replacing the fuse.

Power Linking

The product provides power linking via the outlet located in the back of the product. See the diagram below for further explanation.

Power Linking Diagram



You can power link up to 11 Intimidator Beam Q60 products on 120 VAC or up to 21 Intimidator Beam Q60 products on 230 VAC.



The power linking diagram corresponds to the North American version of the product ONLY! If using the product in other markets, you must consult with the local Chauvet distributor as power linking connectors and requirements may differ in your country or region.

Mounting

Before mounting the product, read and follow the safety recommendations indicated in the [Safety Notes](#).

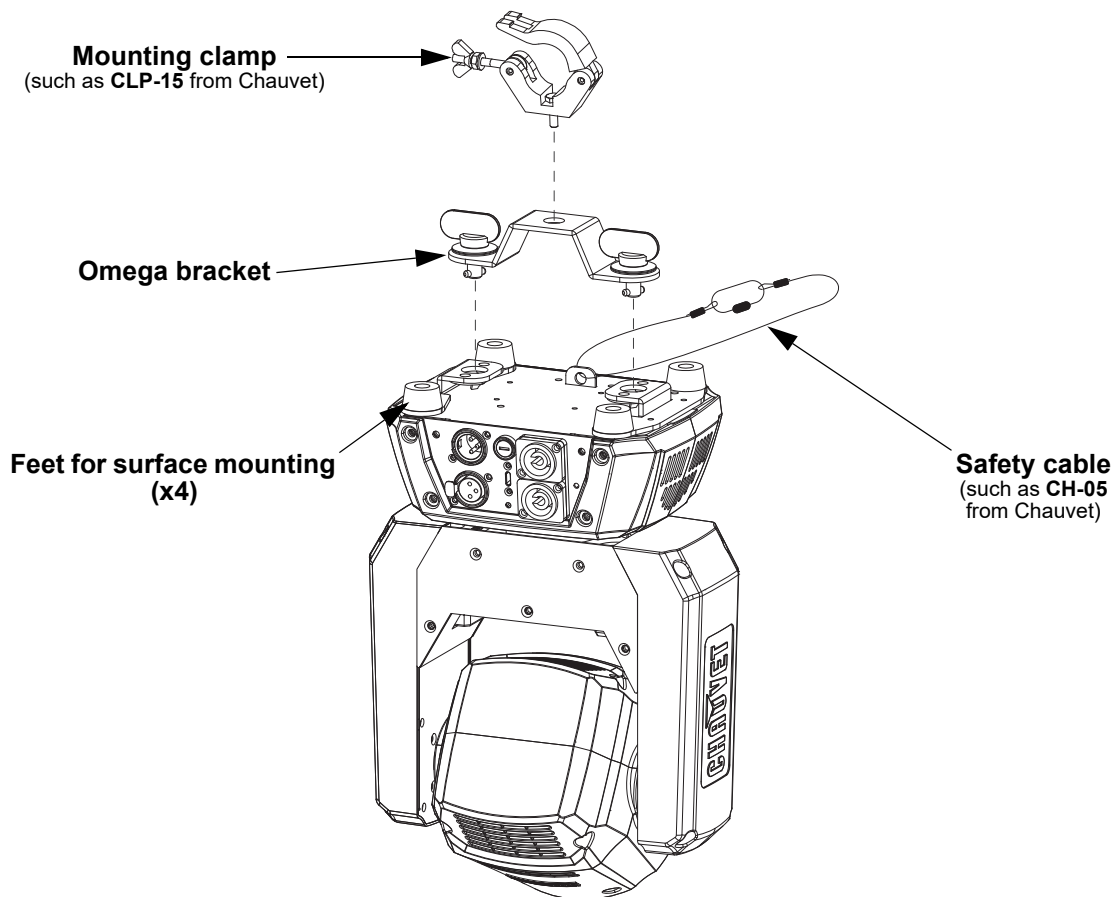
Orientation

The Intimidator Beam Q60 may be mounted in any position; however, make sure adequate ventilation is provided around the product.

Rigging

- Before deciding on a location, always make sure there is easy access to the product for maintenance and programming.
- Make sure adequate ventilation is provided around the product.
- Make sure that the structure or surface onto which you are mounting the product can support the product's weight. (see the [Technical Specifications](#))
- When mounting the product overhead, always use a safety cable. Mount the product securely to a rigging point, whether an elevated platform or a truss.
- When rigging the product onto a truss, use a mounting clamp of appropriate weight capacity.
- When power linking multiple products, mount the products close enough for power linking cables to reach.
- When mounting the product on the floor, make sure that the product and cables are away from people and vehicles.

Mounting Diagram



4. Operation

Control Panel Operation

To access the control panel functions, use the four buttons located underneath the display. Please refer to the [Product Overview](#) to see the button locations on the control panel.

Button	Function
<MENU>	Press to find an operation mode or to back out of the current menu option
<UP>	Press to scroll up the list of options or to find a higher value
<DOWN>	Press to scroll down the list of options or to find a lower value
<ENTER>	Press to activate a menu option or a selected value

Menu Map

Refer to the Intimidator Beam Q60 product page on www.chauvetdj.com for the latest menu map.

Mode	Programming Levels		Description	
Address	001–501*		Sets the DMX starting address	
Run Mode	DMX	16CH	Selects the DMX mode	
		12CH		
	Slave	Slave1–4	Selects Slave mode 1, 2, 3, or 4	
	Auto		Selects Auto mode	
	Sound		Selects Sound-Active mode	
	Manual	Control	000–255	Control functions
		Pan		Manual pan control
		Pan Fine		Fine manual pan control
		Tilt		Manual tilt control
		Tilt Fine		Fine manual tilt control
		Continu.P		Manual continuous pan control
		Continu.T		Manual continuous tilt control
		Pan&Tilt Sp		Pan and tilt speed
		Shutter		Virtual shutter control
		Dimmer		Dimmer control
		Color Fun		Virtual color wheel function
		VirtualCol1		Virtual color wheel
		Red		Manual red control
		Green		Manual green control
	Blue	Manual blue control		
White	Manual white control			
Setup	Pan Reverse	OFF	Normal pan operation	
		ON	Reverse pan operation	
	Tilt Reverse	OFF	Normal tilt operation	
		ON	Reverse tilt operation	
	Screen Reverse	OFF	Normal display	
		ON	Reverse display	
	Pan Angle	540	Selects the 540° pan angle range	
		360	Selects the 360° pan angle range	
		180	Selects the 180° pan angle range	
	Tilt Angle	260	Selects the 260° tilt angle range	
180		Selects the 180° tilt angle range		
90		Selects the 90° tilt angle range		

Mode	Programming Levels		Description
Setup (cont.)	Totem Mode	OFF	Normal mode
		UP	Totem mode Base Up
		DOWN	Totem mode Base Down
	Sensitivity	001–100	Sets the sound sensitivity
	USB Set	OFF	Enables or disables USB function
		ON	
	Reset		Resets the product
Factory Set		Loads factory defaults	
Sys Info	Ver:	V_	Displays the firmware version
	Running Mode:	-----	Displays the current running mode
	DMX Address:	---	Displays the current DMX address
	Temperature:	-- C	Displays the product temperature in °C

Configuration (DMX)

The Intimidator Beam Q60 works with a DMX controller. Information about DMX is in the CHAUVET DMX Primer, which is available from the Chauvet website http://www.chauvetlighting.com/downloads/DMX_Primer_rev05_WO.pdf.

Starting Address

When selecting a starting DMX address, always consider the number of DMX channels the selected DMX mode uses. If you choose a starting address that is too high, you could restrict the access to some of the product's channels.

The Intimidator Beam Q60 uses up to 16 DMX channels, which defines the highest configurable address to **497**.

If you are not familiar with the DMX protocol, download the DMX Primer from www.chauvetdj.com.

To select the starting address, do the following:

1. Press **<MENU>**.
2. Use **<UP>** or **<DOWN>** to select **Address**.
3. Press **<ENTER>**.
4. Use **<UP>** or **<DOWN>** to select the starting address, from **001–501**.
5. Press **<ENTER>**.

DMX Personalities

The Intimidator Beam Q60 has two DMX personalities, a 16-channel personality, and a 12-channel personality.

To choose which DMX personality to use, follow the steps below:

1. Press **<MENU>**.
2. Use **<UP>** or **<DOWN>** to select **Run Mode**.
3. Press **<ENTER>**.
4. Use **<UP>** or **<DOWN>** to select **DMX**.
5. Press **<ENTER>**.
6. Use **<UP>** or **<DOWN>** to select the DMX personality, from **16CH** or **12CH**.
7. Press **<ENTER>**.

DMX Channel Assignments and Values

16CH

Channel	Function	Value	Percent/Setting	
1	Pan	000 ⇔ 255	0–540°	
2	Fine pan	000 ⇔ 255	Fine control of panning	
3	Tilt	000 ⇔ 255	0–260°	
4	Fine tilt	000 ⇔ 255	Fine control of tilting	
5	Continuous pan	000 ⇔ 003	No function	
		004 ⇔ 127	Pan rotation, fast to slow	
		128 ⇔ 131	Stop	
		132 ⇔ 255	Reverse pan rotation, slow to fast	
6	Continuous tilt	000 ⇔ 003	No function	
		004 ⇔ 127	Tilt rotation, fast to slow	
		128 ⇔ 131	Stop	
		132 ⇔ 255	Reverse tilt rotation, slow to fast	
7	Pan/tilt speed	000 ⇔ 255	Pan/Tilt speed, fast to slow	
8	Virtual shutter	000 ⇔ 031	Closed	
		032 ⇔ 063	Open	
		064 ⇔ 095	Strobe, slow to fast	
		096 ⇔ 127	Open	
		128 ⇔ 159	Pulse strobe, slow to fast	
		160 ⇔ 191	Open	
		192 ⇔ 223	Random strobe, slow to fast	
		224 ⇔ 255	Open	
9	Dimmer	000 ⇔ 255	0–100%	
10	Virtual color wheel control	000 ⇔ 015	No function	
		016 ⇔ 031	CTC	
		032 ⇔ 047	Rainbow effect	
		048 ⇔ 063	Reverse rainbow effect	
		064 ⇔ 079	Continuous	
		080 ⇔ 111	Color bounce	
		112 ⇔ 255	Reserved for future use	
11	Virtual color wheel (when Ch. 10 is 016 ⇔ 031)	000 ⇔ 047	Color temperature correction 2000K–2700K	
		048 ⇔ 098	3200K white	
		099 ⇔ 149	4200K white	
		150 ⇔ 200	5600K white	
			201 ⇔ 255	8000K white
		Virtual color wheel (when Ch. 10 is 032 ⇔ 047)	000 ⇔ 255	Rainbow effect, slow to fast
		Virtual color wheel (when Ch. 10 is 048 ⇔ 063)	000 ⇔ 255	Reverse rainbow effect, slow to fast
		Virtual color wheel (when Ch. 10 is 064 ⇔ 111)	000	Blackout
			001	Red
			002	Green
	003		Blue	
	004		White	
	005 ⇔ 046		R: 0% G: 0–100% B: 100% W: 0%	
	047 ⇔ 088		R: 0% G: 100% B: 100–0% W: 0%	
	089 ⇔ 130	R: 0–100% G: 100% B: 0% W: 0%		
	131 ⇔ 172	R: 100% G: 100–0% B: 0% W: 0%		
	173 ⇔ 214	R: 100% G: 0% B: 0–100% W: 0%		
	215 ⇔ 255	R: 100–0% G: 0% B: 100% W: 0%		

Channel	Function	Value	Percent/Setting
12	Red	000 ⇔ 255	0–100%
13	Green	000 ⇔ 255	0–100%
14	Blue	000 ⇔ 255	0–100%
15	White	000 ⇔ 255	0–100%
16	Control	000 ⇔ 007	No function
		008 ⇔ 015	Reset all
		016 ⇔ 023	Blackout while pan and tilt moving on (5 second delay)
		024 ⇔ 031	Blackout while pan and tilt moving off (5 second delay)
		032 ⇔ 039	Sound-active pan and tilt on (5 second delay)
		040 ⇔ 047	Sound-active pan and tilt off (5 second delay)
		048 ⇔ 055	Sound-active color on (5 second delay)
		056 ⇔ 063	Sound-active color off (5 second delay)
		064 ⇔ 071	Display off
		072 ⇔ 079	Display on
		080 ⇔ 087	Fan speed auto
		088 ⇔ 095	Fan speed full
		096 ⇔ 103	Dimmer speed mode linear
		104 ⇔ 111	Dimmer speed mode slow
		112 ⇔ 119	Dimmer speed mode medium
		120 ⇔ 127	Dimmer speed mode fast
		128 ⇔ 135	Blackout on movement
		136 ⇔ 143	Pan forward spin
		144 ⇔ 151	Pan reverse spin
		152 ⇔ 159	Tilt forward spin
		160 ⇔ 167	Tilt reverse spin
		168 ⇔ 175	Pan and tilt forward spin
		176 ⇔ 183	Pan and tilt reverse spin
184 ⇔ 191	Pan forward spin and tilt reverse spin		
192 ⇔ 199	Pan reverse spin and tilt forward spin		
200 ⇔ 255	Reserved for future use		

12CH

Channel	Function	Value	Percent/Setting
1	Pan	000 ⇔ 255	0–540°
2	Tilt	000 ⇔ 255	0–260°
3	Pan/tilt speed	000 ⇔ 255	Pan/Tilt speed, fast to slow
4	Virtual shutter	000 ⇔ 031	Closed
		032 ⇔ 063	Open
		064 ⇔ 095	Strobe, slow to fast
		096 ⇔ 127	Open
		128 ⇔ 159	Pulse strobe, slow to fast
		160 ⇔ 191	Open
		192 ⇔ 223	Random strobe, slow to fast
224 ⇔ 255	Open		
5	Dimmer	000 ⇔ 255	0–100%
6	Virtual color wheel control	000 ⇔ 015	No function
		016 ⇔ 031	CTC
		032 ⇔ 047	Rainbow effect
		048 ⇔ 063	Reverse rainbow effect
		064 ⇔ 079	Continuous
		080 ⇔ 111	Color bounce
		112 ⇔ 255	Reserved for future use
7	Virtual color wheel (when Ch. 10 is 016 ⇔ 031)	000 ⇔ 047	Color temperature correction 2000K–2700K
		048 ⇔ 098	3200K white
		099 ⇔ 149	4200K white
		150 ⇔ 200	5600K white
	201 ⇔ 255	8000K white	
	Virtual color wheel (when Ch. 10 is 032 ⇔ 047)	000 ⇔ 255	Rainbow effect, slow to fast
		000 ⇔ 255	Reverse rainbow effect, slow to fast
	Virtual color wheel (when Ch. 10 is 064 ⇔ 111)	000	Blackout
		001	Red
		002	Green
		003	Blue
		004	White
		005 ⇔ 046	R: 0% G: 0–100% B: 100% W: 0%
		047 ⇔ 088	R: 0% G: 100% B: 100–0% W: 0%
089 ⇔ 130		R: 0–100% G: 100% B: 0% W: 0%	
131 ⇔ 172		R: 100% G: 100–0% B: 0% W: 0%	
173 ⇔ 214		R: 100% G: 0% B: 0–100% W: 0%	
215 ⇔ 255	R: 100–0% G: 0% B: 100% W: 0%		
8	Red	000 ⇔ 255	0–100%
9	Green	000 ⇔ 255	0–100%
10	Blue	000 ⇔ 255	0–100%
11	White	000 ⇔ 255	0–100%

Channel	Function	Value	Percent/Setting
12	Control	000 ⇔ 007	No function
		008 ⇔ 015	Reset all
		016 ⇔ 023	Blackout while pan and tilt moving on (5 second delay)
		024 ⇔ 031	Blackout while pan and tilt moving off (5 second delay)
		032 ⇔ 039	Sound-active pan and tilt on (5 second delay)
		040 ⇔ 047	Sound-active pan and tilt off (5 second delay)
		048 ⇔ 055	Sound-active color on (5 second delay)
		056 ⇔ 063	Sound-active color off (5 second delay)
		064 ⇔ 071	Display off
		072 ⇔ 079	Display on
		080 ⇔ 087	Fan speed auto
		088 ⇔ 095	Fan speed full
		096 ⇔ 103	Dimmer speed mode linear
		104 ⇔ 111	Dimmer speed mode slow
		112 ⇔ 119	Dimmer speed mode medium
		120 ⇔ 127	Dimmer speed mode fast
		128 ⇔ 135	Blackout on movement
		136 ⇔ 143	Pan forward spin
		144 ⇔ 151	Pan reverse spin
		152 ⇔ 159	Tilt forward spin
160 ⇔ 167	Tilt reverse spin		
168 ⇔ 175	Pan and tilt forward spin		
176 ⇔ 183	Pan and tilt reverse spin		
184 ⇔ 191	Pan forward spin and tilt reverse spin		
192 ⇔ 199	Pan reverse spin and tilt forward spin		
200 ⇔ 255	Reserved for future use		

Configuration (Standalone)

Set the product in one of the standalone modes to control without a DMX controller.



Never connect a product that is operating in any standalone mode to a DMX string connected to a DMX controller. Products in standalone mode may transmit DMX signals that could interfere with the DMX signals from the controller.

Automatic Programs

To run the Intimidator Beam Q60 in automatic mode, follow the instructions below:

1. Press **<MENU>**.
2. Use **<UP>** or **<DOWN>** to select **Run Mode**.
3. Press **<ENTER>**.
4. Use **<UP>** or **<DOWN>** to select **Auto**.
5. Press **<ENTER>**.

Sound-Active Mode

To run the Intimidator Beam Q60 in sound-active mode, do the following:

1. Press **<MENU>**.
2. Use **<UP>** or **<DOWN>** to select **Run Mode**.
3. Press **<ENTER>**.
4. Use **<UP>** or **<DOWN>** to select **Sound**.
5. Press **<ENTER>**.

Sound Sensitivity

To set the sound sensitivity on the Intimidator Beam Q60, follow the instructions below:

1. Press **<MENU>**.
2. Use **<UP>** or **<DOWN>** to select **Setup**.
3. Press **<ENTER>**.
4. Use **<UP>** or **<DOWN>** to select **Sensitivity**.
5. Press **<ENTER>**.
6. Use **<UP>** or **<DOWN>** to increase or decrease the sound sensitivity, from **001–100**.
7. Press **<ENTER>**.



The product will only respond to low frequencies of music (bass and drums).

Manual Mode

To operate the Intimidator Beam Q60 manually through the menu, do the following:

1. Press **<MENU>**.
2. Use **<UP>** or **<DOWN>** to select **Run Mode**.
3. Press **<ENTER>**.
4. Use **<UP>** or **<DOWN>** to select **Manual**.
5. Press **<ENTER>**.
6. Use **<UP>** or **<DOWN>** to select from **Control, Pan, Pan Fine, Tilt, Tilt Fine, Continu.P, Continu.T, Pan&Tilt Sp, Shutter, Dimmer, Color Fun, VirtualCol1, Red, Green, Blue, or White**.
7. Press **<ENTER>**.
8. Use **<UP>** or **<DOWN>** to increase or decrease the value of the selected function, from **000–255**.
9. Press **<ENTER>**.
10. Repeat steps 6-9 until the product is set as desired.

Configuration (Settings)

Pan Reverse

To set the pan orientation on the Intimidator Beam Q60, follow the instructions below:

1. Press **<MENU>**.
2. Use **<UP>** or **<DOWN>** to select **Setup**.
3. Press **<ENTER>**.
4. Use **<UP>** or **<DOWN>** to select **Pan Reverse**.
5. Press **<ENTER>**.
6. Use **<UP>** or **<DOWN>** to select **OFF** (normal pan orientation) or **ON** (reverse pan orientation).
7. Press **<ENTER>**.

Tilt Reverse

To set the tilt orientation on the Intimidator Beam Q60, do the following:

1. Press **<MENU>**.
2. Use **<UP>** or **<DOWN>** to select **Setup**.
3. Press **<ENTER>**.
4. Use **<UP>** or **<DOWN>** to select **Tilt Reverse**.
5. Press **<ENTER>**.
6. Use **<UP>** or **<DOWN>** to select **OFF** (normal tilt orientation) or **ON** (reverse tilt orientation).
7. Press **<ENTER>**.

Screen Reverse

To set the display orientation on the Intimidator Beam Q60, follow the instructions below:

1. Press **<MENU>**.
2. Use **<UP>** or **<DOWN>** to select **Setup**.
3. Press **<ENTER>**.
4. Use **<UP>** or **<DOWN>** to select **Screen Reverse**.
5. Press **<ENTER>**.
6. Use **<UP>** or **<DOWN>** to select **OFF** (normal display orientation) or **ON** (reverse display orientation).
7. Press **<ENTER>**.

Pan Angle

To set the pan angle range on the Intimidator Beam Q60, do the following:

1. Press **<MENU>**.
2. Use **<UP>** or **<DOWN>** to select **Setup**.
3. Press **<ENTER>**.
4. Use **<UP>** or **<DOWN>** to select **Pan Angle**.
5. Press **<ENTER>**.
6. Use **<UP>** or **<DOWN>** to select from **540** (540°), **360** (360°), or **180** (180°).
7. Press **<ENTER>**.

Tilt Angle

To set the tilt angle range on the Intimidator Beam Q60, follow the instructions below:

1. Press **<MENU>**.
2. Use **<UP>** or **<DOWN>** to select **Setup**.
3. Press **<ENTER>**.
4. Use **<UP>** or **<DOWN>** to select **Tilt Angle**.
5. Press **<ENTER>**.
6. Use **<UP>** or **<DOWN>** to select from **260** (260°), **180** (180°), or **90** (90°).
7. Press **<ENTER>**.

Totem Mode

To activate the Totem mode, do the following:

1. Press **<MENU>**.
2. Use **<UP>** or **<DOWN>** to select **Setup**.
3. Press **<ENTER>**.
4. Use **<UP>** or **<DOWN>** to select **Totem Mode**.
5. Press **<ENTER>**.
6. Use **<UP>** or **<DOWN>** to select **OFF** (normal range of motion), **UP** (upward tilt range), or **DOWN** (downward tilt range).
7. Press **<ENTER>**.

USB Set

To enable or disable the USB update function, follow the instructions below:

1. Press **<MENU>**.
2. Use **<UP>** or **<DOWN>** to select **Setup**.
3. Press **<ENTER>**.
4. Use **<UP>** or **<DOWN>** to select **USB Set**.
5. Press **<ENTER>**.
6. Use **<UP>** or **<DOWN>** to select **OFF** (disabled) or **ON** (enabled).
7. Press **<ENTER>**.

Reset

To reset all functions on the Intimidator Beam Q60, do the following:

1. Press **<MENU>**.
2. Use **<UP>** or **<DOWN>** to select **Setup**.
3. Press **<ENTER>**.
4. Use **<UP>** or **<DOWN>** to select **Reset**.
5. Press **<ENTER>**.

Factory Reset

To restore the Intimidator Beam Q60 to factory default settings, follow the instructions below:

1. Press **<MENU>**.
2. Use **<UP>** or **<DOWN>** to select **Setup**.
3. Press **<ENTER>**.
4. Use **<UP>** or **<DOWN>** to select **Factory Set**.
5. Press **<ENTER>**.

System Information

To view the system information on the Intimidator Beam Q60, do the following:

1. Press **<MENU>**.
2. Use **<UP>** or **<DOWN>** to select **Sys Info**.
3. Press **<ENTER>**.

Master/Slave Mode

The Master/Slave mode allows a single Intimidator Beam Q60 product (the “master”) to control the actions of one or more Intimidator Beam Q60 products (the “slaves”) without the need of a DMX controller. The master product will be set to operate in standalone mode, while the slave products will be set to operate in slave mode. Once set and connected, the slave products will operate in unison with the master product.

Configure the products as indicated below.

Slave products:

1. Press **<MENU>**.
2. Use **<UP>** or **<DOWN>** to select **Run Mode**.
3. Press **<ENTER>**.
4. Use **<UP>** or **<DOWN>** to select **Slave**.
5. Press **<ENTER>**.
6. Use **<UP>** or **<DOWN>** to select from **Slave1**, **Slave2**, **Slave3**, or **Slave4**.
 - Select **Slave1** for 100% synchronized actions.
 - Select **Slave2**, **Slave3**, and/or **Slave4** for delayed actions, creating a wave effect.
7. Press **<ENTER>**.
8. Connect the DMX input of the first slave product to the DMX output of the master product.
9. Connect the DMX input of the subsequent slave products to the DMX output of the previous slave product.
10. Finish setting and connecting all the slave products.

Master product:

1. Set the master product to operate in standalone mode.
2. Make the master product the first product in the DMX daisy chain.



- **Configure all the slave products before connecting the master to the daisy chain.**
- **Never connect a DMX controller to a DMX string configured for Master/Slave operation because the controller may interfere with the signals from the master.**
- **Do not connect more than 31 slaves to the master.**

Zero Adjust Mode

The Intimidator Beam Q60 contains a passcode protected mode which allows the user to calibrate and adjust several of the product's operating parameters.

In order to access this mode, do the following:

1. Press and hold **<MENU>** for at least 3 seconds.
2. Use **<UP>** (increases the selected value) and **<DOWN>** (selects the next value) to enter the passcode: **2323**.
3. Press **<ENTER>**.

In this mode, the zero positions and levels for the following can be adjusted:

Parameter	Function
PAN	Pan motor position
TILT	Tilt motor position
RED	Red level
GREEN	Green level
BLUE	Blue level

To adjust the zero position or level of one of these parameters, follow the instructions below:

1. Access the Zero Adjust mode.
2. Use **<UP>** or **<DOWN>** to select the parameter to be adjusted.
3. Press **<ENTER>**.
4. Use **<UP>** or **<DOWN>** to increase or decrease the selected value, from **000–255**.
5. Press **<ENTER>**.

5. Maintenance

Product Maintenance

Dust build-up reduces light output performance and can cause overheating. This can lead to reduction of the light source's life and/or mechanical wear. To maintain optimum performance and minimize wear, clean your lighting products at least twice a month. However, be aware that usage and environmental conditions could be contributing factors to increase the cleaning frequency.

To clean the product, follow the instructions below:

1. Unplug the product from power.
2. Wait until the product is at room temperature.
3. Use a vacuum (or dry compressed air) and a soft brush to remove dust collected on the external surface/vents.
4. Clean all transparent surfaces with a mild soap solution, ammonia-free glass cleaner, or isopropyl alcohol.
5. Apply the solution directly to a soft, lint free cotton cloth or a lens cleaning tissue.
6. Softly drag any dirt or grime to the outside of the transparent surface.
7. Gently polish the transparent surfaces until they are free of haze and lint.



Always dry the transparent surfaces carefully after cleaning them.



Do not spin the cooling fans using compressed air because it they could be damaged.

6. Technical Specifications

Dimensions and Weight

Length	Width	Height	Weight
5.9 in (149 mm)	8.8 in (224 mm)	12.6 in (320 mm)	11.2 lb (5.1 kg)

Note: Dimensions in inches are rounded.

Power

Power Supply Type	Range	Voltage Selection
Switching (internal)	100 to 240 VAC, 50/60 Hz	Auto-ranging

Parameter	120 V, 60 Hz	230 V, 50 Hz
Consumption	86 W	89 W
Operating Current	0.7 A	0.4 A
Power linking current (products)	8 A (11 products)	8 A (21 products)
Fuse	T2 A, 250 V	T2 A, 250 V

Power I/O	U.S./Worldwide	UK/Europe
Power input connector	powerCON-compatible	powerCON-compatible
Power output connector	powerCON-compatible	powerCON-compatible
Power Cord plug	Edison (U.S.)	Local Plug

Light Source

Type	Color	Quantity	Power	Current	Lifespan
LED	Quad-color RGBW	1	60 W	4.5 A	50,000 hours

Photometrics

Strobe Rate	Beam Angle	Illuminance @ 2 m
0 to 20 Hz	3°	45,344 lux

Thermal

Maximum External Temperature	Cooling System
104 °F (40 °C)	Fan-assisted convection

DMX

I/O Connector	Channel Range
3-pin XLR	12 or 16

Ordering

Product Name	Item Code	UPC Number
Intimidator Beam Q60	25011785	781462221331



Returns

In case you need to get support or return a product:

- If you are located in the U.S., contact Chauvet World Headquarters.
- If you are located in the U.K. or Ireland, contact Chauvet Europe Ltd.
- If you are located in Benelux, contact Chauvet Europe BVBA.
- If you are located in France, contact Chauvet France.
- If you are located in Germany, contact Chauvet Germany.
- If you are located in Mexico, contact Chauvet Mexico.
- If you are located in any other country, DO NOT contact Chauvet. Instead, contact your local distributor. See www.chauvetdj.com for distributors outside the U.S., UK, Ireland, Benelux, France, Germany, or Mexico.



If you are located outside the U.S., U.K., Ireland, Benelux, France, Germany, or Mexico, contact your distributor of record and follow their instructions on how to return Chauvet products to them. Visit our website www.chauvetdj.com for contact details.

Call the corresponding Chauvet Technical Support office and request a Return Merchandise Authorization (RMA) number before shipping the product. Be prepared to provide the model number, serial number, and a brief description of the cause for the return.

To submit a service request online, go to www.chauvetdj.com/service-request.

Send the merchandise prepaid, in its original box, and with its original packing and accessories. Chauvet will not issue call tags.

Clearly label the package with the RMA number. Chauvet will refuse any product returned without an RMA number.



Write the RMA number on a properly affixed label. DO NOT write the RMA number directly on the box.

Before sending the product, clearly write the following information on a piece of paper and place it inside the box:

- Your name
- Your address
- Your phone number
- RMA number
- A brief description of the problem

Be sure to pack the product properly. Any shipping damage resulting from inadequate packaging will be your responsibility. FedEx packing or double-boxing are recommended.



Chauvet reserves the right to use its own discretion to repair or replace returned product(s).

Contact Us

General Information	Technical Support
Chauvet World Headquarters	
Address: 5200 NW 108th Ave. Sunrise, FL 33351 Voice: (954) 577-4455 Fax: (954) 929-5560 Toll Free: (800) 762-1084	Voice: (844) 393-7575 Fax: (954) 756-8015 Email: chauvetcs@chauvetlighting.com Website: www.chauvetdj.com
Chauvet Europe Ltd	
Address: Unit 1C Brookhill Road Industrial Estate Pinxton, Nottingham, UK NG16 6NT Voice: +44 (0) 1773 511115 Fax: +44 (0) 1773 511110	Email: UKtech@chauvetlighting.eu Website: www.chauvetdj.eu
Chauvet Europe BVBA	
Address: Stokstraat 18 9770 Kruishoutem Belgium Voice: +32 9 388 93 97	Email: BNLtech@chauvetlighting.eu Website: www.chauvetdj.eu
Chauvet France	
Address: 3, Rue Ampère 91380 Chilly-Mazarin France Voice: +33 1 78 85 33 59	Email: FRtech@chauvetlighting.fr Website: www.chauvetdj.eu
Chauvet Germany	
Address: Bruno-Bürgel-Str. 11 28759 Bremen Germany Voice: +49 421 62 60 20	Email: DEtech@chauvetlighting.de Website: www.chauvetdj.eu
Chauvet Mexico	
Address: Av. de las Partidas 34 - 3B (Entrance by Calle 2) Zona Industrial Lerma Lerma, Edo. de México, CP 52000 Voice: +52 (728) 690-2010	Email: servicio@chauvet.com.mx Website: www.chauvetdj.mx

Visit the applicable website above to verify our contact information and instructions to request support. Outside the U.S., U.K., Ireland, Mexico, France, Germany, or Benelux, contact the dealer of record.