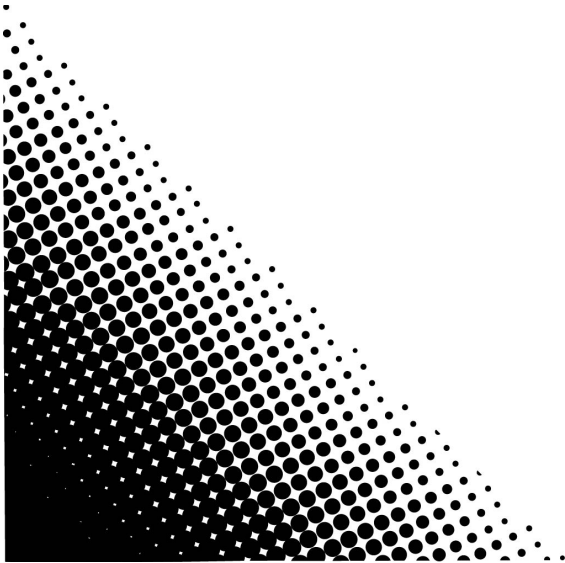
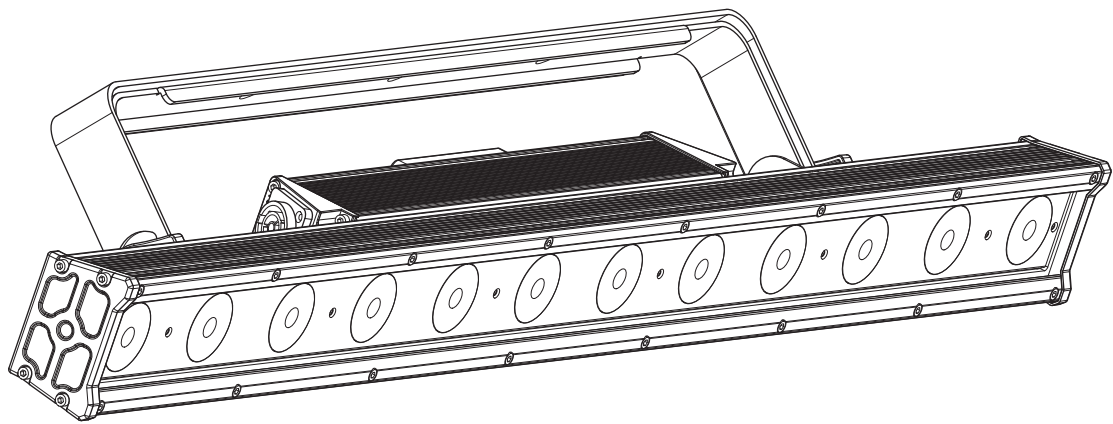


# COLOrband Q4 IP

## User Manual



---

**TABLE OF CONTENTS**

<b>1. Before You Begin</b> .....	1
What Is Included .....	1
Unpacking Instructions .....	1
Claims .....	1
Text Conventions .....	1
Symbols .....	1
Disclaimer .....	1
Intellectual Property .....	1
Safety Notes .....	2
<b>2. Introduction</b> .....	3
Product Overview .....	3
Product Dimensions .....	3
<b>3. Setup</b> .....	4
AC Power .....	4
Power Linking .....	4
Mounting .....	5
Orientation .....	5
Rigging .....	5
<b>4. Operation</b> .....	6
Control Panel Operation .....	6
Menu Map .....	6
Configuration (DMX) .....	6
Starting Address .....	6
DMX Channel Assignments and Values .....	7
Configuration (Standalone) .....	9
Automatic Program .....	9
Auto Program Speed .....	9
Static Color Mode .....	9
Custom Color Mixing .....	9
Dimmer .....	9
Screen Lock .....	9
Factory Reset .....	9
Master/Slave Mode .....	10
<b>5. Maintenance</b> .....	11
Product Maintenance .....	11
<b>6. Technical Specifications</b> .....	12
<b>Returns</b> .....	13
<b>Contact Us</b> .....	14

# 1. Before You Begin

## What Is Included

- COLORband Q4 IP
- Power cord
- Quick Reference Guide

## Unpacking Instructions

Carefully unpack the product immediately and check the container to make sure all the parts are in the package and are in good condition.

### Claims




If the box or the contents (the product and included accessories) appear damaged from shipping, or show signs of mishandling, notify the carrier immediately, not Chauvet. Failure to report damage to the carrier immediately may invalidate your claim. In addition, keep the box and contents for inspection.

For other issues, such as missing components or parts, damage not related to shipping, or concealed damage, file a claim with Chauvet within 7 days of delivery.

## Text Conventions

Convention	Meaning
<b>1–512</b>	A range of values
<b>50/60</b>	A set of values of which only one can be chosen
<b>Settings</b>	A menu option not to be modified
<b>&lt;ENTER&gt;</b>	A key to be pressed on the product's control panel
<b>ON</b>	A value to be entered or selected

## Symbols

Symbol	Meaning
	Critical installation, configuration, or operation information. Not following these instructions may make the product not work, cause damage to the product, or cause harm to the operator.
	Important installation or configuration information. The product may not function correctly if this information is not used.
	Useful information.

## Disclaimer

Chauvet believes that the information contained in this manual is accurate in all respects. However, Chauvet assumes no responsibility and specifically disclaims any and all liability to any party for any loss, damage or disruption caused by any errors or omissions in this document, whether such errors or omissions result from negligence, accident or any other cause. Chauvet reserves the right to revise the content of this document without any obligation to notify any person or company of such revision, however, Chauvet has no obligation to make, and does not commit to make, any such revisions. Download the latest version from [www.chauvetdj.com](http://www.chauvetdj.com).

## Intellectual Property

The works of authorship contained in this manual, including, but not limited to, all design, text and images are owned by Chauvet.

© Copyright 2021 Chauvet & Sons, LLC. All rights reserved.

Electronically published by Chauvet in the United States of America.

CHAUVET, the Chauvet logo, and COLORband Q4 IP are registered trademarks or trademarks of Chauvet & Sons LLC (d/b/a Chauvet and Chauvet Lighting) in the United States and other countries. Other company and product names and logos referred to herein may be trademarks of their respective companies.

## Safety Notes

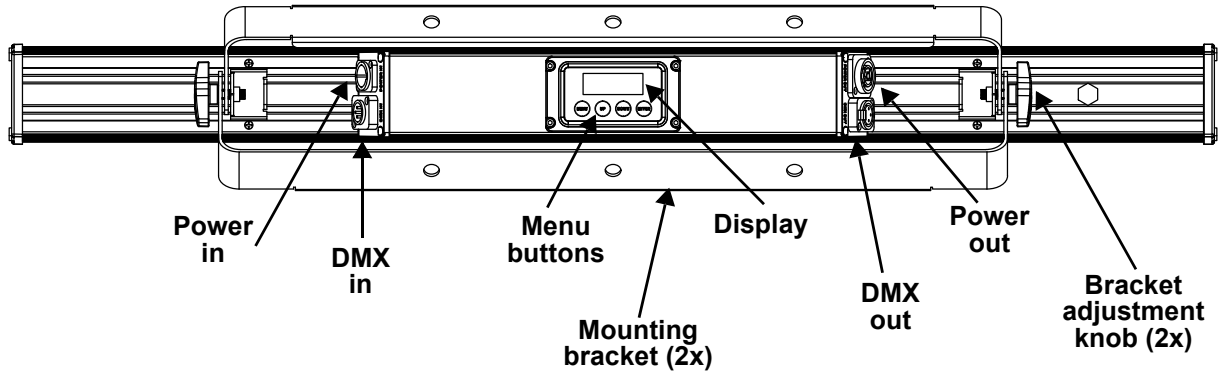
- This product is not intended for permanent installation.
- Do not submerge this product (IP65). Temporary outdoor operation is fine.
- When using this product in an outdoor environment, use IP65- (or higher) rated power and data cables. Secure unused power and data ports with attached IP65 covers.
- Not for permanent outdoor installation in locations with extreme environmental conditions. This includes, but is not limited to:
  - Exposure to marine/saline environment (within 3 miles of saltwater body of water).
  - Locations where the normal high or low temperatures exceed the temperature ranges in this manual.
  - Locations that are prone to flooding or being buried in snow.
  - Areas where the product will be subjected to extreme radiation or caustic substances.
- Always connect the product to a grounded circuit to avoid the risk of electrocution.
- Avoid direct eye exposure to the light source while the product is on.
- Make sure the power cord is not crimped or damaged.
- Never disconnect the product from power by pulling or tugging on the cord.
- If mounting the product overhead, always secure to a fastening device using a safety cable.
- Make sure there are no flammable materials close to the product when operating.
- Do not touch the product's housing when operating because it may be very hot.
- The voltage of the outlet to which you are connecting this product must be within the range stated on the decal or rear panel of the product.
- Always install the product in a location with adequate ventilation, at least 20 in (50 cm) from adjacent surfaces.
- Never connect the product to a dimmer or rheostat.
- Make sure to replace the fuse with another of the same type and rating.
- Never carry the product from the power cord or any moving part. Always use the bracket.
- The maximum ambient temperature is 104 °F (40 °C). Do not operate this product at higher temperatures.
- In the event of a serious operating problem, stop using the product immediately.
- Do not open this product. It contains no user-serviceable parts.
- To eliminate unnecessary wear and improve its lifespan, during periods of non-use completely disconnect the product from power via breaker or by unplugging it.



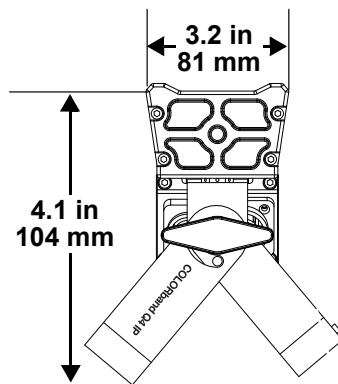
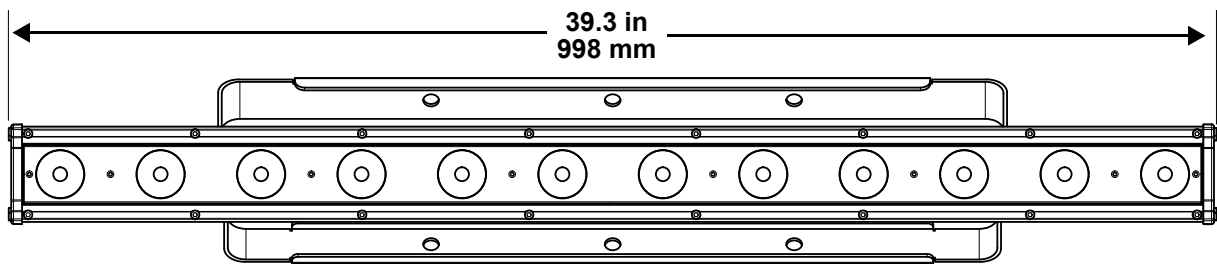
Keep this User Manual for future use. If the product is sold to someone else, be sure that they also receive this document.

## 2. Introduction

### Product Overview



### Product Dimensions



### 3. Setup

#### AC Power

The COLORband Q4 IP has an auto-ranging power supply, and it can work with an input voltage range of 100 to 240 VAC, 50/60 Hz.

To determine the product's power requirements (circuit breaker, power outlet, and wiring), use the current value listed on the label affixed to the product's back panel, or refer to the product's specifications chart.

The listed current rating indicates the product's average current draw under normal conditions.



- **Always connect the product to a protected circuit (a circuit breaker or fuse). Make sure the product has an appropriate electrical ground to avoid the risk of electrocution or fire.**
- **To eliminate unnecessary wear and improve its lifespan, during periods of non-use completely disconnect the product from power via breaker or by unplugging it.**

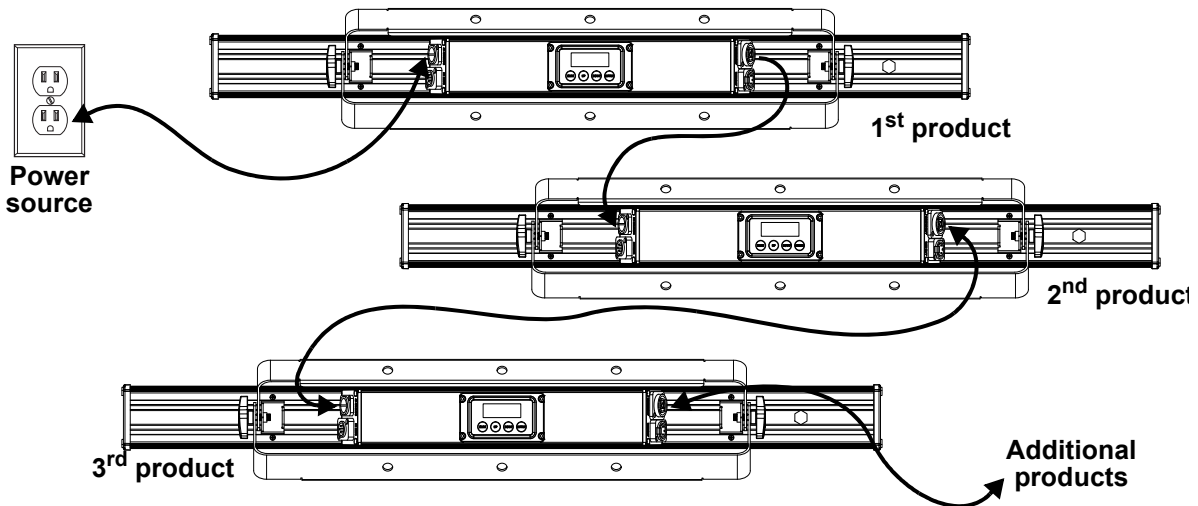


**Never connect the product to a rheostat (variable resistor) or dimmer circuit, even if the rheostat or dimmer channel serves only as a 0 to 100% switch.**

#### Power Linking

The product provides power linking via the outlet located in the back of the product. See the diagram below for further explanation.

##### Power Linking Diagram



**You can power link up to 9 COLORband Q4 IP products on 120 VAC or up to 16 products on 230 VAC.**

## Mounting

Before mounting the product, read and follow the safety recommendations indicated in the [Safety Notes](#).

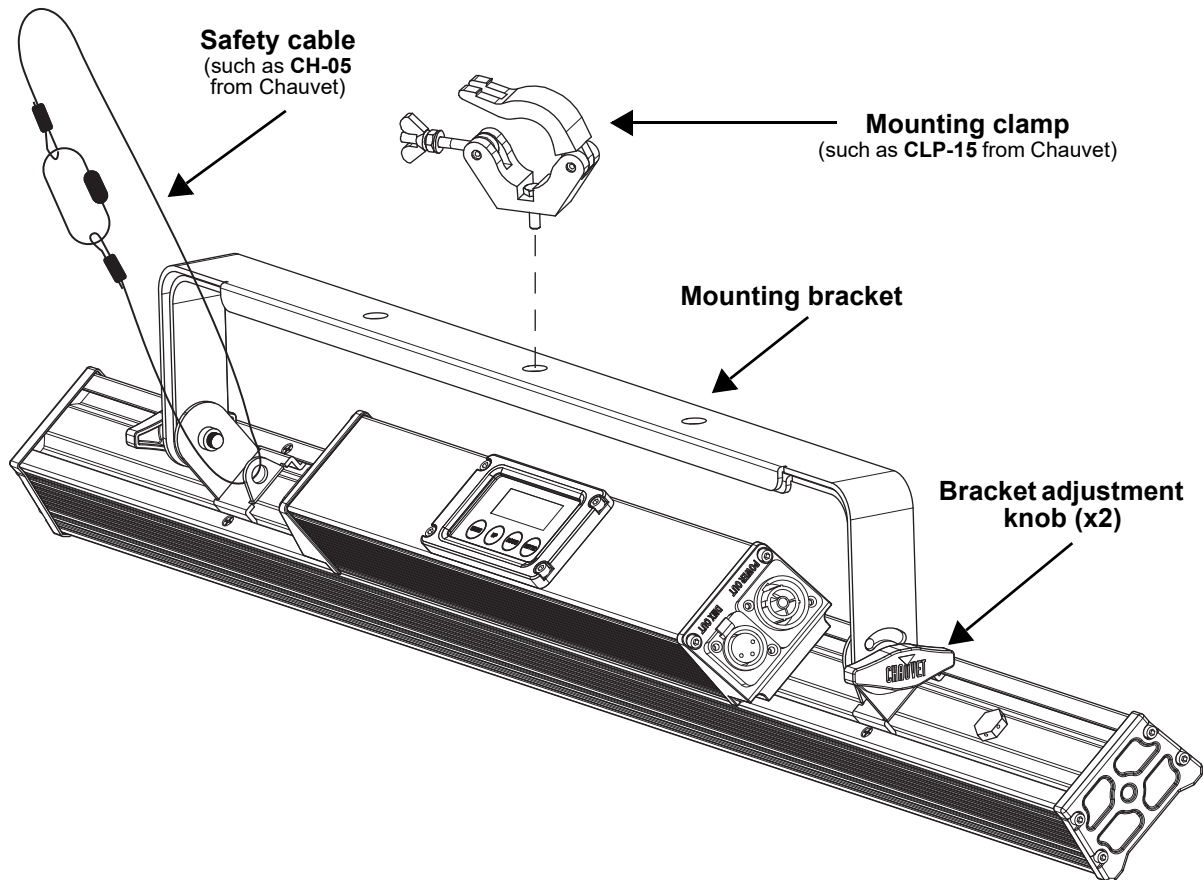
### Orientation

The COLORband Q4 IP may be mounted in any position; however, make sure adequate ventilation is provided around the product.

### Rigging

- Before deciding on a location, always make sure there is easy access to the product for maintenance and programming.
- Make sure adequate ventilation is provided around the product.
- Make sure that the structure or surface onto which you are mounting the product can support the product's weight (see the [Technical Specifications](#)).
- When mounting the product overhead, always use a safety cable. Mount the product securely to a rigging point, whether an elevated platform or a truss.
- When rigging the product onto a truss, use a mounting clamp of appropriate weight capacity.
- When power linking multiple products, mount the products close enough for power-linking cables to reach.
- The bracket adjustment knobs allow for directional adjustment when aiming the product to the desired angle. Only loosen or tighten the bracket knobs manually. Using tools could damage the knobs.

### Mounting Diagram



## 4. Operation

### Control Panel Operation

To access the control panel functions, use the four buttons located underneath the display. Refer to the [Product Overview](#) to see the button locations on the control panel.

Button	Function
<MENU>	Exits from the current menu or function
<UP>	Navigates upwards through the menu list or increases a selected numeric value
<DOWN>	Navigates downwards through the menu list or decreases a selected numeric value
<ENTER>	Enables the currently displayed menu or sets a selected value into the selected function

### Menu Map

Refer to the COLORband Q4 IP product page on [www.chauvetdj.com](http://www.chauvetdj.com) for the latest menu map.

Mode	Programming Levels		Description	
DMX Mode	4CH	d. 1–509	Sets the DMX personality and starting address	
	7CH	d. 1–506		
	10CH	d. 1–503		
	16CH	d. 1–497		
	22CH	d. 1–491		
Static Color	C--	C 1–19	Static colors	
Auto Program	P--	P 1–11	Automatic programs	
Auto Speed	S--	S. 1–100	Program speed for P 1–11	
Custom Color Mixing	u--	r. 0–255 G. 0–255 b. 0–255 A. 0–255	Adjust the red, green, blue, and amber levels to create custom colors	
Dimmer Mode	dIM	oFF	Sets the dimmer curve: <b>dIM1</b> (fast) to <b>dIM3</b> (slow), or <b>oFF</b>	
		dIM1–3		
Control Mode	SEt	PASS	oFF	Deactivates password protection to unlock screen
			on	Activates password protection to lock screen Password: <UP>, <DOWN>, <UP>, <DOWN>, <ENTER>
	rESt	no	Resets the product to factory defaults	
		YES		

### Configuration (DMX)

The COLORband Q4 IP works with a DMX controller. Information about DMX is in the CHAUVET DMX Primer, which is available from the Chauvet website [http://www.chauvetlighting.com/downloads/DMX\\_Primer\\_rev05\\_WO.pdf](http://www.chauvetlighting.com/downloads/DMX_Primer_rev05_WO.pdf).

#### Starting Address

When selecting a starting DMX address, always consider the number of DMX channels the selected DMX mode uses. If you choose a starting address that is too high, you could restrict the access to some of the product's channels.

The COLORband Q4 IP uses up to 22 DMX channels, which defines the highest configurable address as **491**.

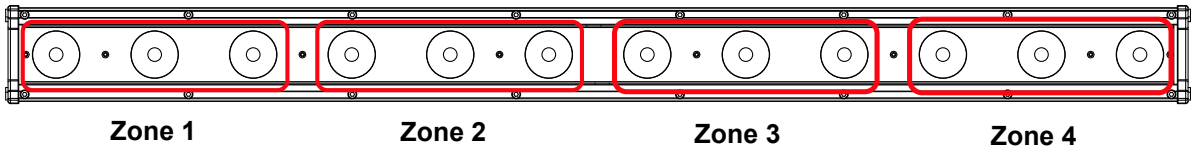
Download the DMX Primer from [www.chauvetdj.com](http://www.chauvetdj.com) to know more about the DMX protocol.

To select the starting address, do the following:

1. Press <MENU> repeatedly until **4Ch**, **7Ch**, **10Ch**, **16Ch**, or **22Ch** shows on the display.
2. Press <ENTER>.
3. Use <UP> or <DOWN> to select the starting address, from **d. 1–509**.
4. Press <ENTER>.



## DMX Channel Assignments and Values



16CH	22CH	Function	Value	Percent/Setting
–	1	Dimmer	000 ⇔ 255	0–100%
1	2	Red 1	000 ⇔ 255	0–100%
2	3	Green 1	000 ⇔ 255	0–100%
3	4	Blue 1	000 ⇔ 255	0–100%
4	5	Amber 1	000 ⇔ 255	0–100%
5	6	Red 2	000 ⇔ 255	0–100%
6	7	Green 2	000 ⇔ 255	0–100%
7	8	Blue 2	000 ⇔ 255	0–100%
8	9	Amber 2	000 ⇔ 255	0–100%
9	10	Red 3	000 ⇔ 255	0–100%
10	11	Green 3	000 ⇔ 255	0–100%
11	12	Blue 3	000 ⇔ 255	0–100%
12	13	Amber 3	000 ⇔ 255	0–100%
13	14	Red 4	000 ⇔ 255	0–100%
14	15	Green 4	000 ⇔ 255	0–100%
15	16	Blue 4	000 ⇔ 255	0–100%
16	17	Amber 4	000 ⇔ 255	0–100%
–	18	Color macros	000 ⇔ 010 011 ⇔ 255	No function Color macros
–	19	Strobe	000 ⇔ 015 016 ⇔ 255	No function Strobe, slow to fast
–	20	Automatic programs	000 ⇔ 005 006 ⇔ 028 029 ⇔ 051 052 ⇔ 074 075 ⇔ 097 098 ⇔ 120 121 ⇔ 143 144 ⇔ 166 167 ⇔ 189 190 ⇔ 212 213 ⇔ 235 236 ⇔ 255	No function Automatic program 1 (4-color snap) Automatic program 2 (4-color fade) Automatic program 3 (11-color snap) Automatic program 4 (11-color fade) Automatic program 5 (4-color 4-zone step) Automatic program 6 (11-color in-out snap) Automatic program 7 (11-color in-out fade) Automatic program 8 (rainbow fade) Automatic program 9 (police) Automatic program 10 (police 2) Automatic program 11 (4-zone rainbow fade)
–	21	Program speed	000 ⇔ 255	Automatic program speed, slow to fast
–	22	Dimmer speed mode	000 ⇔ 051 052 ⇔ 101 102 ⇔ 152 153 ⇔ 203 204 ⇔ 255	Preset dimmer speed from display menu Dimmer speed mode off Dimmer speed mode 1 (fast) Dimmer speed mode 2 (medium) Dimmer speed mode 3 (slow)

4CH	7CH	10CH	Function	Value	Percent/Setting
–	1	1	<b>Dimmer</b>	<b>000 ⇔ 255</b>	0–100%
1	2	2	<b>Red</b>	<b>000 ⇔ 255</b>	0–100%
2	3	3	<b>Green</b>	<b>000 ⇔ 255</b>	0–100%
3	4	4	<b>Blue</b>	<b>000 ⇔ 255</b>	0–100%
4	5	5	<b>Amber</b>	<b>000 ⇔ 255</b>	0–100%
–	–	6	<b>Color macros</b>	<b>000 ⇔ 010</b> <b>011 ⇔ 255</b>	No function Color macros
–	6	7	<b>Strobe</b>	<b>000 ⇔ 015</b> <b>016 ⇔ 255</b>	No function Strobe, slow to fast
–	–	8	<b>Automatic programs</b>	<b>000 ⇔ 005</b> <b>006 ⇔ 028</b> <b>029 ⇔ 051</b> <b>052 ⇔ 074</b> <b>075 ⇔ 097</b> <b>098 ⇔ 120</b> <b>121 ⇔ 143</b> <b>144 ⇔ 166</b> <b>167 ⇔ 189</b> <b>190 ⇔ 212</b> <b>213 ⇔ 235</b> <b>236 ⇔ 255</b>	No function Automatic program 1 (4-color snap) Automatic program 2 (4-color fade) Automatic program 3 (11-color snap) Automatic program 4 (11-color fade) Automatic program 5 (4-color 4-zone step) Automatic program 6 (11-color in-out snap) Automatic program 7 (11-color in-out fade) Automatic program 8 (rainbow fade) Automatic program 9 (police) Automatic program 10 (police 2) Automatic program 11 (4-zone rainbow fade)
–	–	9	<b>Program speed</b>	<b>000 ⇔ 255</b>	Automatic program speed, slow to fast
–	7	10	<b>Dimmer speed mode</b>	<b>000 ⇔ 051</b> <b>052 ⇔ 101</b> <b>102 ⇔ 152</b> <b>153 ⇔ 203</b> <b>204 ⇔ 255</b>	Preset dimmer speed from display menu Dimmer speed mode off Dimmer speed mode 1 (fast) Dimmer speed mode 2 (medium) Dimmer speed mode 3 (slow)

## Configuration (Standalone)

Set the product in the standalone mode to control without a DMX controller.



**Never connect a product that is operating in any standalone mode to a DMX string connected to a DMX controller. Products in standalone mode may transmit DMX signals that could interfere with the DMX signals from the controller.**

### Automatic Program

To run a program on the COLORband Q4 IP, follow the instructions below.

1. Press **<MENU>** repeatedly until **P--** shows on the display.
2. Press **<ENTER>**.
3. Use **<UP>** or **<DOWN>** to select an automatic program, from **P 1–11**.
4. Press **<ENTER>**.

### Auto Program Speed

To adjust the auto program speed on the COLORband Q4 IP, do the following:

1. Press **<MENU>** repeatedly until **S--** shows on the display.
2. Use **<UP>** or **<DOWN>** to increase or decrease the program speed, from **S. 1–100**.
3. Press **<ENTER>**.

### Static Color Mode

To run the COLORband Q4 IP on a static color, follow the instructions below.

1. Press **<MENU>** repeatedly until **C--** shows on the display.
2. Press **<ENTER>**.
3. Use **<UP>** or **<DOWN>** to select a static color, from **C 1–19**.
4. Press **<ENTER>**.

### Custom Color Mixing

To mix a custom color on the COLORband Q4 IP, do the following:

1. Press **<MENU>** repeatedly until **u--** shows on the display.
2. Press **<ENTER>** and one of the following will show on the display:
  - **r. \_\_\_** (red)
  - **G. \_\_\_** (green)
  - **b. \_\_\_** (blue)
  - **A. \_\_\_** (amber)
3. Press **<ENTER>** to cycle through the options.
4. Use **<UP>** or **<DOWN>** to increase or decrease the selected value, from **0–255**.
5. Repeat steps 3 and 4 until the color is set as desired.

### Dimmer

To set the dimmer value on the COLORband Q4 IP, follow the instructions below.

1. Press **<MENU>** repeatedly until **dim** shows on the display.
2. Press **<ENTER>**.
3. Use **<UP>** or **<DOWN>** to set the dimmer, from **dim1** (fast) to **dim3** (slow) or **OFF**.
4. Press **<ENTER>**.

### Screen Lock

To lock/unlock the touchscreen on the COLORband Q4 IP, do the following:

1. Press **<MENU>** repeatedly until **Set** shows on the display. Press **<ENTER>**.
2. Use **<UP>** or **<DOWN>** to select **PASS**. Press **<ENTER>**.
3. Use **<UP>** or **<DOWN>** to select **on** (activates password protection to lock screen) or **oFF** (deactivates password protection to unlock screen).
4. Press **<ENTER>**.



**Password: <UP>, <DOWN>, <UP>, <DOWN>, <ENTER>**

### Factory Reset

To reset the COLORband Q4 IP to default factory settings, follow the instructions below:

1. Press **<MENU>** repeatedly until **Set** shows on the display. Press **<ENTER>**.
2. Use **<UP>** or **<DOWN>** to select **rEst**. Press **<ENTER>**.
3. Use **<UP>** or **<DOWN>** to select **YES** (resets product to factory default) or **no** (keep current settings).
4. Press **<ENTER>**.

## Master/Slave Mode

The Master/Slave mode allows a single COLORband Q4 IP product (the “master”) to control the actions of one or more COLORband Q4 IP products (the “slaves”) without the need of a DMX controller. The master product will be set to operate in standalone, while the slave products will be set to operate in Slave mode. Once set and connected, the slave products will operate in unison with the master product.

Configure the products as indicated below.

### Slave products:

1. Press **<MENU>** repeatedly until **4Ch** shows on the display.
2. Press **<ENTER>**.
3. Set the DMX address to **d. 1**.
4. Connect the DMX input of the first slave product to the DMX output of the master product.
5. Connect the DMX input of the subsequent slave products to the DMX output of the previous slave product.
6. Finish setting and connecting all the slave products.

### Master product:

1. Press **<MENU>** repeatedly to go to the desired function or program.
2. Press **<ENTER>**.
3. Set the master product to operate in standalone.
4. Make the master product the first product in the DMX daisy chain.



- **Configure all the slave products before connecting the master to the daisy chain.**
- **Never connect a DMX controller to a DMX string configured for Master/Slave operation because the controller may interfere with the signals from the master.**
- **Do not connect more than 15 slaves to the master.**

## 5. Maintenance

### Product Maintenance

Dust build-up reduces light output performance and can cause overheating. This can lead to reduction of the light source's life and/or mechanical wear. To maintain optimum performance and minimize wear, clean your lighting products at least twice a month. However, be aware that usage and environmental conditions could be contributing factors to increase the cleaning frequency.

To clean the product, follow the instructions below:

1. Unplug the product from power.
2. Wait until the product is at room temperature.
3. Use a vacuum (or dry compressed air) and a soft brush to remove dust collected on the external surface/vents.
4. Clean all transparent surfaces with a mild soap solution, ammonia-free glass cleaner, or isopropyl alcohol.
5. Apply the solution directly to a soft, lint-free cotton cloth or a lens-cleaning tissue.
6. Softly drag any dirt or grime to the outside of the transparent surface.
7. Gently polish the transparent surfaces until they are free of haze and lint.



**Always dry the transparent surfaces carefully after cleaning them.**

## 6. Technical Specifications

### Dimensions and Weight

Length	Width	Height	Weight
39.3 in (998 mm)	3.2 in (81 mm)	4.1 in (104 mm)	11.8 lb (5.35 kg)

**Note:** Dimensions in inches are rounded.

### Power

Power Supply Type	Range	Voltage Selection
Switching (internal)	100 to 240 VAC, 50/60 Hz	Auto-ranging

Parameter	120 V, 60 Hz	230 V, 50 Hz
Consumption	87 W	86 W
Operating current	1.18 A	0.67 A
Power-linking current (products)	11.2 A (9 products)	11.2 A (16 products)
Fuse	T 3.15 A, 250 V	T 3.15 A, 250 V

Power I/O	U.S./Worldwide	UK/Europe
Power input connector	powerCON® TRUE1	powerCON® TRUE1
Power output connector	powerCON® TRUE1	powerCON® TRUE1
Power cord plug	Edison	Bare wire

### Light Source

Type	Color	Quantity	Power	Current	Lifespan
LED	Quad-color RGBA	12	6 W	2.06 A	50,000 hours

### Photometrics

Beam Angle	Field Angle	Illuminance @ 2 m
14°	27°	7,074 lux

### Thermal

Maximum External Temperature	Cooling System
104 °F (40 °C)	Convection

### DMX

I/O Connector	Channel Range
3-pin XLR	4, 7, 10, 16, or 22 channels

### Ordering

Product Name	Item Code	UPC Number
COLORband Q4 IP	10031864	781462222123



RoHS



# Returns

In case you need to get support or return a product:

- If you are located in the U.S., contact Chauvet World Headquarters.
- If you are located in the U.K. or Ireland, contact Chauvet Europe Ltd.
- If you are located in Benelux, contact Chauvet Europe BVBA.
- If you are located in France, contact Chauvet France.
- If you are located in Germany, contact Chauvet Germany.
- If you are located in Mexico, contact Chauvet Mexico.
- If you are located in any other country, DO NOT contact Chauvet. Instead, contact your local distributor. See [www.chauvetdj.com](http://www.chauvetdj.com) for distributors outside the U.S., U.K., Ireland, Benelux, France, Germany, or Mexico.



**If you are located outside the U.S., U.K., Ireland, Benelux, France, Germany, or Mexico, contact your distributor of record and follow their instructions on how to return Chauvet products to them. Visit our website [www.chauvetdj.com](http://www.chauvetdj.com) for contact details.**

Call the corresponding Chauvet Technical Support office and request a Return Merchandise Authorization (RMA) number before shipping the product. Be prepared to provide the model number, serial number, and a brief description of the cause for the return.

To submit a service request online, go to [www.chauvetdj.com/service-request](http://www.chauvetdj.com/service-request).

Send the merchandise prepaid, in its original box, and with its original packing and accessories. Chauvet will not issue call tags.

Clearly label the package with the RMA number. Chauvet will refuse any product returned without an RMA number.



**Write the RMA number on a properly affixed label. DO NOT write the RMA number directly on the box.**

Before sending the product, clearly write the following information on a piece of paper and place it inside the box:

- Your name
- Your address
- Your phone number
- RMA number
- A brief description of the problem

Be sure to pack the product properly. Any shipping damage resulting from inadequate packaging will be your responsibility. FedEx packing or double-boxing are recommended.



**Chauvet reserves the right to use its own discretion to repair or replace returned product(s).**

## Contact Us

General Information	Technical Support
<b>Chauvet World Headquarters</b>	
Address: 5200 NW 108th Ave. Sunrise, FL 33351 Voice: (954) 577-4455 Fax: (954) 929-5560 Toll Free: (800) 762-1084	Voice: (844) 393-7575 Fax: (954) 756-8015 Email: <a href="mailto:chauvetcs@chauvetlighting.com">chauvetcs@chauvetlighting.com</a> Website: <a href="http://www.chauvetdj.com">www.chauvetdj.com</a>
<b>Chauvet Europe Ltd</b>	
Address: Unit 1C Brookhill Road Industrial Estate Pinxton, Nottingham, UK NG16 6NT Voice: +44 (0) 1773 511115 Fax: +44 (0) 1773 511110	Email: <a href="mailto:UKtech@chauvetlighting.eu">UKtech@chauvetlighting.eu</a> Website: <a href="http://www.chauvetdj.eu">www.chauvetdj.eu</a>
<b>Chauvet Europe BVBA</b>	
Address: Stokstraat 18 9770 Kruishoutem Belgium Voice: +32 9 388 93 97	Email: <a href="mailto:BNLtech@chauvetlighting.eu">BNLtech@chauvetlighting.eu</a> Website: <a href="http://www.chauvetdj.eu">www.chauvetdj.eu</a>
<b>Chauvet France</b>	
Address: 3, Rue Ampère 91380 Chilly-Mazarin France Voice: +33 1 78 85 33 59	Email: <a href="mailto:FRtech@chauvetlighting.fr">FRtech@chauvetlighting.fr</a> Website: <a href="http://www.chauvetdj.eu">www.chauvetdj.eu</a>
<b>Chauvet Germany</b>	
Address: Bruno-Bürgel-Str. 11 28759 Bremen Germany Voice: +49 421 62 60 20	Email: <a href="mailto:DEtech@chauvetlighting.de">DEtech@chauvetlighting.de</a> Website: <a href="http://www.chauvetdj.eu">www.chauvetdj.eu</a>
<b>Chauvet Mexico</b>	
Address: Av. de las Partidas 34 - 3B (Entrance by Calle 2) Zona Industrial Lerma Lerma, Edo. de México, CP 52000 Voice: +52 (728) 690-2010	Email: <a href="mailto:servicio@chauvet.com.mx">servicio@chauvet.com.mx</a> Website: <a href="http://www.chauvetdj.mx">www.chauvetdj.mx</a>

Visit the applicable website above to verify our contact information and instructions to request support. Outside the U.S., U.K., Ireland, Mexico, France, Germany, or Benelux, contact the dealer of record.