

INTIMIDATOR

SPOT 360X IP

User Manual




CHAUVET 3

TABLE OF CONTENTS

| | |
|--|-----------|
| 1. Before You Begin | 1 |
| What Is Included | 1 |
| Unpacking Instructions..... | 1 |
| Claims | 1 |
| Text Conventions | 1 |
| Symbols | 1 |
| Disclaimer | 1 |
| Intellectual Property | 1 |
| Safety Notes..... | 2 |
| 2. Introduction | 3 |
| Product Overview..... | 3 |
| Product Dimensions..... | 3 |
| 3. Setup | 4 |
| AC Power..... | 4 |
| Fuse Replacement..... | 4 |
| Power Linking..... | 4 |
| Mounting | 5 |
| Orientation..... | 5 |
| Rigging | 5 |
| 4. Operation | 6 |
| Control Panel Operation..... | 6 |
| Menu Map | 6 |
| Configuration (DMX) | 7 |
| Starting Address..... | 7 |
| DMX Personalities..... | 7 |
| DMX Channel Assignments and Values | 8 |
| 08CH/16CH..... | 8 |
| Configuration (Standalone) | 10 |
| Automatic Programs..... | 10 |
| Sound-Active Mode..... | 10 |
| Sound Sensitivity..... | 10 |
| Manual Mode..... | 10 |
| Configuration (Settings) | 10 |
| Pan Reverse..... | 10 |
| Tilt Reverse | 11 |
| Screen Reverse..... | 11 |
| Pan Angle..... | 11 |
| Tilt Angle | 11 |
| Totem Mode | 11 |
| USB Update | 11 |
| RF Bind | 11 |
| Reset..... | 12 |
| Factory Reset..... | 12 |
| System Information | 12 |
| Master/Slave Mode | 12 |
| Zero Adjust Mode..... | 13 |
| 5. Maintenance..... | 14 |
| Product Maintenance | 14 |
| 6. Technical Specifications | 15 |
| Contact Us | 16 |
| Warranty & Returns..... | 16 |

1. Before You Begin

What Is Included

- Intimidator Spot 360X IP
- Hanging bracket
- Power cable
- Quick Reference Guide

Unpacking Instructions

Carefully unpack the product immediately and check the container to make sure all the parts are in the package and are in good condition.

Claims





If the box or the contents (the product and included accessories) appear damaged from shipping, or show signs of mishandling, notify the carrier immediately, not Chauvet. Failure to report damage to the carrier immediately may invalidate the claim. In addition, keep the box and contents for inspection.

For other issues, such as missing components or parts, damage not related to shipping, or concealed damage, file a claim with Chauvet within 7 days of delivery.

Text Conventions

| Convention | Meaning |
|----------------------|--|
| 1–512 | A range of values |
| 50/60 | A set of values of which only one can be chosen |
| Settings | A menu option not to be modified |
| <ENTER> | A key to be pressed on the product’s control panel |
| ON | A value to be entered or selected |

Symbols

| Symbol | Meaning |
|---|---|
|  | Electrical warning. Not following these instructions may cause electrical damage to the product, accessories, or the user. |
|  | Critical installation, configuration, or operation information. Not following these instructions may make the product not work, cause damage to the product, or cause harm to the operator. |
|  | Important installation or configuration information. The product may not function correctly if this information is not used. |
|  | Useful information. |

Disclaimer

Chauvet believes that the information contained in this manual is accurate in all respects. However, Chauvet assumes no responsibility and specifically disclaims any and all liability to any party for any loss, damage or disruption caused by any errors or omissions in this document, whether such errors or omissions result from negligence, accident or any other cause. Chauvet reserves the right to revise the content of this document without any obligation to notify any person or company of such revision, however, Chauvet has no obligation to make, and does not commit to make, any such revisions. Download the latest version from www.chauvetdj.com.

Intellectual Property

The works of authorship contained in this manual, including, but not limited to, all design, text and images are owned by Chauvet.

© Copyright 2023 Chauvet & Sons, LLC. All rights reserved.

Electronically published by Chauvet in the United States of America.

CHAUVET, the Chauvet logo, and Intimidator Spot 360X IP are registered trademarks or trademarks of Chauvet & Sons LLC (d/b/a Chauvet and Chauvet Lighting) in the United States and other countries. Other company and product names and logos referred to herein may be trademarks of their respective companies.

Safety Notes

These Safety Notes include important information about installation, use, and maintenance.



- ONLY connect this product to a grounded and protected circuit.
- DISCONNECT from power before cleaning or replacing the fuse.
- DO NOT look at the light source when the product is on.
- Make sure the power cord is not crimped or damaged.
- Never disconnect this product from power by pulling on the cord.
- When mounting this product overhead, ALWAYS use a safety cable.
- DO NOT allow flammable materials close to the product when it is operating.
- DO NOT touch the product's housing when it is on because it will be hot.

- The voltage of the outlet to which you are connecting this product must be within the range stated on the decal or rear panel of the product.
- DO NOT open this product. It contains no user-serviceable parts.
- DO NOT submerge this product (IP65). Regular outdoor operation is fine.
- Not for permanent outdoor installation in locations with extreme environmental conditions. This includes, but is not limited to:
 - Exposure to a marine/saline environment (within 3 miles of a saltwater body of water).
 - Where the normal high or low temperatures of the location exceed the temperature ranges in this manual.
 - Locations that are prone to flooding or being buried in snow.
 - Other areas where the product will be subject to extreme radiation or caustic substances.



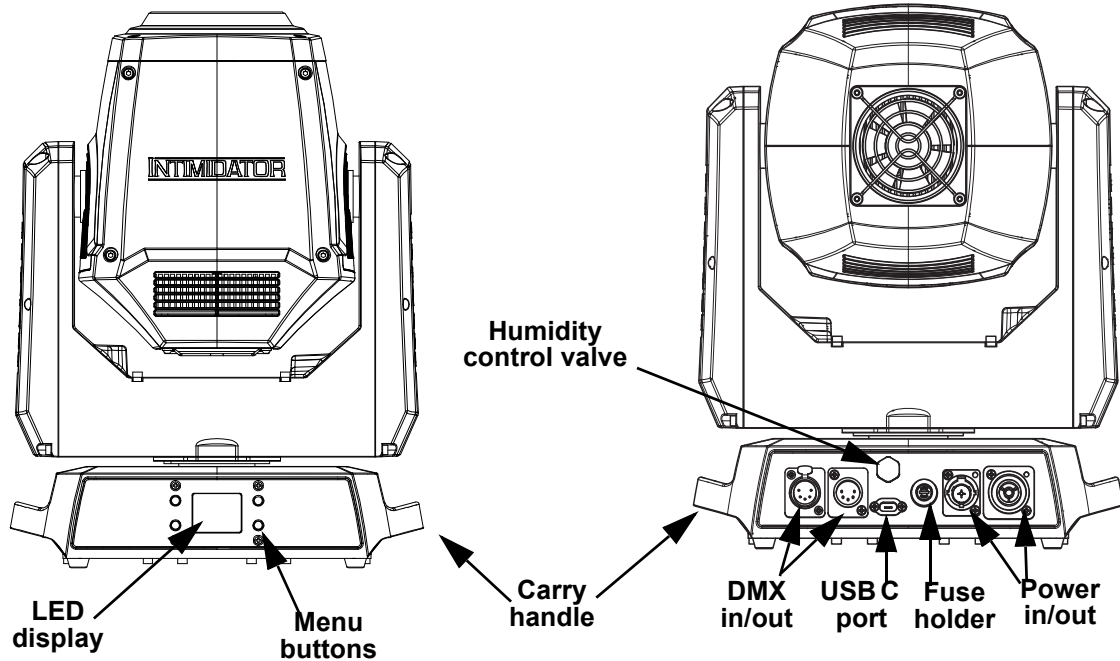
- Always mount this product in a location with adequate ventilation, at least 20 in (50 cm) from adjacent surfaces.
- Be sure that no ventilation slots on the unit's housing are blocked.
- Never connect this product to a dimmer or rheostat.
- Never carry the product by the power cord. Use only the hanging bracket or handle to carry this product.
- The maximum ambient temperature is 104 °F (40 °C). Do not operate this product at higher temperatures.
- In the event of a serious operating problem, stop using immediately.
- To eliminate unnecessary wear and improve its lifespan, during periods of non-use completely disconnect the product from power via breaker or by unplugging it.



Keep this User Manual for future use. If the product is sold to someone else, be sure that they also receive this document.

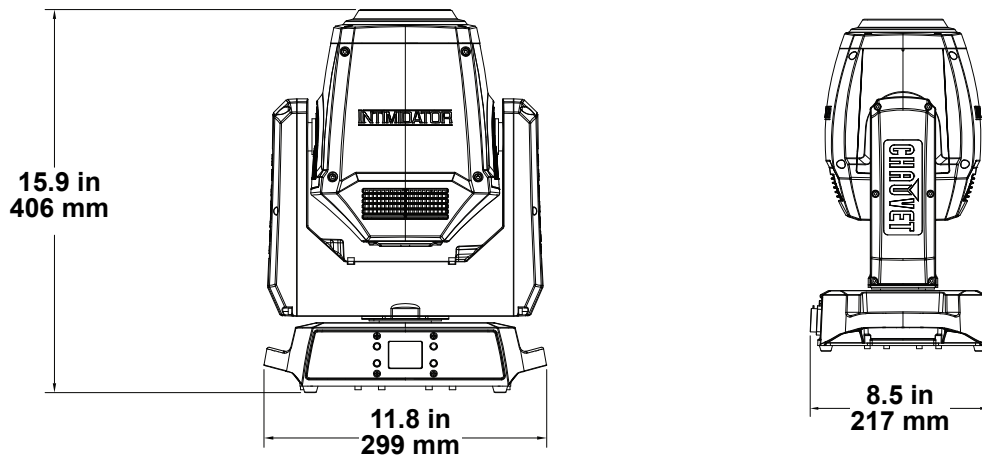
2. Introduction

Product Overview



WARNING! DO NOT plug anything other than a data connection into the USB C port. Doing so may cause damage to the product.

Product Dimensions



3. Setup

AC Power

The Intimidator Spot 360X IP has an auto-ranging power supply and it can work with an input voltage range of 100 to 240 VAC, 50/60 Hz.

To determine the product's power requirements (circuit breaker, power outlet, and wiring), use the current value listed on the label affixed to the product's back panel, or refer to the product's specifications chart. The listed current rating indicates the product's average current draw under normal conditions.



- **Always connect the product to a protected circuit (a circuit breaker or fuse). Make sure the product has an appropriate electrical ground to avoid the risk of electrocution or fire.**
- **To eliminate unnecessary wear and improve its lifespan, during periods of non-use completely disconnect the product from power via breaker or by unplugging it.**



Never connect the product to a rheostat (variable resistor) or dimmer circuit, even if the rheostat or dimmer channel serves only as a 0 to 100% switch.

Fuse Replacement

1. Disconnect the product from power.
2. Using a flat-head screwdriver, unscrew the fuse holder cap from the housing.
3. Remove the blown fuse.
4. Replace with a fuse of the same type and rating.
5. Screw the fuse holder cap back in place and reconnect power.

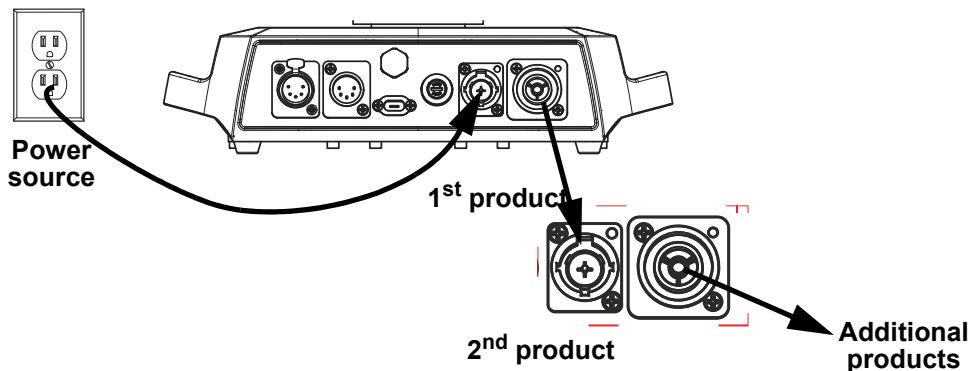


Disconnect the product from the power outlet before replacing the fuse.

Power Linking

The product provides power linking via the outlet located in the back of the product. See the diagram below for further explanation.

Power Linking Diagram



It is possible to power link up to 5 Intimidator Spot 360X IP products on 120 VAC or up to 9 Intimidator Spot 360X IP products on 230 VAC.



The power linking diagram corresponds to the North American version of the product ONLY! If using the product in other markets, consult with the local Chauvet distributor as power linking connectors and requirements may differ by country or region.

Mounting

Before mounting the product, read and follow the safety recommendations indicated in the [Safety Notes](#).

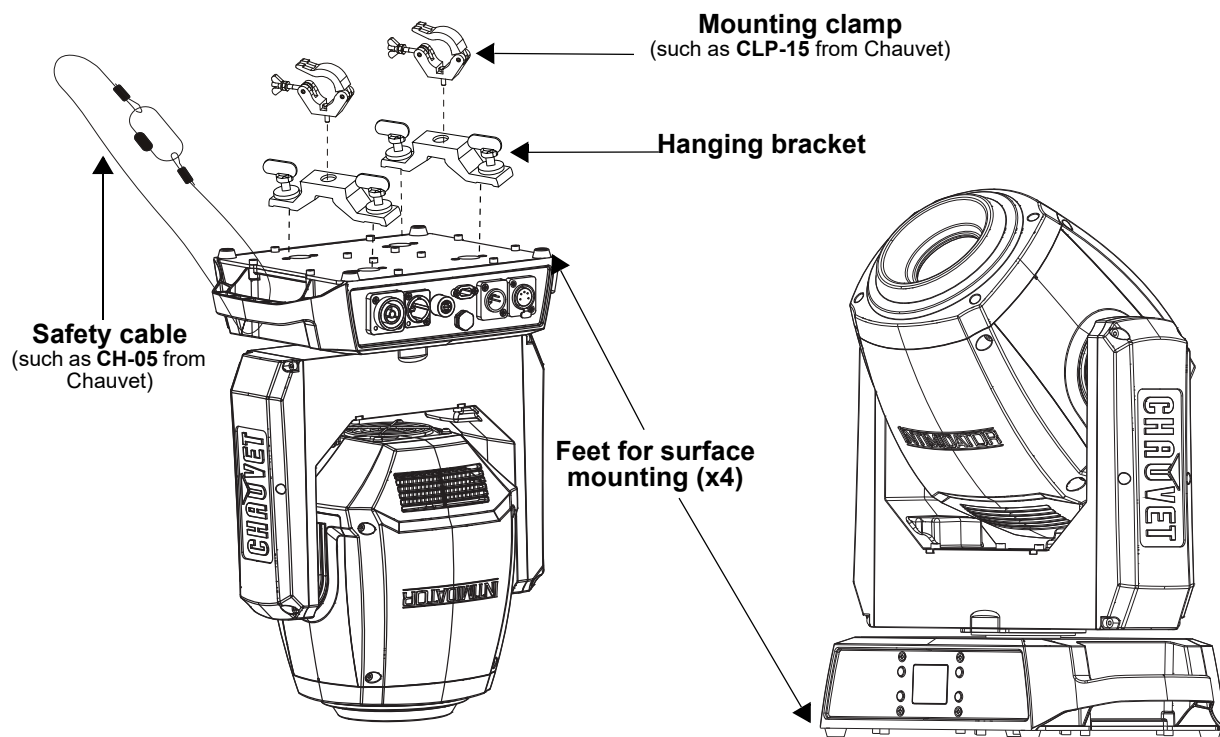
Orientation

The Intimidator Spot 360X IP may be mounted in any position; however, make sure adequate ventilation is provided around the product.

Rigging

- Before deciding on a location, always make sure there is easy access to the product for maintenance and programming.
- Make sure adequate ventilation is provided around the product.
- Make sure that the structure or surface onto which the product is being mounted can support the product's weight. (see the [Technical Specifications](#))
- When mounting the product overhead, always use a safety cable. Mount the product securely to a rigging point, whether an elevated platform or a truss.
- When rigging the product onto a truss, use a mounting clamp of appropriate weight capacity.
- When power linking multiple products, mount the products close enough for power linking cables to reach.
- When mounting the product on the floor, make sure that the product and cables are away from people and vehicles.

Mounting Diagram



4. Operation

Control Panel Operation

To access the control panel functions, use the four buttons located underneath the display. Please refer to the [Product Overview](#) to see the button locations on the control panel.

| Button | Function |
|---------|---|
| <MENU> | Press to find an operation mode or to back out of the current menu option |
| <UP> | Press to scroll up the list of options or to find a higher value |
| <DOWN> | Press to scroll down the list of options or to find a lower value |
| <ENTER> | Press to activate a menu option or a selected value |

Menu Map

Refer to the Intimidator Spot 360X IP product page on www.chauvetdj.com for the latest menu map.

| Main Level | Programming Levels | | Description | |
|--------------------|------------------------|--|-----------------------------------|---|
| Address | 001–512 | | Sets the DMX starting address | |
| Run Mode | DMX | 14CH | Selects DMX mode | |
| | | 08CH | | |
| | Slave | Slave1–4 | | Selects Slave mode 1, 2, 3, or 4 |
| | | Auto | | Selects Auto mode |
| | Sound | | Selects Sound-Active mode | |
| | RF | RF 1–4 | | Sets the product to work with the RFC-XL remote in group 1, 2, 3, or 4 (RF remote must be bound to the product first) |
| | | RFP | | Sets the product to work with public RF signal |
| | Manual | Pan | 000–255 | Manual pan control |
| | | Tilt | | Manual tilt control |
| | | Color | | Manual color control |
| | | Gobo | | Manual rotating gobo control |
| | | Gobo Rotate | | Manual gobo rotation control |
| | | Prism | | Manual prism control |
| | | Focus | | Manual focus control |
| Dimmer | | Manual dimmer control | | |
| Shutter | Manual shutter control | | | |
| Setup | Pan Reverse | OFF | Normal pan operation | |
| | | ON | Reverse pan operation | |
| | Tilt Reverse | OFF | Normal tilt operation | |
| | | ON | Reverse tilt operation | |
| | Screen Reverse | AUTO | Automatic display orientation | |
| | | NO | Normal display | |
| | | YES | Reverse display | |
| | Pan Angle | 540 | Selects the 540° pan angle range | |
| | | 360 | Selects the 360° pan angle range | |
| | | 180 | Selects the 180° pan angle range | |
| | Tilt Angle | 270 | Selects the 270° tilt angle range | |
| | | 180 | Selects the 180° tilt angle range | |
| | | 90 | Selects the 90° tilt angle range | |
| Totem Mode | OFF | Does not restrict the pan and tilt motion | | |
| | UP | Restricts the pan and tilt motion for overhead mounting | | |
| | DOWN | Restricts the pan and tilt motion for surface/floor mounting | | |
| Sensitivity | 001–100 | Sets sound sensitivity | | |

| Main Level | Programming Levels | | Description |
|------------------|--------------------|------------------------|--|
| Setup (cont.) | DMX Loss | Hold | Holds the last setting when signal is lost |
| | | Black | Blacks out the product when signal is lost |
| | | Auto | Sets the unit to Auto mode when signal is lost |
| | | Sound | Sets the unit to Sound mode when signal is lost |
| | USB Update | NO | Enables/disables software update through USB-C |
| | | YES | |
| | RF | BIND | Shows instructions on how to bind the RF remote to the product |
| Reset | | Resets the product | |
| Factory Set | | Loads factory defaults | |
| Sys Info | Ver: | V_ | Displays the firmware version |
| | Running Mode: | ----- | Displays the current running mode |
| | DMX Address: | --- | Displays the current DMX address |
| | Temperature: | --- | Displays the current product temperature |
| | LED FAN: | ---- | Displays LED fan information |
| | Base Fan1: | ---- | Displays base fan information |

Configuration (DMX)

The Intimidator Spot 360X IP works with a DMX controller. Information about DMX is in the CHAUVET DMX Primer, which is available from the Chauvet website http://www.chauvetlighting.com/downloads/DMX_Primer_rev05_WO.pdf.

Starting Address

When selecting a starting DMX address, always consider the number of DMX channels the selected DMX mode uses. If choosing a starting address that is too high, this could restrict the access to some of the product's channels.

The Intimidator Spot 360X IP uses up to 14 DMX channels, which defines the highest recommended address to **499**.

If not familiar with the DMX protocol, download the DMX Primer from www.chauvetdj.com.

To select the starting address, do the following:

1. Press **<MENU>**.
2. Use **<UP>** or **<DOWN>** to select **Address**.
3. Press **<ENTER>**.
4. Use **<UP>** or **<DOWN>** to select the starting address, from **001–512**.
5. Press **<ENTER>**.

DMX Personalities

The Intimidator Spot 360X IP has two DMX personalities, a 14-channel personality, and a 08-channel personality.

To choose which DMX personality to use, follow the steps below:

1. Press **<MENU>**.
2. Use **<UP>** or **<DOWN>** to select **Run Mode**.
3. Press **<ENTER>**.
4. Use **<UP>** or **<DOWN>** to select **DMX**.
5. Press **<ENTER>**.
6. Use **<UP>** or **<DOWN>** to select the DMX personality, from **14CH** or **08CH**.
7. Press **<ENTER>**.

DMX Channel Assignments and Values

08CH/14CH

| 08CH | 14CH | Function | Value | Percent/Setting |
|-----------|---|---|-----------|--|
| 1 | 1 | Pan | 000 ⇄ 255 | 0–540° |
| – | 2 | Pan fine | 000 ⇄ 255 | Fine control of panning |
| 2 | 3 | Tilt | 000 ⇄ 255 | 0–270° |
| – | 4 | Tilt fine | 000 ⇄ 255 | Fine control of tilting |
| – | 5 | Pan/tilt speed | 000 ⇄ 255 | Pan/Tilt speed, fast to slow |
| 3 | 6 | Color wheel | 000 ⇄ 006 | White |
| | | | 007 ⇄ 013 | Red |
| | | | 014 ⇄ 020 | Orange |
| | | | 021 ⇄ 027 | Yellow |
| | | | 028 ⇄ 034 | Green |
| | | | 035 ⇄ 041 | Blue |
| | | | 042 ⇄ 048 | CTO |
| | | | 049 ⇄ 055 | Cyan |
| | | | 056 ⇄ 062 | Magenta |
| | | | 063 ⇄ 064 | White |
| | | | 065 ⇄ 189 | Color indexing |
| | | | 190 ⇄ 221 | Color cycling rainbow, fast to slow |
| | | | 222 ⇄ 223 | Stop |
| 224 ⇄ 255 | Reverse color cycling rainbow, slow to fast | | | |
| 4 | 7 | Gobo wheel (see Gobos) | 000 ⇄ 007 | Open |
| | | | 008 ⇄ 015 | Gobo 1 |
| | | | 016 ⇄ 023 | Gobo 2 |
| | | | 024 ⇄ 031 | Gobo 3 |
| | | | 032 ⇄ 039 | Gobo 4 |
| | | | 040 ⇄ 047 | Gobo 5 |
| | | | 048 ⇄ 055 | Gobo 6 |
| | | | 056 ⇄ 063 | Gobo 7 |
| | | | 064 ⇄ 071 | Gobo 7 shake, slow to fast |
| | | | 072 ⇄ 079 | Gobo 6 shake, slow to fast |
| | | | 080 ⇄ 087 | Gobo 5 shake, slow to fast |
| | | | 088 ⇄ 095 | Gobo 4 shake, slow to fast |
| | | | 096 ⇄ 103 | Gobo 3 shake, slow to fast |
| | | | 104 ⇄ 111 | Gobo 2 shake, slow to fast |
| | | | 112 ⇄ 119 | Gobo 1 shake, slow to fast |
| | | | 120 ⇄ 127 | Open |
| | | | 128 ⇄ 189 | Cycle effect, slow to fast |
| | | | 190 ⇄ 193 | Stop |
| | | | 194 ⇄ 255 | Reverse cycle effect, slow to fast |
| 5 | 8 | Gobo rotation | 000 ⇄ 063 | Gobo indexing |
| | | | 064 ⇄ 145 | Gobo rotation, slow to fast |
| | | | 146 ⇄ 149 | Stop |
| | | | 150 ⇄ 231 | Reverse gobo rotation, slow to fast |
| | | | 232 ⇄ 255 | Gobo bounce, short to long, slow to fast |
| 6 | 9 | Prism | 000 ⇄ 003 | No function |
| | | | 004 ⇄ 006 | 3-facet prism |
| | | | 007 ⇄ 065 | Prism rotation, slow to fast |
| | | | 066 ⇄ 123 | Reverse prism rotation, slow to fast |
| | | | 124 ⇄ 127 | 3-facet prism |
| | | | 128 ⇄ 131 | No function |

| 08CH | 14CH | Function | Value | Percent/Setting |
|--------------|-------------------------------|------------------|-----------|--|
| 6 (cont.) | 9 (cont.) | Prism (cont.) | 132 ⇔ 134 | 5-facet prism |
| | | | 135 ⇔ 193 | Prism rotation, slow to fast |
| | | | 194 ⇔ 251 | Reverse prism rotation, slow to fast |
| | | | 252 ⇔ 255 | 5-facet prism |
| 7 | 10 | Focus | 000 ⇔ 255 | Focus |
| – | 11 | Dimmer | 000 ⇔ 255 | 0–100% |
| 8 | 12 | Strobe | 000 ⇔ 003 | Off |
| | | | 004 ⇔ 007 | On |
| | | | 008 ⇔ 076 | Strobe, slow to fast |
| | | | 077 ⇔ 145 | Pulse strobe, slow to fast |
| | | | 146 ⇔ 215 | Random strobe, slow to fast |
| | | | 216 ⇔ 255 | On |
| – | 13 | Function | 000 ⇔ 007 | No function |
| | | | 008 ⇔ 015 | Blackout on pan/tilt movement |
| | | | 016 ⇔ 023 | Blackout on color wheel movement |
| | | | 024 ⇔ 031 | Blackout on gobo wheel movement |
| | | | 032 ⇔ 039 | Blackout on pan/tilt/color wheel movement |
| | | | 040 ⇔ 047 | Blackout on pan/tilt/gobo wheel movement |
| | | | 048 ⇔ 055 | Blackout on pan/tilt/color wheel/gobo wheel movement |
| | | | 056 ⇔ 095 | No function |
| | | | 096 ⇔ 103 | Pan reset |
| | | | 104 ⇔ 111 | Tilt reset |
| | | | 112 ⇔ 119 | Color wheel reset |
| | | | 120 ⇔ 127 | Gobo wheel reset |
| | | | 128 ⇔ 135 | No function |
| | | | 136 ⇔ 143 | Prism reset |
| | | | 144 ⇔ 151 | Focus reset |
| 152 ⇔ 159 | All reset | | | |
| 160 ⇔ 255 | No function | | | |
| – | 14 | Movement macros | 000 ⇔ 007 | No function |
| | | | 008 ⇔ 023 | Movement macro 1 |
| | | | 024 ⇔ 039 | Movement macro 2 |
| | | | 040 ⇔ 055 | Movement macro 3 |
| | | | 056 ⇔ 071 | Movement macro 4 |
| | | | 072 ⇔ 087 | Movement macro 5 |
| | | | 088 ⇔ 103 | Movement macro 6 |
| | | | 104 ⇔ 119 | Movement macro 7 |
| | | | 120 ⇔ 135 | Movement macro 8 |
| | | | 136 ⇔ 151 | Sound-active movement macro 1 |
| | | | 152 ⇔ 167 | Sound-active movement macro 2 |
| | | | 168 ⇔ 183 | Sound-active movement macro 3 |
| | | | 184 ⇔ 199 | Sound-active movement macro 4 |
| | | | 200 ⇔ 215 | Sound-active movement macro 5 |
| | | | 216 ⇔ 231 | Sound-active movement macro 6 |
| | | | 232 ⇔ 247 | Sound-active movement macro 7 |
| 248 ⇔ 255 | Sound-active movement macro 8 | | | |

Configuration (Standalone)

Set the product in one of the standalone modes to control without a DMX controller.



Never connect a product that is operating in any standalone mode to a DMX string connected to a DMX controller. Products in standalone mode may transmit DMX signals that could interfere with the DMX signals from the controller.

Automatic Programs

To run the Intimidator Spot 360X IP in automatic mode, follow the instructions below:

1. Press **<MENU>**.
2. Use **<UP>** or **<DOWN>** to select **Run Mode**.
3. Press **<ENTER>**.
4. Use **<UP>** or **<DOWN>** to select **Auto**.
5. Press **<ENTER>**.

Sound-Active Mode

To run the Intimidator Spot 360X IP in sound-active mode, do the following:

1. Press **<MENU>**.
2. Use **<UP>** or **<DOWN>** to select **Run Mode**.
3. Press **<ENTER>**.
4. Use **<UP>** or **<DOWN>** to select **Sound**.
5. Press **<ENTER>**.

Sound Sensitivity

To set the sound sensitivity on the Intimidator Spot 360X IP, follow the instructions below:

1. Press **<MENU>**.
2. Use **<UP>** or **<DOWN>** to select **Setup**.
3. Press **<ENTER>**.
4. Use **<UP>** or **<DOWN>** to select **Sensitivity**.
5. Press **<ENTER>**.
6. Use **<UP>** or **<DOWN>** to increase or decrease the sound sensitivity, from **001–100**.
7. Press **<ENTER>**.



The product will only respond to low frequencies of music (bass and drums).

Manual Mode

To operate the Intimidator Spot 360X IP manually through the menu, do the following:

1. Press **<MENU>**.
2. Use **<UP>** or **<DOWN>** to select **Run Mode**.
3. Press **<ENTER>**.
4. Use **<UP>** or **<DOWN>** to select **Manual**.
5. Press **<ENTER>**.
6. Use **<UP>** or **<DOWN>** to select from **Pan, Tilt, Color, Gobo, Gobo Rotate, Prism, Focus, Dimmer, or Shutter**.
7. Press **<ENTER>**.
8. Use **<UP>** or **<DOWN>** to increase or decrease the value of the selected function, from **000–255**.
9. Press **<ENTER>**.
10. Repeat steps 6-9 until the product is set as desired.

Configuration (Settings)

Pan Reverse

To set the pan orientation on the Intimidator Spot 360X IP, follow the instructions below:

1. Press **<MENU>**.
2. Use **<UP>** or **<DOWN>** to select **Setup**.
3. Press **<ENTER>**.
4. Use **<UP>** or **<DOWN>** to select **Pan Reverse**.
5. Press **<ENTER>**.
6. Use **<UP>** or **<DOWN>** to select **OFF** (normal pan orientation) or **ON** (reverse pan orientation).
7. Press **<ENTER>**.

Operation

Tilt Reverse

To set the tilt orientation on the Intimidator Spot 360X IP, do the following:

1. Press **<MENU>**.
2. Use **<UP>** or **<DOWN>** to select **Setup**.
3. Press **<ENTER>**.
4. Use **<UP>** or **<DOWN>** to select **Tilt Reverse**.
5. Press **<ENTER>**.
6. Use **<UP>** or **<DOWN>** to select **OFF** (normal tilt orientation) or **ON** (reverse tilt orientation).
7. Press **<ENTER>**.

Screen Reverse

To set the display orientation on the Intimidator Spot 360X IP, follow the instructions below:

1. Press **<MENU>**.
2. Use **<UP>** or **<DOWN>** to select **Setup**.
3. Press **<ENTER>**.
4. Use **<UP>** or **<DOWN>** to select **Screen Reverse**.
5. Press **<ENTER>**.
6. Use **<UP>** or **<DOWN>** to select **AUTO**, **NO** (normal display orientation) or **YES** (reverse display orientation).
7. Press **<ENTER>**.

Pan Angle

To set the pan angle range on the Intimidator Spot 360X IP, do the following:

1. Press **<MENU>**.
2. Use **<UP>** or **<DOWN>** to select **Setup**.
3. Press **<ENTER>**.
4. Use **<UP>** or **<DOWN>** to select **Pan Angle**.
5. Press **<ENTER>**.
6. Use **<UP>** or **<DOWN>** to select from **540** (540°), **360** (360°), or **180** (180°).
7. Press **<ENTER>**.

Tilt Angle

To set the tilt angle range on the Intimidator Spot 360X IP, follow the instructions below:

1. Press **<MENU>**.
2. Use **<UP>** or **<DOWN>** to select **Setup**.
3. Press **<ENTER>**.
4. Use **<UP>** or **<DOWN>** to select **Tilt Angle**.
5. Press **<ENTER>**.
6. Use **<UP>** or **<DOWN>** to select from **260** (260°), **180** (180°), or **90** (90°).
7. Press **<ENTER>**.

Totem Mode

To activate the Totem mode, do the following:

1. Press **<MENU>**.
2. Use **<UP>** or **<DOWN>** to select **Setup**.
3. Press **<ENTER>**.
4. Use **<UP>** or **<DOWN>** to select **Totem Mode**.
5. Press **<ENTER>**.
6. Use **<UP>** or **<DOWN>** to select **OFF** (normal range of motion), **UP** (upward tilt range), or **DOWN** (downward tilt range).
7. Press **<ENTER>**.

USB Update

To enable or disable the USB update function, follow the instructions below:

1. Press **<MENU>**.
2. Use **<UP>** or **<DOWN>** to select **Setup**.
3. Press **<ENTER>**.
4. Use **<UP>** or **<DOWN>** to select **USB Update**.
5. Press **<ENTER>**.
6. Use **<UP>** or **<DOWN>** to select **NO** (disabled) or **YES** (enabled).
7. Press **<ENTER>**.

RF Bind

To view the RF Bind on the Intimidator Spot 360X IP, do the following:

1. Press **<MENU>**.
2. Use **<UP>** or **<DOWN>** to select **Setup**.
3. Press **<ENTER>**.
4. Use **<UP>** or **<DOWN>** to select **RF BIND**.
5. Press **<ENTER>**.
6. Follow the prompt on the screen.

Reset

To reset all functions on the Intimidator Spot 360X IP, do the following:

1. Press **<MENU>**.
2. Use **<UP>** or **<DOWN>** to select **Setup**.
3. Press **<ENTER>**.
4. Use **<UP>** or **<DOWN>** to select **Reset**.
5. Press **<ENTER>**.

Factory Reset

To restore the Intimidator Spot 360X IP to factory default settings, follow the instructions below:

1. Press **<MENU>**.
2. Use **<UP>** or **<DOWN>** to select **Setup**.
3. Press **<ENTER>**.
4. Use **<UP>** or **<DOWN>** to select **Factory Set**.
5. Press **<ENTER>**.

System Information

To view the system information on the Intimidator Spot 360X IP, do the following:

1. Press **<MENU>**.
2. Use **<UP>** or **<DOWN>** to select **Sys Info**.
3. Press **<ENTER>**.

Master/Slave Mode

The Master/Slave mode allows a single Intimidator Spot 360X IP product (the “master”) to control the actions of one or more Intimidator Spot 360X IP products (the “slaves”) without the need of a DMX controller. The master product will be set to operate in standalone mode, while the slave products will be set to operate in slave mode. Once set and connected, the slave products will operate in unison with the master product.

Configure the products as indicated below.

Slave products:

1. Press **<MENU>**.
2. Use **<UP>** or **<DOWN>** to select **Run Mode**.
3. Press **<ENTER>**.
4. Use **<UP>** or **<DOWN>** to select **Slave**.
5. Press **<ENTER>**.
6. Use **<UP>** or **<DOWN>** to select from **Slave1**, **Slave2**, **Slave3**, or **Slave4**.
 - Select **Slave1** for 100% synchronized actions.
 - Select **Slave2**, **Slave3**, and/or **Slave4** for delayed actions, creating a wave effect.
7. Press **<ENTER>**.
8. Connect the DMX input of the first slave product to the DMX output of the master product.
9. Connect the DMX input of the subsequent slave products to the DMX output of the previous slave product.
10. Finish setting and connecting all the slave products.

Master product:

1. Set the master product to operate in standalone mode.
2. Make the master product the first product in the DMX daisy chain.



- **Configure all the slave products before connecting the master to the daisy chain.**
- **Never connect a DMX controller to a DMX string configured for Master/Slave operation because the controller may interfere with the signals from the master.**
- **Do not connect more than 31 slaves to the master.**

Operation

Zero Adjust Mode

The Intimidator Spot 360X IP contains a passcode protected mode which allows the user to calibrate and adjust several of the product's operating parameters.

In order to access this mode, do the following:

1. Press and hold **<MENU>** for at least 3 seconds.
2. Use **<UP>** (increases the selected value) and **<DOWN>** (selects the next value) to enter the passcode: **2323**.
3. Press **<ENTER>**.

In this mode, the zero positions and levels for the following can be adjusted:

| Parameter | Function |
|--------------------|------------------------|
| PAN | Pan motor position |
| TILT | Tilt motor position |
| COLOR | Color wheel position |
| GOBO | Gobo wheel position |
| GOBO ROTATE | Gobo rotation position |
| PRISM | 3-facet prism position |
| PRISM1 | 5-facet prism position |
| FOCUS | Focus position |
| DIMMER | Dimmer value |
| RED | Red level |
| GREEN | Green level |
| BLUE | Blue level |

To adjust the zero position or level of one of these parameters, follow the instructions below:

1. Access the Zero Adjust mode.
2. Use **<UP>** or **<DOWN>** to select the parameter to be adjusted.
3. Press **<ENTER>**.
4. Use **<UP>** or **<DOWN>** to increase or decrease the selected value, from **000–255**.
5. Press **<ENTER>**.

5. Maintenance

Product Maintenance

Dust build-up reduces light output performance and can cause overheating. This can lead to reduction of the light source's life and/or mechanical wear. To maintain optimum performance and minimize wear, clean the lighting products at least twice a month. However, be aware that usage and environmental conditions could be contributing factors to increase the cleaning frequency.

To clean the product, follow the instructions below:

1. Unplug the product from power.
2. Wait until the product is at room temperature.
3. Use a vacuum (or dry compressed air) and a soft brush to remove dust collected on the external surface/vents.
4. Clean all transparent surfaces with a mild soap solution, ammonia-free glass cleaner, or isopropyl alcohol.
5. Apply the solution directly to a soft, lint free cotton cloth or a lens cleaning tissue.
6. Softly drag any dirt or grime to the outside of the transparent surface.
7. Gently polish the transparent surfaces until they are free of haze and lint.



Always dry the transparent surfaces carefully after cleaning them.



Do not spin the cooling fans using compressed air because it they could be damaged.

6. Technical Specifications

Dimensions and Weight

| Length | Width | Height | Weight |
|------------------|-----------------|------------------|-----------------|
| 11.8 in (299 mm) | 8.5 in (217 mm) | 15.9 in (406 mm) | 23 lb (10.4 kg) |

Note: Dimensions in inches are rounded.

Power

| Power Supply Type | Range | Voltage Selection |
|----------------------|--------------------------|-------------------|
| Switching (internal) | 100 to 240 VAC, 50/60 Hz | Auto-ranging |

| Parameter | 120 V, 60 Hz | 230 V, 50 Hz |
|----------------------------------|---------------------|---------------------|
| Consumption | 190 W | 185 W |
| Operating Current | 2.4 A | 1.4 A |
| Power linking current (products) | 2.37 A (5 products) | 2.37 A (9 products) |
| Fuse | F 5 A, 250 V | F 5 A, 250 V |

| Power I/O | U.S./Worldwide | UK/Europe |
|------------------------|---------------------------|---------------------------|
| Power input connector | Seetronic IP65-compatible | Seetronic IP65-compatible |
| Power output connector | Seetronic IP65-compatible | Seetronic IP65-compatible |
| Power Cord plug | Edison (U.S.) | Local Plug |

Light Source

| Type | Color | Quantity | Power | Current | Lifespan |
|------|------------|----------|-------|---------|--------------|
| LED | Cool white | 1 | 100 W | 4.3 A | 50,000 hours |

Photometrics

| Strobe Rate | Beam Angle | Illuminance @ 2 m | Illuminance @ 5 m |
|-------------|------------|-------------------|-------------------|
| 0 to 20 Hz | 19° | 23,978 lux | 3,836 lux |

Thermal

| Maximum External Temperature | Cooling System |
|------------------------------|-------------------------|
| 113 °F (22 °C) | Fan-assisted convection |

DMX

| I/O Connector | Channel Range |
|---------------|---------------|
| 3-pin XLR | 08 or 14 |

Ordering

| Product Name | Item Code | UPC Number |
|--------------------------|-----------|--------------|
| Intimidator Spot 360X IP | 08011988 | 781462223366 |



RoHS



Contact Us

| General Information | Technical Support |
|--|--|
| Chauvet World Headquarters | |
| Address: 3360 Davie Rd. Davie, FL 33314 Voice: (954) 577-4455 Fax: (954) 929-5560 Toll Free: (800) 762-1084 | Voice: (844) 393-7575 Fax: (954) 756-8015 Email: chauvetcs@chauvetlighting.com Website: www.chauvetdj.com |
| Chauvet U.K. | |
| Address: Unit 1C Brookhill Road Industrial Estate Pinxton, Nottingham, UK NG16 6NT Voice: +44 (0) 1773 511115 Fax: +44 (0) 1773 511110 | Email: UKtech@chauvetlighting.eu Website: www.chauvetdj.eu |
| Chauvet Benelux | |
| Address: Stokstraat 18 9770 Kruishoutem Belgium Voice: +32 9 388 93 97 | Email: BNLtech@chauvetlighting.eu Website: www.chauvetdj.eu |
| Chauvet France | |
| Address: 3, Rue Ampère 91380 Chilly-Mazarin France Voice: +33 1 78 85 33 59 | Email: FRtech@chauvetlighting.fr Website: www.chauvetdj.eu |
| Chauvet Germany | |
| Address: Bruno-Bürgel-Str. 11 28759 Bremen Germany Voice: +49 421 62 60 20 | Email: DEtech@chauvetlighting.de Website: www.chauvetdj.eu |
| Chauvet Mexico | |
| Address: Av. de las Partidas 34 - 3B (Entrance by Calle 2) Zona Industrial Lerma Lerma, Edo. de México, CP 52000 Voice: +52 (728) 690-2010 | Email: servicio@chauvet.com.mx Website: www.chauvetdj.mx |

Warranty & Returns

For warranty terms and conditions and return information, please visit our website.

For Customers in the United States and Mexico: www.chauvetlighting.com/warranty-registration.

For Customers in the United Kingdom, Republic of Ireland, Belgium, the Netherlands, Luxembourg, France, and Germany: www.chauvetlighting.eu/warranty-registration.