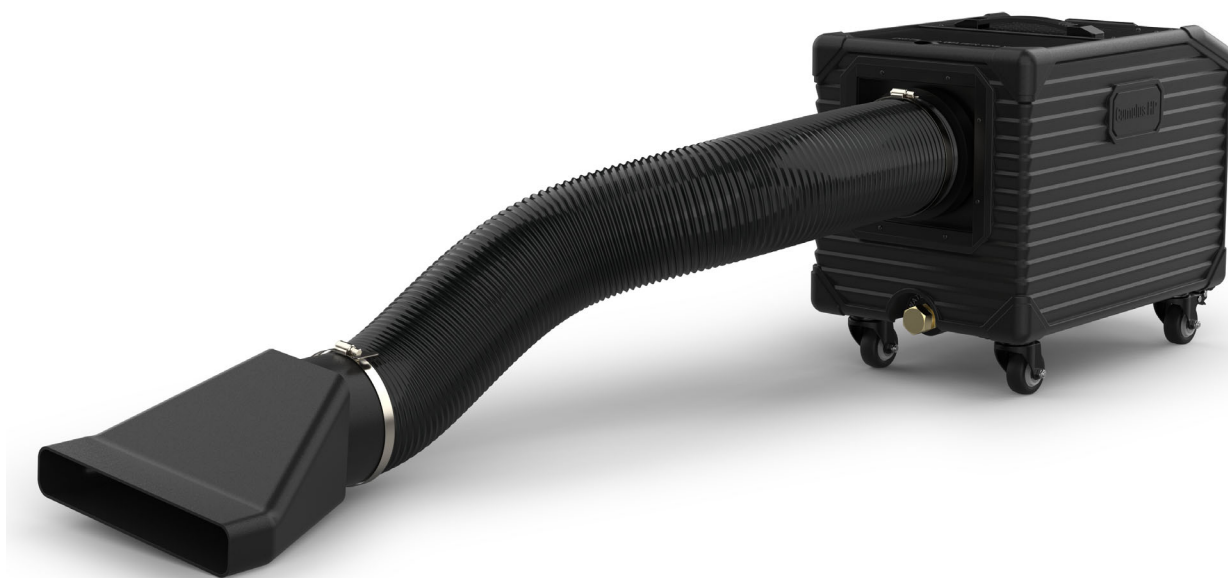


# Cumulus HP

User Manual



  
**CHAUVET** 

## Edition Notes

The Cumulus HP User Manual includes a description, safety precautions, installation, programming, operation, and maintenance instructions for the Cumulus HP as of the release date of this edition.

### Trademarks

Chauvet, Chauvet DJ, the Chauvet logo, and Cumulus HP are registered trademarks or trademarks of Chauvet & Sons, LLC (d/b/a Chauvet and Chauvet Lighting) in the United States and other countries. Other company and product names and logos referred to herein may be trademarks of their respective companies.

### Copyright Notice

The works of authorship contained in this manual, including, but not limited to, all designs, text, and images are owned by Chauvet.

© **Copyright 2025 Chauvet & Sons, LLC. All rights reserved.**

Electronically published by Chauvet in the United States of America.

### Manual Use

Chauvet authorizes its customers to download and print this manual for professional information purposes only. Chauvet expressly prohibits the usage, copy, storage, distribution, modification, or printing of this manual or its content for any other purpose without written consent from Chauvet.

### Document Printing

For best results, print this document in color, on letter size paper (8.5 x 11 in), double-sided. If using A4 paper (210 x 297 mm), configure the printer to scale the content accordingly.

### Intended Audience

Any person installing, operating, and/or maintaining this product should completely read through the guide that shipped with the product, as well as this manual, before installing, operating, or maintaining this product.

### Disclaimer

Chauvet believes that the information contained in this manual is accurate in all respects. However, Chauvet assumes no responsibility and specifically disclaims any and all liability to any party for any loss, damage, or disruption caused by any errors or omissions in this document, whether such errors or omissions result from negligence, accident, or any other cause. Chauvet reserves the right to revise the content of this document without any obligation to notify any person or company of such revision; however, Chauvet has no obligation to make, and does not commit to make, any such revisions.

### Document Revision

Go to [www.chauvetdj.com](http://www.chauvetdj.com) for the latest version.

Revision	Date	Description
4	8/2025	Updated all product images, updated wireless remote instructions.

**TABLE OF CONTENTS**

<b>1. Before You Begin .....</b>	<b>1</b>
What Is Included .....	1
Unpacking Instructions.....	1
Claims .....	1
Text Conventions .....	1
Symbols .....	1
Safety Notes.....	2
RF Exposure Warning for North America and Australia.....	2
<b>2. Introduction .....</b>	<b>3</b>
Product Overview.....	3
Product Dimensions .....	4
<b>3. Setup .....</b>	<b>5</b>
AC Power .....	5
Mounting .....	5
Orientation.....	5
Filling the Fog Fluid Tank.....	6
Filling the Water Reservoir.....	6
Water Inlet.....	6
Manual Filling .....	7
Installing the Hose and Floor Nozzle .....	8
<b>4. Operation .....</b>	<b>10</b>
Control Panel Operation.....	10
Menu Map .....	10
DMX Configuration.....	10
Starting Address.....	10
DMX Channel Assignments and Values .....	10
Standalone Configuration.....	11
Timer Mode .....	11
Interval Setting.....	11
Duration Setting.....	11
Timer Output.....	11
Manual Mode .....	11
Volume Output.....	11
Wireless Remote Configuration .....	11
Settings Configuration.....	12
Fan Speed.....	12
No Water Warning.....	12
Automatic Water Pump .....	12
Master/Slave Mode .....	12
<b>5. Maintenance.....</b>	<b>13</b>
Fog Machine Maintenance.....	13
Storage.....	13
<b>6. Technical Specifications .....</b>	<b>14</b>
<b>Contact Us .....</b>	<b>15</b>
Warranty & Returns.....	15

# 1. Before You Begin

## What Is Included

- Cumulus HP
- External distilled water hose
- Output hose
- Hose coupler
- 2 hose clamps
- Floor nozzle
- Wireless remote
- Power cable
- A27 (alkaline) transmitter battery
- Quick Reference Guide

## Unpacking Instructions

Carefully unpack the product immediately and check the container to make sure all the parts are in the package and are in good condition.

## Claims





If the box or the contents (the product and included accessories) appear damaged from shipping, or show signs of mishandling, notify the carrier immediately, not Chauvet. Failure to report damage to the carrier immediately may invalidate a claim. In addition, keep the box and contents for inspection.

For other issues, such as missing components or parts, damage not related to shipping, or concealed damage, file a claim with Chauvet within 7 days of delivery.

## Text Conventions

Convention	Meaning
<b>1–512</b>	A range of values
<b>50/60</b>	A set of values of which only one can be chosen
<b>Settings</b>	A menu option not to be modified
<b>&lt;ENTER&gt;</b>	A key to be pressed on the product’s control panel
<b>ON</b>	A value to be entered or selected

## Symbols

Symbol	Meaning
	Electrical warning. Not following these instructions may cause electrical damage to the product, accessories, or the user.
	Critical installation, configuration, or operation information. Not following these instructions may make the product not work, cause damage to the product, or cause harm to the operator.
	Important installation or configuration information. The product may not function correctly if this information is not used.
	Useful information.

### Safety Notes

These Safety Notes include important information about installation, use, and maintenance of the Cumulus HP.



- **ALWAYS:**
  - ◆ Connect to a grounded circuit.
  - ◆ Connect to operating voltages as specified on the product's spec sticker.
  - ◆ Disconnect from power before cleaning.
  - ◆ Disconnect from its power source during periods of inactivity.
  - ◆ Heed all restrictions and warnings on the spec sticker.
  - ◆ Mount in a location with at least 20 in (50 cm) of ventilation.
  - ◆ Use Chauvet fluids.
  - ◆ Drain the tank before transporting or storing the product.
  - ◆ Keep the machine level.
  - ◆ Clean the machine after every use.
  - ◆ Clean around the product during and after use, as surfaces may become slippery.
  - ◆ Close the valve prior to filling with fluids.
- In the event of a serious operating problem, stop using immediately.
- All fog/haze machines may set off smoke detectors.
- **DO NOT:**
  - ◆ Open this product or attempt any repairs. It contains no user-serviceable parts.
  - ◆ Use if the power cable is crimped or damaged.
  - ◆ Disconnect by pulling on the power cable.
  - ◆ Allow flammable materials close to the product when it is operating.
  - ◆ Touch the housing when it is on.
  - ◆ Block any ventilation holes/slots in the housing.
  - ◆ Connect to a dimmer or rheostat.
  - ◆ Carry the product by its power cable.
  - ◆ Operate in temperatures higher than 104°F (40°C).
  - ◆ Expose to environments that exceed the Ingress Protection (IP) rating.
  - ◆ Expose to rain or moisture.
  - ◆ Use outdoors.
  - ◆ Submerge.
  - ◆ Set this product on a flammable surface.
  - ◆ Touch the output nozzle. It may be hot for several hours after use.
  - ◆ Drink the fluid.
  - ◆ Add perfume, alcohol, gasoline or any other chemical to the fluid.
  - ◆ Use for space-heating purposes.
  - ◆ Overfill.



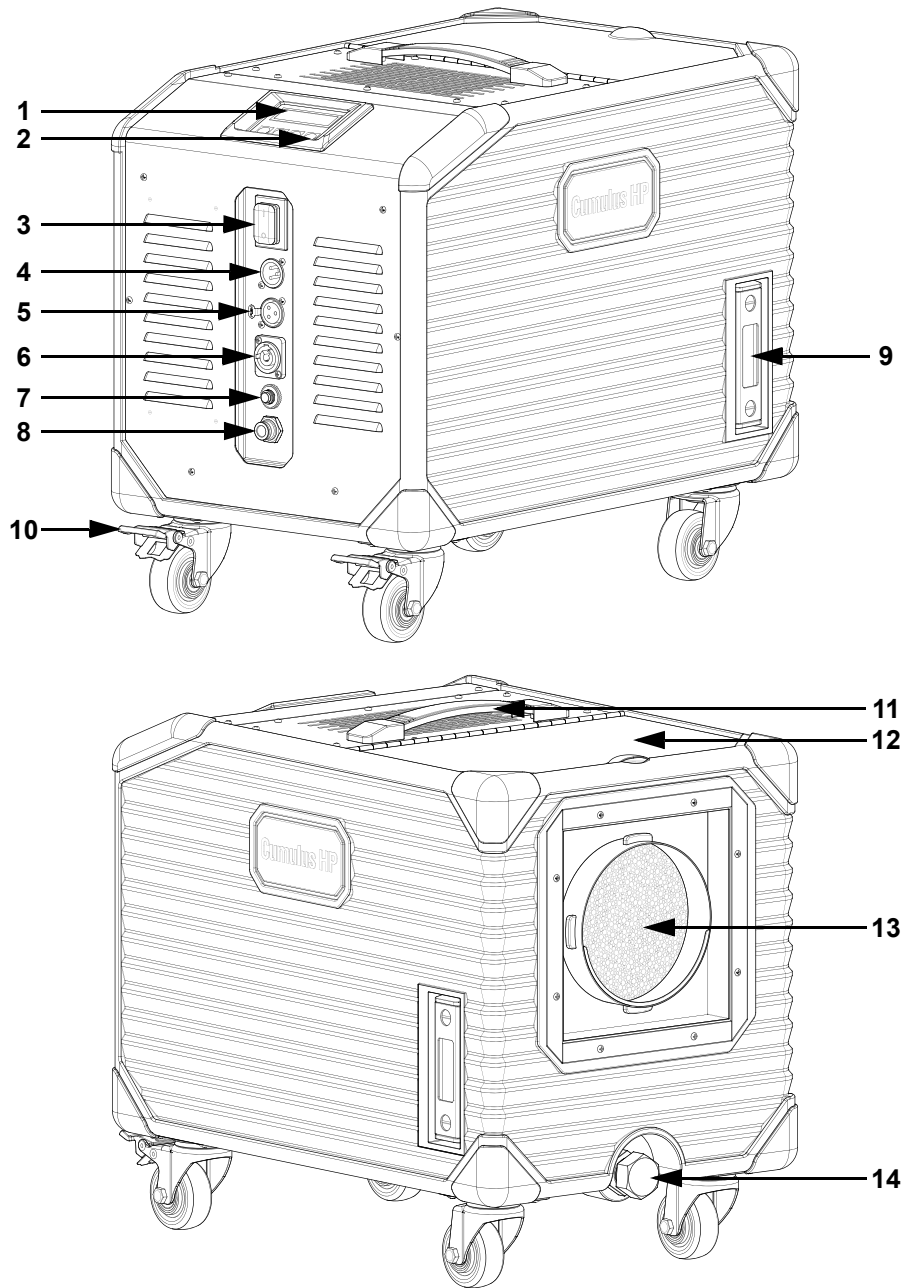
**Keep this User Manual for future use. If the product is sold to someone else, be sure that they also receive this document.**

### RF Exposure Warning for North America and Australia

**Warning!** This equipment complies with FCC radiation exposure limits set forth for an uncontrolled environment. This equipment should be installed and operated with a minimum distance of 20 cm between the radiator and the user. This transmitter must not be co-located or operating in conjunction with any other antenna or transmitter.

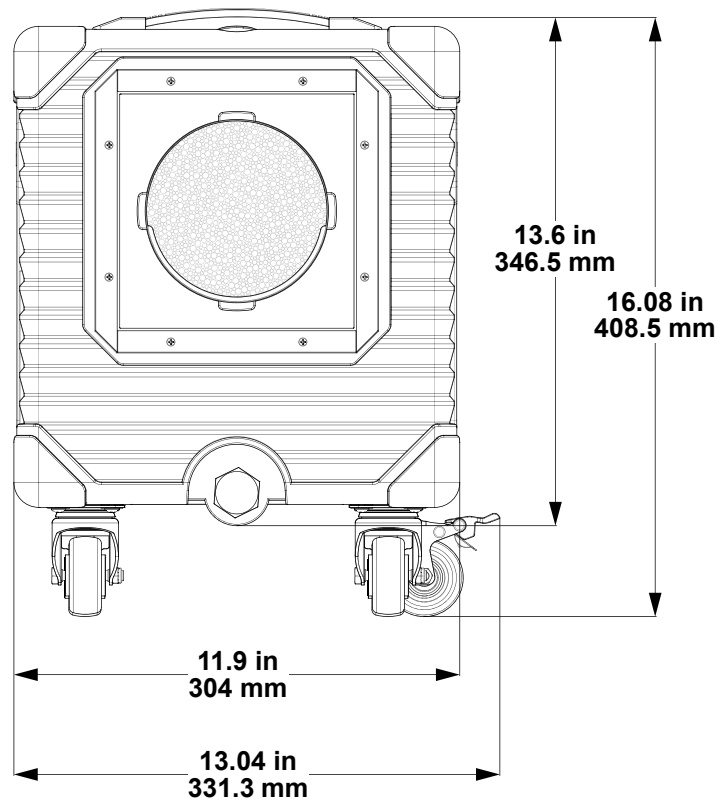
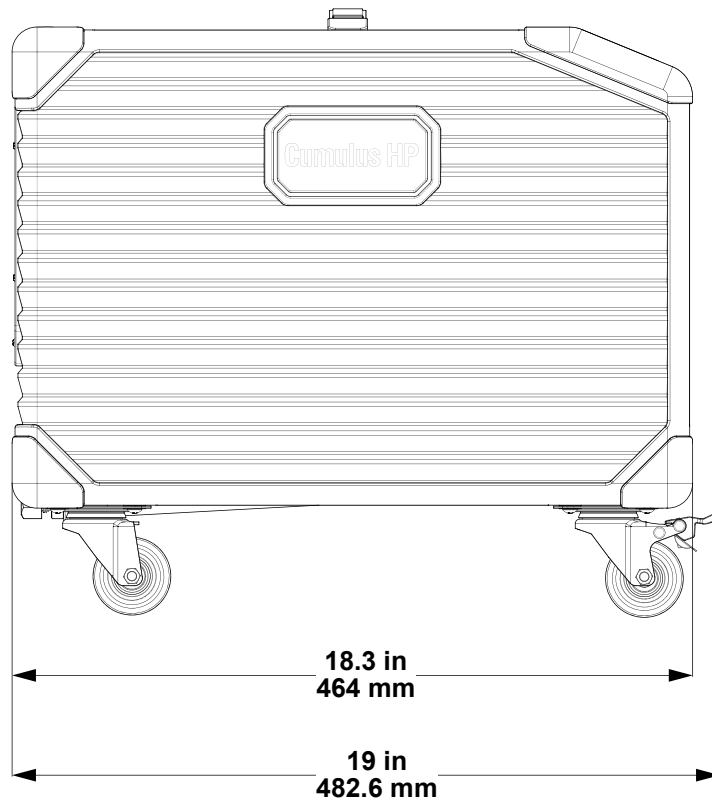
## 2. Introduction

### Product Overview



#	Name	#	Name
1	LCD Display	8	Water inlet
2	Menu buttons	9	Water level indicator
3	Power switch	10	Castor wheel brake (x2)
4	DMX in	11	Carry handle
5	DMX out	12	Fluid refill cover
6	Power in	13	Output nozzle
7	Breaker	14	Drain valve

Product Dimensions



## 3. Setup

### AC Power

The Cumulus HP has a fixed voltage power supply, and it can work with an input voltage range of either 120 VAC, 60 Hz or 230 VAC, 50 Hz, depending on the specific model.

To determine the product's power requirements (circuit breaker, power outlet, and wiring), use the current value listed on the label affixed to the product's back panel, or refer to the product's specifications chart.

The listed current rating indicates the product's average current draw under normal conditions.



- **Always connect the product to a protected circuit (a circuit breaker or fuse). Make sure the product has an appropriate electrical ground to avoid the risk of electrocution or fire.**
- **To eliminate unnecessary wear and improve its lifespan, during periods of non-use completely disconnect the product from power via breaker or by unplugging it.**



**Never connect the product to a rheostat (variable resistor) or dimmer circuit, even if the rheostat or dimmer channel serves only as a 0 to 100% switch.**

### Mounting

Before mounting the product, read and follow the safety recommendations indicated in the [Safety Notes](#).

### Orientation

The Cumulus HP must be mounted on a flat, level, and stable surface.

- Before deciding on a location for the product, always make sure there is easy access to the product for maintenance and programming.
- Make sure that the structure can support the weight before positioning the product (see the [Technical Specifications](#)).
- When mounting the product on the floor, make sure that the product and cables are away from people and vehicles.



**This product may NOT be tilted. This product should be level when on a surface.**

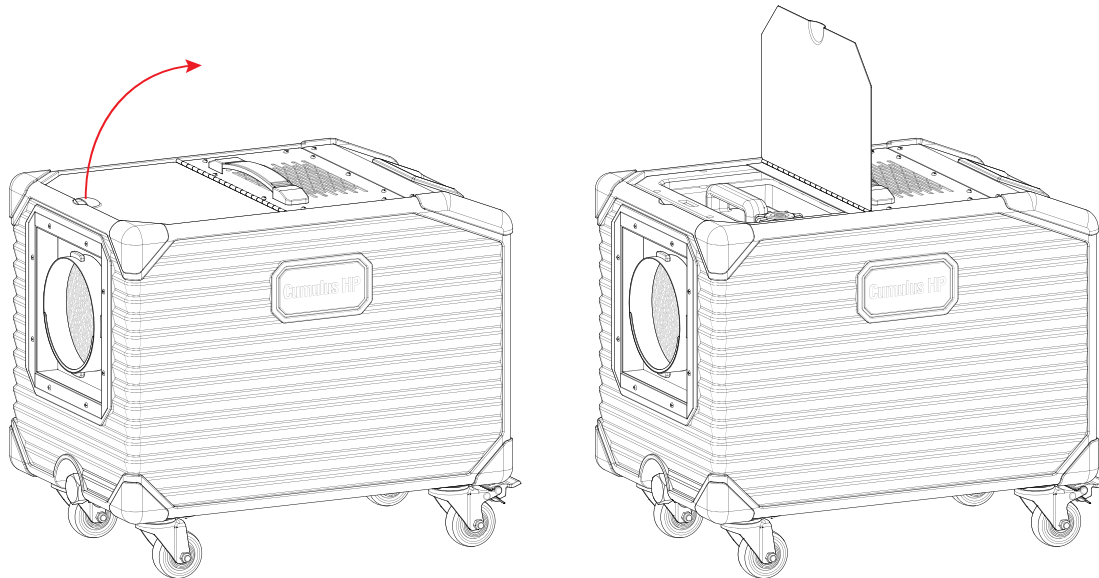


**While operating the Cumulus HP, make sure there is adequate fog fluid and water in the machine to prevent pump and heater damage. When the fog fluid level or water level becomes low, simply add more fog fluid or water to continue using the Cumulus HP.**

## Filling the Fog Fluid Tank

The Cumulus HP fog fluid tank must be filled with LLG (Low Lying Gallon) fluid from Chauvet DJ in order for the product to function. To access and fill the fog fluid tank:

1. Open the fluid refill cover.
2. Open the fog fluid tank.
3. Fill with LLG fluid from Chauvet DJ.
4. Close the fog fluid tank, ensuring the fog fluid hose is inside.
5. Close the fluid refill cover.



**While operating the Cumulus HP, make sure there is adequate LLG fluid in the machine to prevent pump and heater damage. When the fog fluid level becomes low, simply add more fog fluid to continue using the Cumulus HP.**

## Filling the Water Reservoir

The Cumulus HP water reservoir must be filled with distilled water in order for the product to function.

### Water Inlet

The Cumulus HP has a water inlet connection (see the [Product Overview](#)) that can connect to a distilled water source via the included external hose.



- **The diameter of any external hose must be 4.8 in (123 mm).**
- **The length of the external hose may be from 14–126 in (35–320 cm).**

To install the external hose:

1. Insert the external hose to the inlet connection.
2. Release the hose and inlet to seal the connection.

To remove the external hose:

1. Push the retaining ring of the inlet connection in.
2. Pull the hose out.



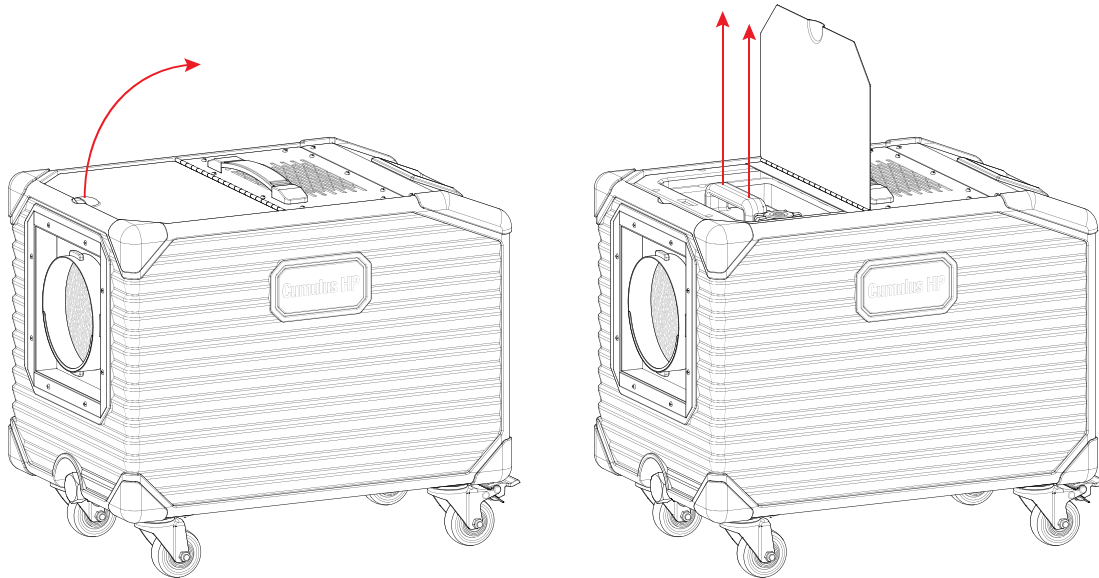
When using the water inlet, the Cumulus HP will automatically pump the correct amount of water into the reservoir whenever the water level is too low. This method is recommended to ensure the reservoir never runs dry.

- See [Automatic Water Pump](#) to turn on the automatic pump function.

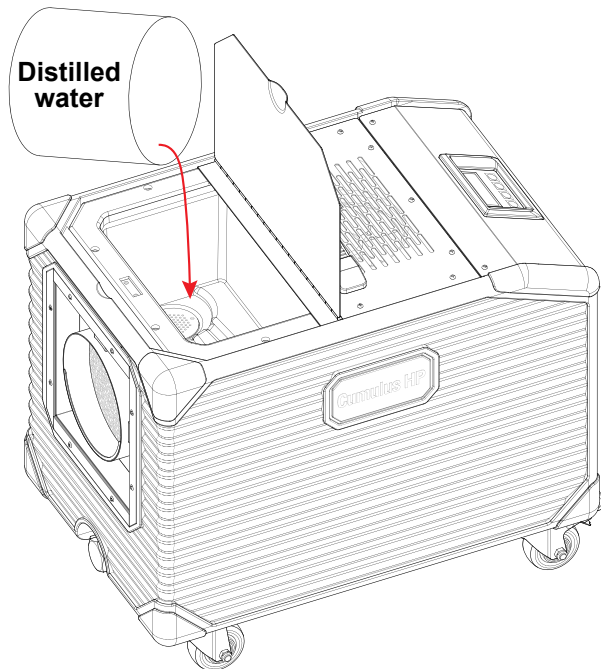
### Manual Filling

To access and manually fill the water reservoir:

1. Open the fluid refill cover.
2. Remove the fog fluid tank.



3. Pour in distilled water, up to 2 gallons.



4. Return the fog fluid tank to its place and close the fluid refill cover.



**Do NOT overfill.**

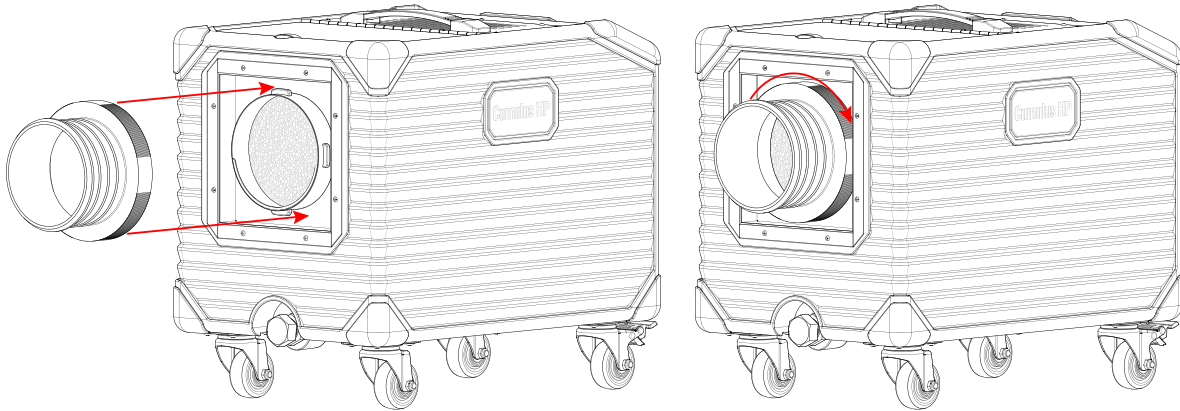


**While operating the Cumulus HP without the water inlet connection, make sure there is adequate distilled water in the machine to prevent pump damage. When the water level becomes low, simply add more water to continue using the Cumulus HP.**

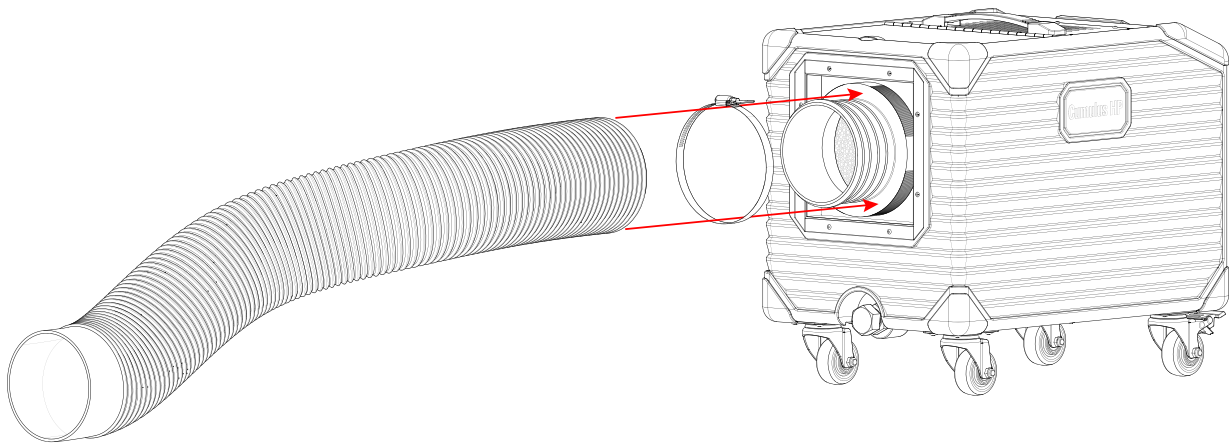
## Installing the Hose and Floor Nozzle

The included output hose and floor nozzle allow the low-lying fog output to be directed as desired at a short distance from the Cumulus HP. To install the hose and floor nozzle:

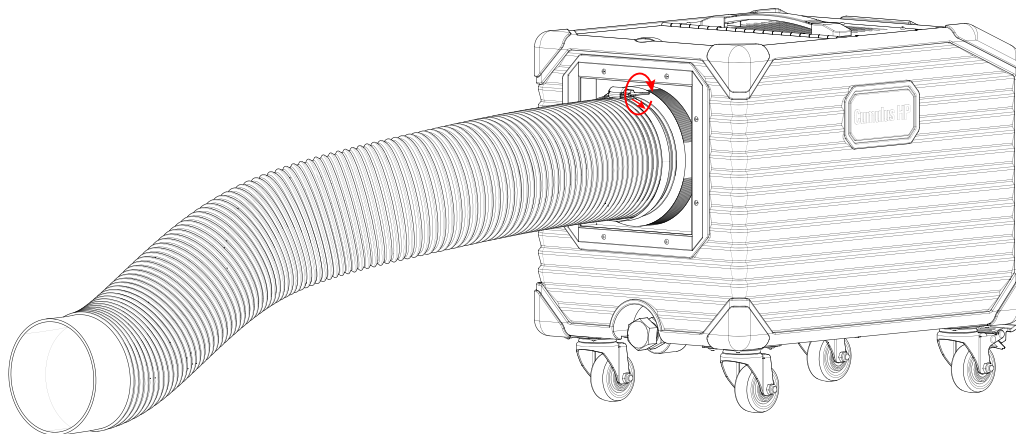
1. Place the hose coupler over the output nozzle and turn clockwise until secure.



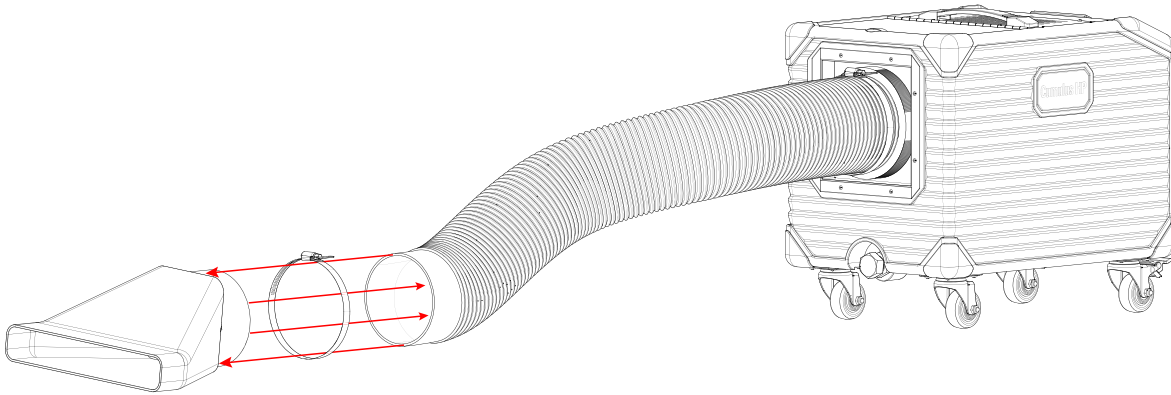
2. Put one end of the hose through one of the hose clamps and over the hose coupler.



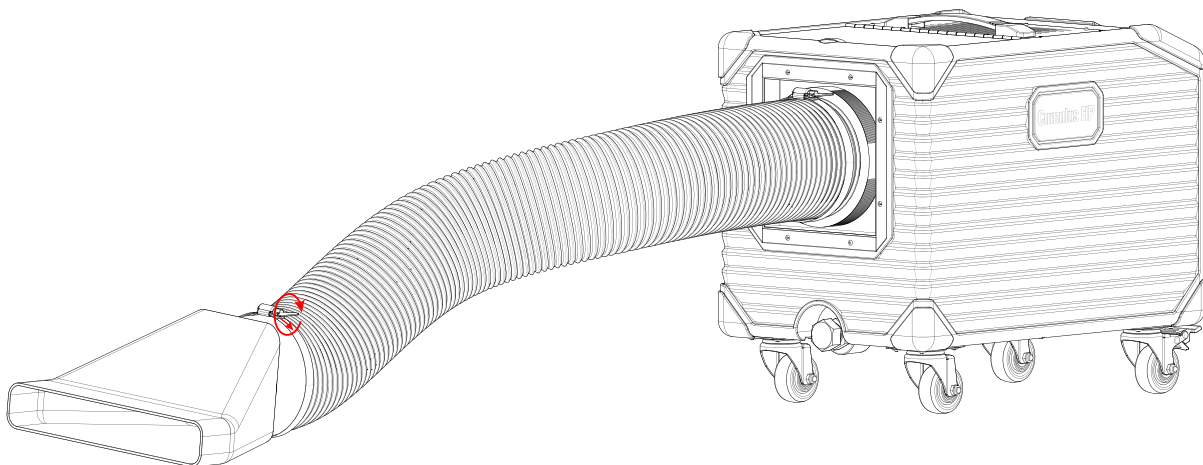
3. Ensuring the hose clamp is over both the hose and the hose coupler, turn the wingnut clockwise until the hose is secured to the coupler.



- Put the other end of the hose through the other hose clamp and over the round end of the floor nozzle.



- Ensuring the hose clamp is over both the hose and the floor nozzle, turn the wingnut clockwise until the hose is secured to the floor nozzle.



## 4. Operation

### Control Panel Operation

To access the control panel functions, use the four buttons located underneath the display. Please refer to the [Product Overview](#) to see the button locations on the control panel.

Button	Function
<MENU>	Press to enter the menu and cycle through menu options
<UP/TIMER>	When in the menu, press to select a higher value When on the main screen, press to activate timer mode
<DOWN/ VOLUME>	When in the menu, press to select a lower value When on the main screen, press to begin fog output (jumps to <b>Volume Out</b> in the menu)
<ENTER/ STOP>	Press to return to the main screen When the product is putting out fog or in timer mode, press to stop fog output

### Menu Map

Refer to the Cumulus HP product page on [www.chauvetdj.com](http://www.chauvetdj.com) for the latest menu map.

Main Menu	Programming Level	Description
Interval Set	5–600S	Sets the output interval in timer mode
Duration Set	5–600S	Sets the duration of fog output in timer mode
Timer Out	1–100%	Sets the output volume in timer mode
Volume Out	1–100%	Sets the output volume in manual mode
Fan Speed	1–100%	Sets the fan speed for fog output
No Water Tips	ON	Enables/disables “ <b>NO Water!</b> ” warning
	OFF	
DMX512 Address	1–512	Selects the DMX starting address
Wireless Set	ON	Enables/disables wireless remote
	OFF	
Direct Timer	NO	Disables/enables timer mode
	YES	
Auto Water	ON	Enables/disables automatic water pump from the water inlet
	OFF	

### DMX Configuration

The Cumulus HP works with a DMX controller. Information about DMX is in the Chauvet DMX Primer, which is available from the Chauvet website [chauvetlighting.com/downloads/DMX\\_Primer\\_rev05\\_WO.pdf](http://chauvetlighting.com/downloads/DMX_Primer_rev05_WO.pdf).

#### Starting Address

The Cumulus HP uses 2 DMX channels, which defines the highest recommended address to **511**.

When selecting a starting DMX address, always consider the number of DMX channels the DMX mode uses. If the starting address is set too high, access to some channels could be restricted.

For information about the DMX protocol, download the DMX Primer from [www.chauvetdj.com](http://www.chauvetdj.com).

To select the starting address, do the following:

1. Press <MENU> repeatedly until **DMX512 Address** shows on the display.
2. Use <UP/TIMER> or <DOWN/VOLUME> to select the starting address, from **1–512**.
3. Press <ENTER/STOP> to return to the main screen.

### DMX Channel Assignments and Values

Channel	Function	Value	Percent/Setting
1	Fan speed (when Ch. 2 is 011 ⇔ 255)	000 ⇔ 255	1–100%
2	Fog output	000 ⇔ 010	No function
		011 ⇔ 255	1–100%

## Standalone Configuration

Set the product in one of the standalone modes to operate without a DMX controller.



**Never connect a product that is operating in any standalone mode to a DMX string connected to a DMX controller. Products in standalone mode may transmit DMX signals that could interfere with the DMX signals from the controller.**

### Timer Mode

To disable or enable timer mode, do the following:

1. Press **<MENU>** repeatedly until **Direct Timer** shows on the display.
2. Use **<UP/TIMER>** or **<DOWN/VOLUME>** to select **NO** (disable) or **YES** (enable).
3. Press **<ENTER/STOP>** to return to the main screen.

To run the Cumulus HP in timer mode, follow the instructions below:

1. Press **<UP/TIMER>** from the main screen. The interval countdown will start.
2. To stop timer mode, press **<ENTER/STOP>**.

### Interval Setting

To set the amount of time between fog outputs for timer mode, do the following:

1. Press **<MENU>** repeatedly until **Interval Set** shows on the display.
2. Use **<UP/TIMER>** or **<DOWN/VOLUME>** to increase or decrease the interval length, from **5–600S** (seconds).
3. Press **<ENTER/STOP>** to return to the main screen.

### Duration Setting

To set the length of each fog output for timer mode, follow the instructions below:

1. Press **<MENU>** repeatedly until **Duration Set** shows on the display.
2. Use **<UP/TIMER>** or **<DOWN/VOLUME>** to increase or decrease the duration, from **5–600S** (seconds).
3. Press **<ENTER/STOP>** to return to the main screen.

### Timer Output

To set the fog output volume for the timer mode, do the following:

1. Press **<MENU>** repeatedly until **Timer Out** shows on the display.
2. Use **<UP/TIMER>** or **<DOWN/VOLUME>** to increase or decrease the volume, from **1–100%**.
3. Press **<ENTER/STOP>** to return to the main screen.

### Manual Mode

To run the Cumulus HP through the display menu, follow the instructions below:

1. Press **<DOWN/VOLUME>** from the main screen. The display will jump to **Volume Out**.
2. Use **<UP/TIMER>** or **<DOWN/VOLUME>** to increase or decrease the volume, from **1–100%**.
3. To stop output, press **<ENTER/STOP>**.

### Volume Output

To set the fog output volume for the manual mode, do the following:

1. Press **<MENU>** repeatedly until **Volume Out** shows on the display.
2. Use **<UP/TIMER>** or **<DOWN/VOLUME>** to increase or decrease the volume, from **1–100%**.
3. Press **<ENTER/STOP>** to return to the main screen.

### Wireless Remote Configuration

To pair the included wireless remote to the product, follow the instructions below:

1. Press **<MENU>** repeatedly until **Wireless Set** shows on the display.
2. Use **<UP/TIMER>** or **<DOWN/VOLUME>** to select **ON**.
3. Press **<ENTER/STOP>**.
4. Turn the product off and then back on with the power switch.
5. **Wireless Setup** will show on the display. Press and hold **<ON>** on the wireless remote.
6. The display will flash when the wireless remote has paired to the product.

To run the Cumulus HP with the wireless remote, do the following:

1. Press **<ON>** on the wireless remote.
2. To stop output, press **<OFF>** on the wireless remote.

## Settings Configuration

### Fan Speed

To set the fan speed for standalone output, do the following:

1. Press **<MENU>** repeatedly until **Fan Speed** shows on the display.
2. Use **<UP/TIMER>** or **<DOWN/VOLUME>** to increase or decrease the fan speed, from **1–100%**.
3. Press **<ENTER/STOP>** to return to the main screen.

### No Water Warning

To enable or disable the warning when no water is detected, follow the instructions below:

1. Press **<MENU>** repeatedly until **No Water Tips** shows on the display.
2. Use **<UP/TIMER>** or **<DOWN/VOLUME>** to select **ON** (enable) or **OFF** (disable).
3. Press **<ENTER/STOP>** to return to the main screen.



When the No Water warning is enabled and there is no water detected, the display will flash and the warning **“NO Water!”** will show on the display.

### Automatic Water Pump

To set the product to automatically pump water in through the water inlet, do the following:

1. Press **<MENU>** repeatedly until **Auto Water** shows on the display.
2. Use **<UP/TIMER>** or **<DOWN/VOLUME>** to select **ON** (enable) or **OFF** (disable).
3. Press **<ENTER/STOP>** to return to the main screen.

### Master/Slave Mode

The Master/Slave mode allows a single Cumulus HP product (the “master”) to control the actions of one or more Cumulus HP products (the “slaves”) without the need of a DMX controller. The master product will be set to operate in either a standalone mode or with the wireless remote, while the slave products will be set to operate in slave mode. Once set and connected, the slave products will operate in unison with the master product.

Configure the products as indicated below.

#### Slave products:

1. Press **<MENU>** repeatedly until **DMX512 Address** shows on the display.
2. Use **<UP>** or **<DOWN>** to set the starting address to **1**.
3. Press **<ENTER/STOP>**
4. Connect the DMX input of the first slave product to the DMX output of the master product.
5. Connect the DMX input of the subsequent slave products to the DMX output of the previous slave product.
6. Finish setting and connecting all the slave products.

#### Master product:

1. Make the master product the first product in the DMX daisy chain.
2. Set the master product to operate in a standalone mode or with the wireless remote.



- **Configure all the slave products before connecting the master to the daisy chain.**
- **Never connect a DMX controller to a DMX string configured for Master/Slave operation because the controller may interfere with the signals from the master.**
- **Do not connect more than 31 slaves to the master.**

## 5. Maintenance

### Fog Machine Maintenance

Do not allow the fog machine to become clogged. After every 40 hours of continuous operation, use Chauvet Fog Cleaner Quart (FCQ) through the system to prevent the accumulation of particulate matter in the heating element.

The recommended cleaning procedure is as follows.

1. Unplug the product from power.
2. Empty all fog fluid from the machine.
3. Add cleaning solution to the tank.
4. Connect the product to power and allow it to warm up.
5. Run the unit in a well-ventilated area until the tank is almost empty. Do not allow the pump to run dry.
6. Refill with fog fluid to continue using the fog machine. Run the machine briefly to clear any remaining cleaning solution from the pump and heater.



**Do Not operate the machine without fluid at any time.**



**Fog Cleaner Quart (FCQ) was specifically developed by Chauvet to clean the Cumulus HP. Use FCQ regularly, no longer than 90 days between cleanings, to increase the life of the product.**

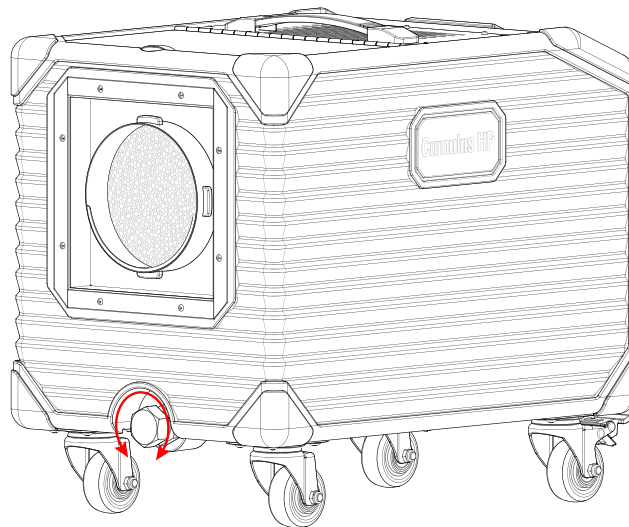


**Do not spin the blower fan using compressed air because it could be damaged.**

### Storage

Before storing the fog machine, run FCQ through the system as described in the cleaning procedure above; however, only follow steps 1 through 5. **Do not refill the tank with fog fluid if storing the Cumulus HP.**

In addition, drain the water reservoir by twisting the drain valve counterclockwise.



The next time the product is used, make sure to close the drain valve before filling the water reservoir. Cleaning the system prior to storage will help prevent any particles from condensing inside the pump or heater while not in use.



**Test-run the Cumulus HP on a monthly basis to achieve the best performance.**

## 6. Technical Specifications

### Dimensions and Weight

Length	Width	Height	Weight
18.3 in (464 mm)	11.9 in (304 mm)	16.08 in (408.5 mm)	34.6 lb (15.7 kg)

**Note:** Dimensions in inches are rounded.

### Power

Power Supply Type	Range	Voltage Selection
Model-specific	120 VAC, 60 Hz or 230 VAC, 50 Hz	Fixed
Parameter	120 V, 60 Hz	230 V, 50 Hz
Consumption	1608 W	1541 W
Operating Current	13.4 A	6.7 A
Breaker	15 A, 250 V	15 A, 250 V
Power I/O	U.S./Worldwide	UK/Europe
Power input connector	powerCON compatible	powerCON compatible
Power cable plug	Edison (U.S.)	Local Plug

### Operation

Heat-Up Time	Fog Output	Hose Diameter	Hose Length
2 min	15,000 cfm	4.8 in (123 mm)	14–126 in (35–320 cm)
Fog Fluid Capacity	Fog Fluid Consumption	Water Capacity	Water Consumption
0.5 gal (2 l)	11 ml/min	2 gal (7.5 l)	87 ml/min

### Thermal

Maximum External Temperature	Cooling System
104 °F (40 °C)	Convection

### DMX

I/O Connector	Channel Range
3-pin XLR	2

### Ordering

Product Name	Item Code	UPC Number
Cumulus HP (120 V)	05072199	781462225476
Cumulus HP (230 V)	05072201	781462225490



## Contact Us

General Information	Technical Support
<b>Chauvet World Headquarters</b>	
Address: 3360 Davie Rd., Suite 509 Davie, FL 33314 Voice: (954) 577-4455 Fax: (954) 929-5560 Toll Free: (800) 762-1084	Voice: (844) 393-7575 Fax: (954) 756-8015 Email: <a href="mailto:chauvetcs@chauvetlighting.com">chauvetcs@chauvetlighting.com</a>  Website: <a href="http://www.chauvetdj.com">www.chauvetdj.com</a>
<b>Chauvet U.K.</b>	
Address: Pod 1 EVO Park Little Oak Drive, Sherwood Park Nottinghamshire, NG15 0EB UK Voice: +44 (0) 1773 511115 Fax: +44 (0) 1773 511110	Email: <a href="mailto:UKtech@chauvetlighting.eu">UKtech@chauvetlighting.eu</a>  Website: <a href="http://www.chauvetdj.eu">www.chauvetdj.eu</a>
<b>Chauvet Benelux</b>	
Address: Stokstraat 18 9770 Kruishoutem Belgium Voice: +32 9 388 93 97	Email: <a href="mailto:BNLtech@chauvetlighting.eu">BNLtech@chauvetlighting.eu</a>  Website: <a href="http://www.chauvetdj.eu">www.chauvetdj.eu</a>
<b>Chauvet France</b>	
Address: 3, Rue Ampère 91380 Chilly-Mazarin France Voice: +33 1 78 85 33 59	Email: <a href="mailto:FRtech@chauvetlighting.fr">FRtech@chauvetlighting.fr</a>  Website: <a href="http://www.chauvetdj.eu">www.chauvetdj.eu</a>
<b>Chauvet Germany</b>	
Address: Bruno-Bürgel-Str. 11 28759 Bremen Germany Voice: +49 421 62 60 20	Email: <a href="mailto:DEtech@chauvetlighting.de">DEtech@chauvetlighting.de</a>  Website: <a href="http://www.chauvetdj.eu">www.chauvetdj.eu</a>
<b>Chauvet Mexico</b>	
Address: Av. de las Partidas 34 - 3B (Entrance by Calle 2) Zona Industrial Lerma Lerma, Edo. de México, CP 52000 Voice: +52 (728) 690-2010	Email: <a href="mailto:servicio@chauvet.com.mx">servicio@chauvet.com.mx</a>  Website: <a href="http://www.chauvetdj.mx">www.chauvetdj.mx</a>

## Warranty & Returns

For warranty terms and conditions and return information, please visit our website.

For customers in the United States and Mexico: [www.chauvetlighting.com/warranty-registration](http://www.chauvetlighting.com/warranty-registration).

For customers in the United Kingdom, Republic of Ireland, Belgium, the Netherlands, Luxembourg, France, and Germany: [www.chauvetlighting.eu/warranty-registration](http://www.chauvetlighting.eu/warranty-registration).