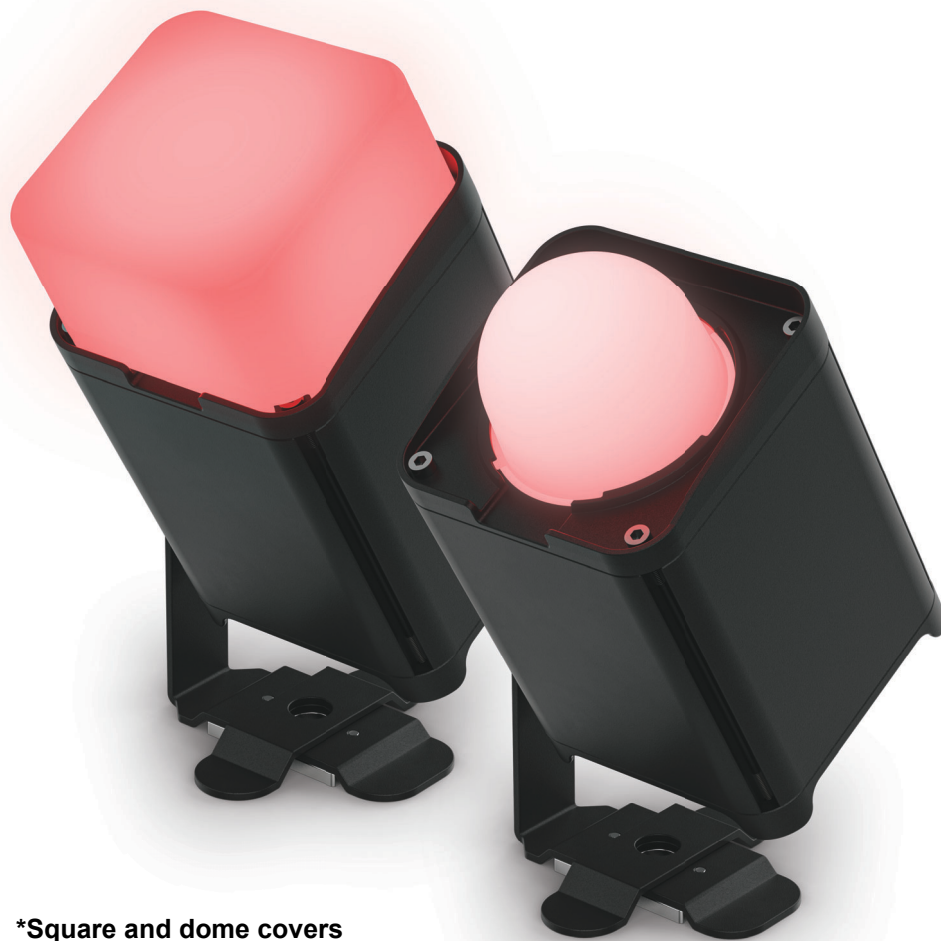


FREEDOM
H1 IP x4
FREEDOM
H1 IP x4 ACY
User Manual



*Square and dome covers
sold separately


CHAUVET **3**

Edition Notes

The Freedom H1 IP X4 and Freedom H1 IP X4 ACY User Manual includes a description, safety precautions, installation, programming, operation, and maintenance instructions for the Freedom H1 IP X4 and Freedom H1 IP X4 ACY as of the release date of this edition.

Trademarks

Chauvet, Chauvet DJ, the Chauvet logo, and Freedom H1 IP are registered trademarks or trademarks of Chauvet & Sons, LLC (d/b/a Chauvet and Chauvet Lighting) in the United States and other countries. Other company and product names and logos referred to herein may be trademarks of their respective companies.

Copyright Notice

The works of authorship contained in this manual, including, but not limited to, all designs, text, and images are owned by Chauvet.

© Copyright 2025 Chauvet & Sons, LLC. All rights reserved.

Electronically published by Chauvet in the United States of America.

Manual Use

Chauvet authorizes its customers to download and print this manual for professional information purposes only. Chauvet expressly prohibits the usage, copy, storage, distribution, modification, or printing of this manual or its content for any other purpose without written consent from Chauvet.

Document Printing

For best results, print this document in color, on letter size paper (8.5 x 11 in), double-sided. If using A4 paper (210 x 297 mm), configure the printer to scale the content accordingly.

Intended Audience

Any person installing, operating, and/or maintaining this product should completely read through the guide that shipped with the product, as well as this manual, before installing, operating, or maintaining this product.

Disclaimer

Chauvet believes that the information contained in this manual is accurate in all respects. However, Chauvet assumes no responsibility and specifically disclaims any and all liability to any party for any loss, damage, or disruption caused by any errors or omissions in this document, whether such errors or omissions result from negligence, accident, or any other cause. Chauvet reserves the right to revise the content of this document without any obligation to notify any person or company of such revision; however, Chauvet has no obligation to make, and does not commit to make, any such revisions.

Document Revision

Go to www.chauvetdj.com for the latest version.

Revision	Date	Description
1	12/2025	Initial release.

TABLE OF CONTENTS

1. Before You Begin	1
What Is Included	1
Freedom H1 IP X4	1
Freedom H1 IP X4 ACY	1
Unpacking Instructions.....	1
Claims	1
Text Conventions	1
Symbols	1
Safety Notes.....	2
Battery Charge Notes.....	3
FCC Statement of Compliance	3
RF Exposure Warning for North America and Australia.....	3
2. Introduction.....	4
Product Overview.....	4
Product Dimensions.....	5
3. Setup.....	6
Battery Power.....	6
Charging the Battery.....	6
Battery Life Indicator.....	6
Battery Run Time.....	6
Mounting	7
Orientation.....	7
Rigging	7
4. Operation.....	8
Control Panel Operation.....	8
Menu Map	8
DMX Configuration.....	11
Starting Address.....	11
DMX Personalities.....	11
D-Fi Compatibility.....	11
D-Fi Configuration	11
DMX Channel Assignments and Values	12
DMX Charts.....	12
Standalone Configuration.....	13
Fixed Color	13
Auto Show	13
Speed	13
Program Mode.....	13
Manual Color	13
Dimmer Mode.....	14
DMX Loss.....	14
Back Light	14
Factory Reset.....	14
D-Fi Master/Slave Mode	15
ILS Mode.....	15
RFC Remote Control.....	16
RFC Remote Binding	16
RFC Remote Grouping	16
RFC Remote Control Operation	17
RFC-XL Remote Control Operation	18
5. Maintenance.....	19
Product Maintenance	19

6. Technical Specifications	20
Contact Us	21
Warranty & Returns.....	21

Before You Begin

1. Before You Begin

What Is Included

Freedom H1 IP X4

- Freedom H1 IP x4
- Multi-charger
- Carry case
- RF remote
- Quick Reference Guide

Freedom H1 IP X4 ACY

- Round domes x4
- Square covers x4
- Light filters x4
- White sleeves x4

Unpacking Instructions

Carefully unpack the product immediately and check the container to make sure all the parts are in the package and are in good condition.

Claims





If the box or the contents (the product and included accessories) appear damaged from shipping, or show signs of mishandling, notify the carrier immediately, not Chauvet. Failure to report damage to the carrier immediately may invalidate a claim. In addition, keep the box and contents for inspection.

For other issues, such as missing components or parts, damage not related to shipping, or concealed damage, file a claim with Chauvet within 7 days of delivery.

Text Conventions

Convention	Meaning
1–512	A range of values
50/60	A set of values of which only one can be chosen
Settings	A menu option not to be modified
<ENTER>	A key to be pressed on the product's control panel
ON	A value to be entered or selected

Symbols

Symbol	Meaning
	Electrical warning. Not following these instructions may cause electrical damage to the product, accessories, or the user.
	Critical installation, configuration, or operation information. Not following these instructions may make the product not work, cause damage to the product, or cause harm to the operator.
	Important installation or configuration information. The product may not function correctly if this information is not used.
	Useful information.

Safety Notes

These Safety Notes include important information about installation, use, and maintenance of the Freedom H1 IP X4.



- **ALWAYS:**
 - ◆ Connect to a grounded circuit.
 - ◆ Connect to operating voltages as specified on the product's spec sticker.
 - ◆ Disconnect from its power source during periods of inactivity.
 - ◆ Use a safety cable when suspending overhead.
 - ◆ Heed all restrictions and warnings on the spec sticker.
 - ◆ Mount in a location with at least 20 in (50 cm) of ventilation.
 - ◆ Use a clamp with a captive bolt when a single hanging bracket is used.



- In the event of a serious operating problem, stop using immediately.
- **DO NOT:**
 - ◆ Open this product or attempt any repairs. It contains no user-serviceable parts.
 - ◆ Look at the light source when the product is on.
 - ◆ Use if the power cable is crimped or damaged.
 - ◆ Disconnect by pulling on the power cable.
 - ◆ Allow flammable materials close to the product when it is operating.
 - ◆ Touch the housing when it is on.
 - ◆ Block any ventilation holes/slots in the housing.
 - ◆ Connect to a dimmer or rheostat.
 - ◆ Carry the product by its power cable.
 - ◆ Operate in temperatures higher than 113°F (45°C).
 - ◆ Expose to environments that exceed the Ingress Protection (IP) rating.
 - ◆ Submerge.
 - ◆ Leave outdoors for extended periods of time.
 - ◆ Expose to corrosive environmental conditions such as temperature, humidity, salinity, pressure, radiation, or shock.
 - ◆ Set this product on a flammable surface.



Keep this User Manual for future use. If the product is sold to someone else, be sure that they also receive this document.

Battery Charge Notes

Rechargeable lithium-ion batteries are potentially hazardous and can present a serious FIRE HAZARD, SERIOUS INJURY and/or PROPERTY DAMAGE if damaged, defective, or improperly used.



- **ALWAYS:**
 - ◆ Charge using a manufacturer-provided charger while the product is powered off.
 - ◆ Charge the battery in temperatures between 32°-95°F (0°-35°C).
 - ◆ Allow a depleted battery to charge for a few minutes before turning on the product. If the battery is completely discharged, the device cannot be turned on immediately when the charger is connected.
 - ◆ Keep at least 3 ft (1 m) distance to any heat source and away from flammable materials.
 - ◆ Keep the lid of any charging case open while charging.
 - ◆ Keep batteries away from children.
 - ◆ Store batteries between 40-60% charge.
 - ◆ Follow local regulations when disposing of batteries.
 - ◆ Replace with an authentic Chauvet battery.
- **DO NOT:**
 - ◆ Continue charging if the battery becomes hot, smokes, swells, or gives off an odor during charging.
 - ◆ Leave the product unattended while charging.
 - ◆ Deplete the battery below 10%.
 - ◆ Charge the battery in a closed container.
 - ◆ Charge for more than 24 hours.

FCC Statement of Compliance

This device complies with Part 15 Part B of the FCC rules. Operation is subject to the following two conditions:

1. This device may not cause harmful interference, and
2. This device must accept any interference received, including interference that may cause undesired operation.

This equipment has been tested and found to comply with the limits for a Class B digital device, pursuant to Part 15 of the FCC Rules. These limits are designed to provide reasonable protection against harmful interference in a residential installation. This equipment generates uses and can radiate radio frequency energy and, if not installed and used in accordance with the instructions, may cause harmful interference to radio communications. However, there is no guarantee that interference will not occur in a particular installation. If this equipment does cause harmful interference to radio or television reception, which can be determined by turning the equipment off and on, the user is encouraged to try to correct the interference by one or more of the following measures:

- Reorient or relocate the receiving antenna.
- Increase the separation between the equipment and receiver.
- Connect the equipment into an outlet on a circuit different from that to which the receiver is connected.
- Consult the dealer or an experienced radio/TV technician for help.

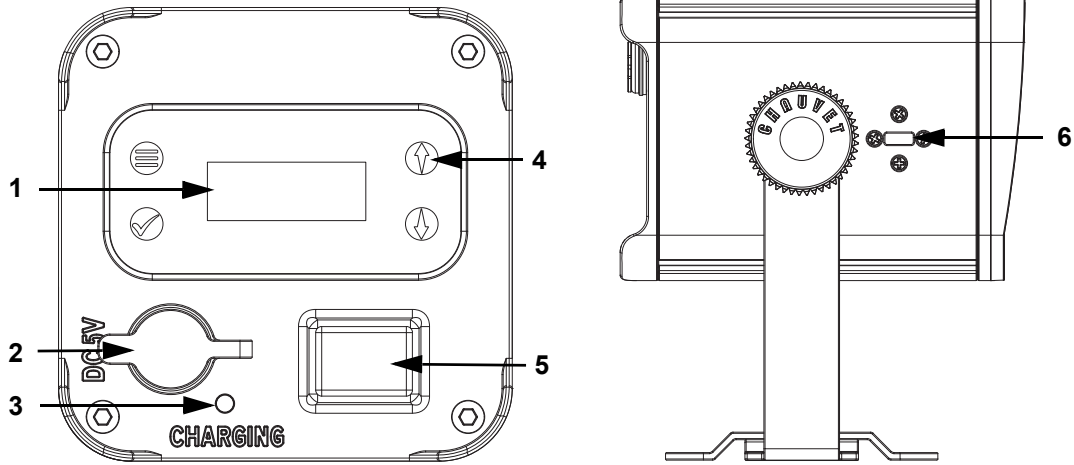
Any changes or modifications not expressly approved by the party responsible for compliance could void the user's authority to operate the equipment.

RF Exposure Warning for North America and Australia

Warning! This equipment complies with FCC radiation exposure limits set forth for an uncontrolled environment. This equipment should be installed and operated with a minimum distance of 20 cm between the radiator and the user. This transmitter must not be co-located or operating in conjunction with any other antenna or transmitter.

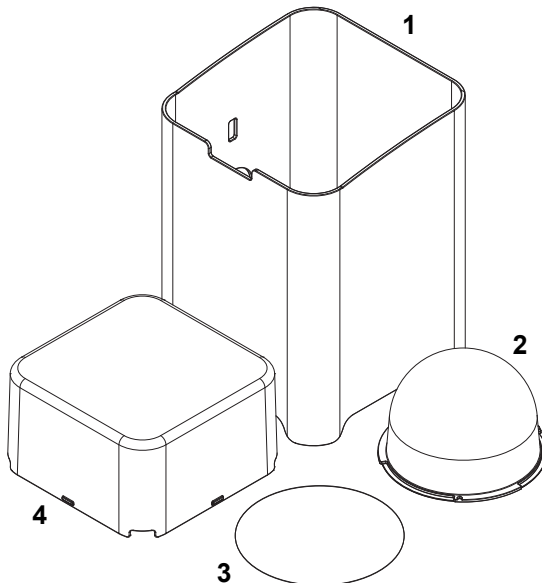
2. Introduction

Product Overview



Freedom H1 IP X4

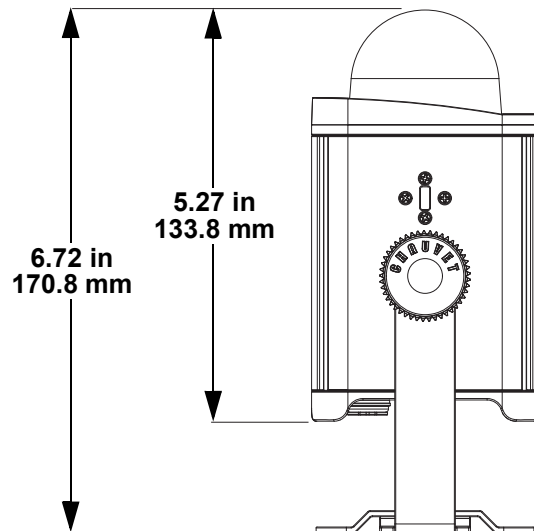
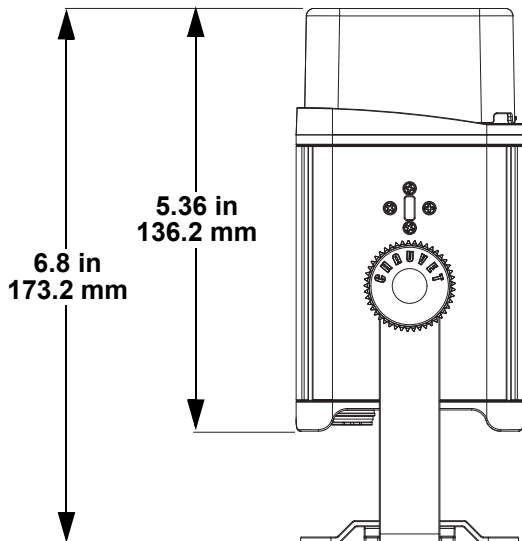
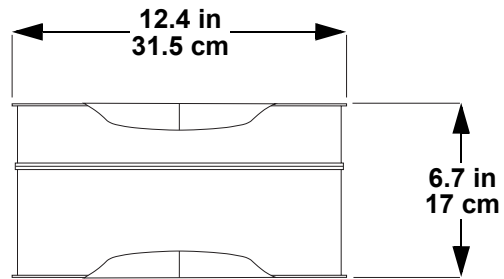
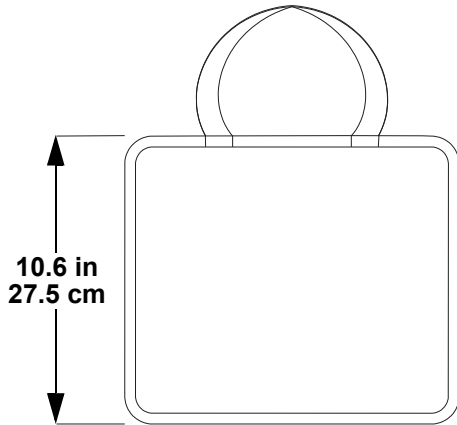
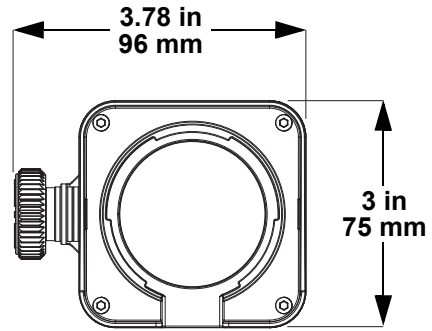
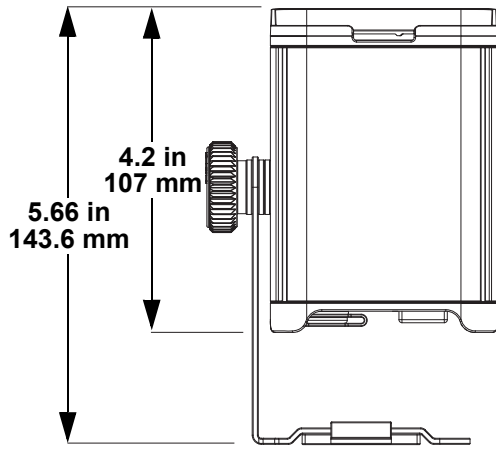
#	Name	#	Name
1	OLED Display	4	Menu buttons
2	Charging port	5	Power on/off
3	Charging indicator	6	Kensington security slot



Freedom H1 IP X4 ACY

#	Name
1	White sleeve
2	Round dome
3	Light filter
4	Square cover

Product Dimensions



3. Setup

Battery Power

The Freedom H1 IP X4 comes with a rechargeable lithium battery for cable-free operation.

Charging the Battery

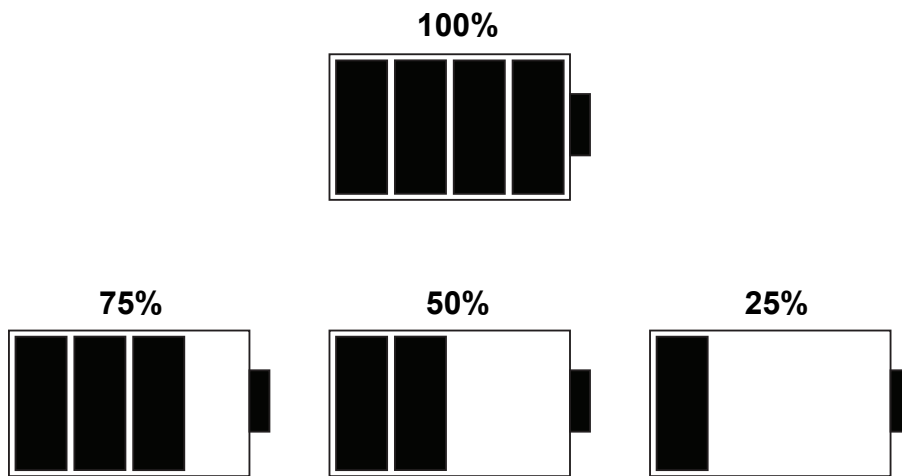
The battery charges whenever the Freedom H1 IP X4 is plugged into a power source using the included power cable. If the product is plugged in and not in operation, make sure the product is turned off.



- Before charging the product, read and follow the [Battery Charge Notes](#).
- The LED indicator light will flash if units are overcharged.
- **DO NOT** use the Freedom H1 IP X4 on full power mode (all LEDs at 100%) while being charged/plugged into a power source, as the unit will get extremely hot.

Battery Life Indicator

The indicators on the LCD menu display show how much battery life remains available. The drawing below provides a key to reading the battery life indicators.



Battery Run Time

Maximum Run Time (all colors on)	Maximum Run Time (single color on)	Recharge Time
Up to 8 hours	Up to 20 hours	6 hours

Mounting

Before mounting the product, read and follow the safety recommendations indicated in the [Safety Notes](#).

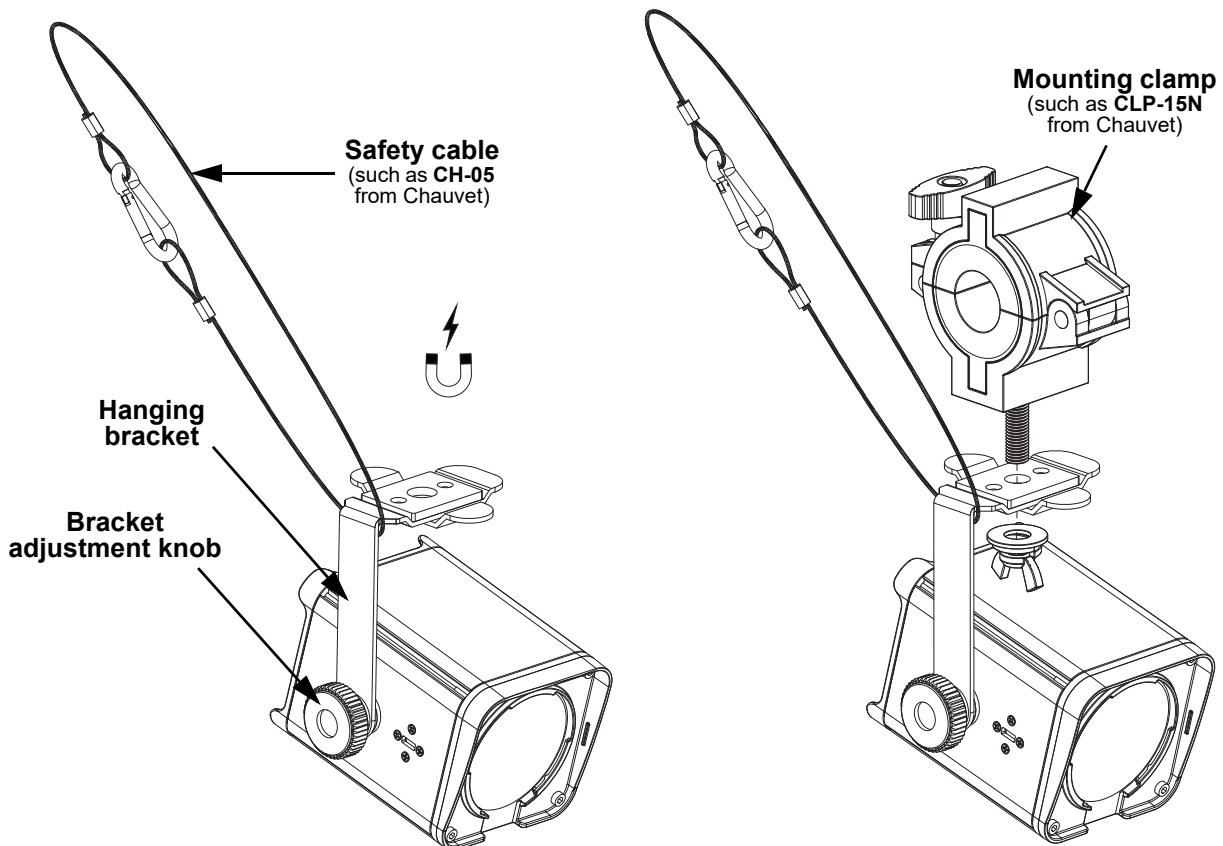
Orientation

The Freedom H1 IP X4 may be mounted in any position; however, make sure adequate ventilation is provided around the product.

Rigging

- Before deciding on a location for the product, always make sure there is easy access to the product for maintenance and programming.
- Make sure that the structure and attachment points can support the weight before hanging the product (see the [Technical Specifications](#) section for weight information).
- When mounting the product overhead, always use a safety cable. Mount the product securely to a rigging point, such as an elevated platform or a truss.
- When rigging the product onto a truss, use a mounting clamp of appropriate weight capacity. The bracket has a 10-mm hole, which is appropriate for this purpose.
- The bracket adjustment knobs allow for directional adjustment when aiming the product to the desired angle. Only loosen or tighten the bracket knobs manually. Using tools could damage the knobs.

Mounting Diagram







To prevent accidental loosening when using a single mounting clamp, be sure to use a clamp with a captive bolt.

4. Operation

Control Panel Operation

To access the control panel functions, use the four buttons located underneath the display. Please refer to the [Product Overview](#) to see the button locations on the control panel.

Button	Name	Function
	<Menu>	Exits the current menu or function
	<Enter>	Enables the currently displayed menu or sets a selected value into a function
	<Up>	Navigates upwards through the menu or increases the numeric value of a function
	<Down>	Navigates downwards through the menu or decreases the numeric value of a function

Menu Map

Refer to the Freedom H1 IP X4 product page on www.chauvetdj.com for the latest menu map and software.

Main Menu	Programming Levels	Description
ILS Mode	ILS 1	Sets ILS mode
	ILS 2	
	Slave	
Fixed Color	R	Selects a single static color or a combination of static colors
	G	
	B	
	A	
	W	
	UV	
	RG	
	RB	
	RA	
	RW	
	RUV	
	GB	
	GA	
	GW	
	GUV	
	BA	
	BW	
	BUV	
	AW	
	AUV	
	WUV	
	RGB	
	RGA	
	RGW	
	RGUV	
	RBA	
	RBE	
RBUV		
RAW		

Main Menu	Programming Levels		Description	
Fixed Color (cont.)	RAUV		Selects a single static color or a combination of static colors	
	RWUV			
	GBA			
	GBW			
	GBUV			
	GAW			
	GAUV			
	GWUV			
	BAW			
	BAUV			
	BWUV			
	AWUV			
	RGBA			
	RGBW			
	RGBUV			
	RGAW			
	RGAUV			
	RGWUV			
	RBAW			
	RBAUV			
	RBWUV			
	RAWUV			
	GBAW			
	GBAUV			
	RGWUV			
	GAWUV			
BAWUV				
RGBAW				
RBGAUV				
RGBWUV				
RBAWUV				
GBAWUV				
RGBAWUV				
Auto Show	Program	001–004	Selects an automatic program	
	Speed	001–100	Adjusts the speed of automatic programs	
	Program Mode	Fade		Selects fade or snap effects for automatic programs
		Snap		
Manual Color	Red	000–255	Combines red, green, blue, amber, white, and UV to make a custom color (0–100%)	
	Green	000–255		
	Blue	000–255		
	Amber	000–255		
	White	000–255		
	UV	000–255		
Dimmer Mode	OFF		Linear dimmer	
	Dimmer Fast		Sets dimmer curve speed	
	Dimmer Medium			
	Dimmer Slow			

Main Menu	Programming Levels		Description
DMX Loss	HOLD		Holds the last setting when signal is lost
	BLACK		Blacks out the product when signal is lost
	AUTO		Sets the unit to Auto mode when signal is lost
Back Light	10S		Turns off display backlight after 10 seconds of inactivity
	30S		Turns off display backlight after 30 seconds of inactivity
	2Min		Turns off display backlight after 2 minutes of inactivity
	Always On		Display backlight remains on
RF Remote	RF Mode	OFF	Turns off RF reception
		Bind	Allows for control using only bound RF remote
		Public	Allows the fixture to respond to all RF signals
	RF Binding		Links the fixture to a single RF remote
	RF Group	1–4	Sets which group of fixture the RFC-XL remote will control
Factory Reset	No		Resets settings to factory default
	Yes		
Firmware Update	No		Allows for firmware update
	Yes		
DFI	DFI Mode	OFF	Deactivates D-Fi mode
		RX	Sets the product to receive D-Fi signal
		TX	Sets the product to transmit D-Fi signal
	DFI Channel	1–16	Sets D-Fi channel
DMX Address	001–507		Selects DMX starting address
DMX Personality	6 Ch		6-channel DMX mode
	8 Ch		8-channel DMX mode
	12 Ch		12-channel DMX mode

DMX Configuration

The Freedom H1 IP X4 works with a DMX controller when paired with a D-Fi transmitter such as the D-Fi Hub 2. Information about DMX is in the Chauvet DMX Primer, which is available from the Chauvet website chauvetlighting.com/downloads/DMX_Primer_rev05_WO.pdf.

Starting Address

The Freedom H1 IP X4 uses up to 12 DMX channels, which defines the highest configurable/recommended address to **501**.

When selecting a starting DMX address, always consider the number of DMX channels the DMX mode uses. If the starting address is set too high, access to some channels could be restricted.

For information about the DMX protocol, download the DMX Primer from www.chauvetdj.com.

To select the starting address:

1. Press **<MENU>**.
2. Use **<UP>** or **<DOWN>** to select **DMX Address**.
3. Press **<ENTER>**.
4. Use **<UP>** or **<DOWN>** to select the starting address, from **001–507**.
5. Press **<ENTER>**.

DMX Personalities

The Freedom H1 IP X4 has 3 DMX personalities: 6CH, 8CH, and 12CH.

To select which DMX personality to use:

1. Press **<MENU>**.
2. Use **<UP>** or **<DOWN>** to select **DMX Personality**.
3. Press **<ENTER>**.
4. Use **<UP>** or **<DOWN>** to select **6CH**, **8CH**, or **12CH**.
5. Press **<ENTER>**.

D-Fi Compatibility

The Freedom H1 IP X4 can receive a DMX signal from the D-Fi Hub and the FlareCON Air 2 as well as other D-Fi-compatible products.

D-Fi Configuration

The Freedom H1 IP X4 is able to become a D-Fi wireless receiver/transmitter. To set the product to receive or transmit a D-Fi signal:

1. Press **<MENU>**.
2. Use **<UP>** or **<DOWN>** to select **DFI**.
3. Press **<ENTER>**.
4. Use **<UP>** or **<DOWN>** to select **DFI Mode**.
5. Press **<ENTER>**.
6. Use **<UP>** or **<DOWN>** to select **Tx** (transmit) or **Rx** (receive). D-Fi reception can be disabled by selecting **OFF**.
7. Press **<ENTER>**.
8. Use **<UP>** or **<DOWN>** to select **DFI Channel**.
9. Press **<ENTER>**.
10. Use **<UP>** or **<DOWN>** to select a channel **1–16**.
11. Press **<ENTER>**.

DMX Channel Assignments and Values

DMX Charts

12CH	8CH	6CH	Function	Value	Percent/Setting
1	1	–	Dimmer	000 ⇔ 255	0–100%
2	2	1	Red	000 ⇔ 255	0–100%
3	3	2	Green	000 ⇔ 255	0–100%
4	4	3	Blue	000 ⇔ 255	0–100%
5	5	4	Amber	000 ⇔ 255	0–100%
6	6	5	White	000 ⇔ 255	0–100%
7	7	6	UV	000 ⇔ 255	0–100%
8	8	–	Strobe	000 ⇔ 010	No function
				011 ⇔ 255	Strobe, slow to fast
9	–	–	Color Macros	000 ⇔ 010	No function
				011 ⇔ 030	R:100% G:0–100% B:0% W:0%
				031 ⇔ 050	R:100–0% G:100% B:0% W:0%
				051 ⇔ 070	R:0% G:100% B:0–100% W:0%
				071 ⇔ 090	R:0% G:100%–0% B:100% W:0–100%
				091 ⇔ 110	R:0–100% G:0% B:100% W:100–0%
				111 ⇔ 130	R:100% G:0% B:100–0% W:0%
				131 ⇔ 150	R:100% G:0–100% B:100–0% W:0%
				151 ⇔ 170	R:100–0% G:100%–0% B:100% W:0–100%
				171 ⇔ 200	R:100% G:100% B:100% W:100%
				201 ⇔ 205	Color 1
				206 ⇔ 210	Color 2
				211 ⇔ 215	Color 3
				216 ⇔ 220	Color 4
				221 ⇔ 225	Color 5
				226 ⇔ 230	Color 6
231 ⇔ 235	Color 7				
236 ⇔ 240	Color 8				
241 ⇔ 250	Color 9				
251 ⇔ 255	Color 10				
10	–	–	Auto Programs	000 ⇔ 010	No function
				011 ⇔ 071	Auto program 1
				072 ⇔ 132	Auto program 2
				133 ⇔ 193	Auto program 3
				194 ⇔ 255	Auto program 4
11	–	–	Auto Speed (when Ch 10 is 011–255)	000 ⇔ 255	Auto program speed, slow to fast
12	–	–	Dimmer Speed Mode	000 ⇔ 051	Preset dimmer speed from display menu
				052 ⇔ 101	Dimmer speed mode off
				102 ⇔ 152	Dimmer speed mode 1 (fast)
				153 ⇔ 203	Dimmer speed mode 2 (medium)
				204 ⇔ 255	Dimmer speed mode 3 (slow)

Standalone Configuration

Set the product in one of the standalone modes to operate without a DMX controller.



Never connect a product that is operating in any standalone mode to receive a DMX string connected to a DMX controller. Products in standalone mode may transmit DMX signals that could interfere with the DMX signals from the controller.

Fixed Color

To run the Freedom H1 IP X4 with a fixed color:

1. Press **<MENU>**.
2. Use **<UP>** or **<DOWN>** to select **Fixed Color**.
3. Press **<ENTER>**.
4. Use **<UP>** or **<DOWN>** to select a fixed color from the menu.
5. Press **<ENTER>**.

Auto Show

To run the Freedom H1 IP X4 with an automatic program:

1. Press **<MENU>**.
2. Use **<UP>** or **<DOWN>** to select **Auto Show**.
3. Press **<ENTER>**.
4. Use **<UP>** or **<DOWN>** to select **Program**.
5. Press **<ENTER>**.
6. Use **<UP>** or **<DOWN>** to select an auto program **001–004**.
7. Press **<ENTER>**.

Speed

To set the speed of an automatic program:

1. Press **<MENU>**.
2. Use **<UP>** or **<DOWN>** to select **Auto Show**.
3. Press **<ENTER>**.
4. Use **<UP>** or **<DOWN>** to select **Speed**.
5. Press **<ENTER>**.
6. Use **<UP>** or **<DOWN>** to increase or decrease the auto program speed from **001–100**, or slowest to fastest.
7. Press **<ENTER>**.

Program Mode

To set the transition effect of an automatic program:

1. Press **<MENU>**.
2. Use **<UP>** or **<DOWN>** to select **Auto Show**.
3. Press **<ENTER>**.
4. Use **<UP>** or **<DOWN>** to select **Program Mode**.
5. Press **<ENTER>**.
6. Use **<UP>** or **<DOWN>** to select **Fade** or **Snap**.
7. Press **<ENTER>**.

Manual Color

To run the Freedom H1 IP X4 with a custom static color:

1. Press **<MENU>**.
2. Use **<UP>** or **<DOWN>** to select **Manual Color**.
3. Press **<ENTER>**.
4. Press **<UP>** or **<DOWN>** to cycle through the options: **Red, Green, Blue, Amber, White, or UV**.
5. Press **<ENTER>**.
6. Use **<UP>** or **<DOWN>** to increase or decrease the selected value from **000–255**.
7. Press **<ENTER>**.
8. Repeat steps 4-7 until the product output is set as desired.

Dimmer Mode

To set the dimmer mode for the Freedom H1 IP X4:

1. Press **<MENU>**.
2. Use **<UP>** or **<DOWN>** to select **Dimmer Mode**.
3. Press **<ENTER>**.
4. Press **<UP>** or **<DOWN>** to select from **OFF** (linear dimmer), **Dimmer Fast**, **Dimmer Medium**, or **Dimmer Slow**.
5. Press **<ENTER>**.

DMX Loss

To control the default response if a DMX signal is lost:

1. Press **<MENU>**.
2. Use **<UP>** or **<DOWN>** to select **DMX Loss**.
3. Press **<ENTER>**.
4. Press **<UP>** or **<DOWN>** to select from **HOLD** (hold last setting), **BLACK** (blackout fixture), or **AUTO** (run auto program).
5. Press **<ENTER>**.

Back Light

To select how long the display can remain inactive before turning off:

1. Press **<MENU>**.
2. Use **<UP>** or **<DOWN>** to select **Back Light**.
3. Press **<ENTER>**.
4. Press **<UP>** or **<DOWN>** to select the back light timer: **10S** (10 seconds), **30S** (30 seconds), **2Min** (2 minutes), or **Always On**.
5. Press **<ENTER>**.

Factory Reset

To perform a reset to factory default settings:

1. Press **<MENU>**.
2. Use **<UP>** or **<DOWN>** to select **Factory Reset**.
3. Press **<ENTER>**.
4. Press **<UP>** or **<DOWN>** to select **No** (cancel) or **Yes** (reset).
5. Press **<ENTER>**.

D-Fi Master/Slave Mode

The D-Fi USB allows a single Freedom H1 IP X4 product (the “master”) to control the actions of one or more Freedom H1 IP X4 products (the “slaves”) without the need of a DMX controller or DMX cables. The master (transmitter) product will be set to operate in standalone mode, while the slave (receiver) products will be set to operate in slave mode. Once set and connected, the slave products will operate in unison with the master product.

Configure the products as indicated below.

Slave products:

1. Set all slave products to receive a D-Fi signal by following the [D-Fi Configuration](#) instructions.
2. Press **<MENU>**.
3. Use **<UP>** or **<DOWN>** to select **Slave**.
4. Press **<ENTER>** to enter the Slave sub-menu.
5. Press **<ENTER>** to set the product into Slave Mode.

Master product:

1. Set the master product to transmit a D-Fi signal on the same channel as the slaves by following the [D-Fi Configuration](#) instructions.
2. Set the master product to operate in a standalone mode or with a wireless remote.



- **All products must be set to the same DMX personality, DMX address, and D-Fi channel.**
- **Configure all the slave products before configuring the master to transmit.**
- **Never connect a DMX controller to a D-Fi channel configured for Master/Slave operation because the controller may interfere with the signals from the master.**

ILS Mode

ILS (Integrated Lighting System) provides 2 modes that synchronize with the GigBAR MOVE+ILS: Modes 1 synchronizes with side 1 of the GigBAR MOVE+ILS and mode 2 synchronizes with side 2 of the GigBAR MOVE+ILS. When linked, effects will sync with the most similar effect on the selected side of the GigBAR MOVE+ILS: Kinta effects will sync with one of the kintas, moving heads will sync with one of the moving heads, and wash effects will sync with one of the pars. Laser effects will sync with the laser, and strobe effects will sync with the strobe effects regardless of ILS mode.

This product will synchronize with the wash and strobe effects on the selected side of the GigBAR MOVE+ILS.

To set the Freedom H1 IP X4 to respond to an ILS signal:

1. Press **<MENU>**.
2. Use **<UP>** or **<DOWN>** to select **ILS Mode**.
3. Press **<ENTER>**.
4. Use **<UP>** or **<DOWN>** to select **ILS1** or **ILS2**.
5. Press **<ENTER>**.

RFC Remote Control

The Freedom H1 IP X4 can be operated with an RFC remote or an RFC-XL remote (sold separately).



For more information about using an RFC or RFC-XL remote, download the user manuals from www.chauvetdj.com

RFC Remote Binding

To enable RF control, the product must bind to the RFC/RFC-XL. To bind the Freedom H1 IP X4 to an RFC/RFC-XL, follow the instructions below:

1. Press **<MENU>**.
2. Use **<UP>** or **<DOWN>** to select **RF Remote**.
3. Press **<ENTER>**.
4. Use **<UP>** or **<DOWN>** to select **RF Mode**.
5. Press **<ENTER>**.
6. Use **<UP>** or **<DOWN>** to select **Bind**.
7. Press **<ENTER>**.
8. Use **<UP>** or **<DOWN>** to select **RF Binding**.
9. Press and hold **<BLACK OUT>** on the RFC/RFC-XL until it blinks to link the fixture to that RF remote.

RFC Remote Grouping

The RFC-XL can control multiple products at once in defined groups. To set the Freedom H1 IP X4 to an RFC-XL group:

1. Press **<MENU>**.
2. Use **<UP>** or **<DOWN>** to select **RF Remote**.
3. Press **<ENTER>**.
4. Use **<UP>** or **<DOWN>** to select **RF Group**.
5. Press **<ENTER>**.
6. Use **<UP>** or **<DOWN>** to select an RF group from **1–4**.
7. Press **<ENTER>**.

RFC Remote Control Operation

RFC	Button	Function
	<BLACK OUT>	Press to turn off all lights until the button is pressed again
	<STROBE>	Press to toggle strobe, then use <+> or <-> to increase or decrease strobe speed
	<DIMMER>	Press then use <+> or <-> to increase or decrease the dimmer
	<AUTO>	Press to activate automatic mode, then use <+> or <-> to select a program
	<SPD/SENS>	Press then use <+> or <-> to increase or decrease speed or sensitivity
	<->	Press to decrease speed, dimmer, color value, or to scroll down the list of programs
	<+>	Press to increase speed, dimmer, color value, or to scroll up the list of programs
	<FREEZE>	Press to stop all movement and color chasing
	<R>	In manual mode, press then use <+> or <-> to increase or decrease the red value
	<G>	In manual mode, press then use <+> or <-> to increase or decrease the green value
		In manual mode, press then use <+> or <-> to increase or decrease the blue value
	<A>	In manual mode, press then use <+> or <-> to increase or decrease the amber value
	<W>	In manual mode, press then use <+> or <-> to increase or decrease the UV value
	<UV>	In manual mode, press then use <+> or <-> to increase or decrease the white value
	<FADE/SNAP>	Press to toggle between fade and snap programs
	<MANUAL>	Press to activate manual mode
	<PRESET/COLOR>	Press to activate presets/colors, then use <+> or <-> to select a preset/color



The RFC remote will not respond to any inputs when Freeze or Black Out is activated. If the remote does not respond when a button is pressed, try pressing <FREEZE> or <BLACK OUT>. Freeze or Black Out may have been inadvertently activated.

RFC-XL Remote Control Operation

RFC	Button	Function
	<ON/OFF>	Press to power the RFC-XL on or off
	Color picker	Use to select a color (does not correspond to colors printed on remote)
	<GROUP>	Press to cycle between groups 1–4 and public mode
	<BLACK OUT>	Press to turn off all lights until the button is pressed again
	<AUTO>	Press to activate automatic mode, then use <^> or <v> to select a program
	<FADE>	Press to toggle between fade and snap programs
	<SPEED/ SENSITIVITY>	Press then use <^> or <v> to increase or decrease speed or sensitivity
	<^>	Press to increase the selected value, or to scroll up the list of options
	<v>	Press to decrease the selected value, or to scroll down the list of options
	<STROBE>	Press to toggle strobe, then use <^> or <v> to increase or decrease strobe speed
	<DIMMER>	Press then use <^> or <v> to increase or decrease the dimmer
	<RED>	In manual mode, press then use <^> or <v> to increase or decrease the red value
	<GREEN>	In manual mode, press then use <^> or <v> to increase or decrease the green value
	<BLUE>	In manual mode, press then use <^> or <v> to increase or decrease the blue value
	<AMBER>	In manual mode, press then use <^> or <v> to increase or decrease the amber value
	<WHITE>	In manual mode, press then use <^> or <v> to increase or decrease the white value
	<UV>	Press then use <^> or <v> to increase or decrease the white value
	<FREEZE>	Press to stop all movement and color chasing



The RFC-XL remote will not respond to any inputs when Black Out is activated. If the remote does not respond when a button is pressed, try pressing <BLACK OUT>. You may have inadvertently activated Black Out.

5. Maintenance

Product Maintenance

Dust build-up reduces light output performance and can cause overheating. This can lead to reduction of the light source's life and/or mechanical wear. To maintain optimum performance and minimize wear, clean all lighting products at least twice a month. However, be aware that usage and environmental conditions could be contributing factors to increase the cleaning frequency.

To clean the product, follow the instructions below:

1. Unplug the product from power.
2. Wait until the product is at room temperature.
3. Use a vacuum (or dry compressed air) and a soft brush to remove dust collected on the external surface/vents.
4. Clean all transparent surfaces with a mild soap solution, ammonia-free glass cleaner, or isopropyl alcohol.
5. Apply the solution directly to a soft, lint free cotton cloth or a lens cleaning tissue.
6. Softly drag any dirt or grime to the outside of the transparent surface.
7. Gently polish the transparent surfaces until they are free of haze and lint.



Always dry the transparent surfaces carefully after cleaning them.

6. Technical Specifications

Dimensions and Weight

Freedom H1 IP

Length	Width	Height	Weight
3 in (75 mm)	3 in (75 mm)	4.2 in (107 mm)	1.6 lb (0.7 kg)

Carry Case

Length	Width	Height	Pack Weight
12.4 in (31.5 cm)	10.6 in (27.5 cm)	6.7 in (17 cm)	8.4 lb (3.81 kg)

Note: Dimensions in inches are rounded.

Power

Power Supply Type	Range
Switching (external multi-charger)	5VDC, 50/60 Hz

Parameter	120 V, 60 Hz	230 V, 50 Hz
Consumption	13 W	13 W
Operating Current	0.3 A	0.3 A

Battery Power

Capacity	Voltage	Watt Hours	Lithium Content
5200 mAh	7.4 VDC	38.48 Wh	6.24 g

Light Source

Type	Color	Quantity	Power	Current	Lifespan
LED	RGBWA+UV	1	10 W	3 A	50,000 hours

Photometrics

Beam Angle	Field Angle	Illuminance @ 2 m	Lumens
23°	44°	168 lux	137

Thermal

Maximum External Temperature	Cooling System
113 °F (45 °C)	Convection

Ordering

Product Name	Item Code	UPC Number
Freedom H1 IP X4	10032686	781462030340

Product Name	Item Code	UPC Number
Freedom H1 IP X4 ACY	10112717	781462230654



Contact Us

General Information	Technical Support
Chauvet World Headquarters	
Address: 3360 Davie Rd., Suite 509 Davie, FL 33314 Voice: (954) 577-4455 Fax: (954) 929-5560 Toll Free: (800) 762-1084	Voice: (844) 393-7575 Fax: (954) 756-8015 Email: chauvetcs@chauvetlighting.com Website: www.chauvetdj.com
Chauvet U.K.	
Address: Pod 1 EVO Park Little Oak Drive, Sherwood Park Nottinghamshire, NG15 0EB UK Voice: +44 (0) 1773 511115 Fax: +44 (0) 1773 511110	Email: UKtech@chauvetlighting.eu Website: www.chauvetdj.eu
Chauvet Benelux	
Address: Vaartlaan 9 9800 Deinze Belgium Voice: +32 9 388 93 97	Email: BNLtech@chauvetlighting.eu Website: www.chauvetdj.eu
Chauvet France	
Address: 3, Rue Ampère 91380 Chilly-Mazarin France Voice: +33 1 78 85 33 59	Email: FRtech@chauvetlighting.fr Website: www.chauvetdj.eu
Chauvet Germany	
Address: Bruno-Bürgel-Str. 11 28759 Bremen Germany Voice: +49 421 62 60 20	Email: DEtech@chauvetlighting.de Website: www.chauvetdj.eu
Chauvet Mexico	
Address: Av. de las Partidas 34 - 3B (Entrance by Calle 2) Zona Industrial Lerma Lerma, Edo. de México, CP 52000 Voice: +52 (728) 690-2010	Email: servicio@chauvet.com.mx Website: www.chauvetdj.mx

Warranty & Returns

For warranty terms and conditions and return information, please visit our website.

For customers in the United States and Mexico: www.chauvetlighting.com/warranty-registration.

For customers in the United Kingdom, Republic of Ireland, Belgium, the Netherlands, Luxembourg, France, and Germany: www.chauvetlighting.eu/warranty-registration.